



### DESCRIPTION

The RBE rackmount battery enclosure is designed expressly for 7-8 Ah batteries due to internal spacers.

RBE accommodates up to four (4) 12VDC 8 ampour batteries which can be connected in various configurations for either 12VDC or 24VDC applications.

### OVERVIEW

- Fits up to four (4) 12VDC 8 ampour batteries
- Can be configured for 12V, 24V, or simultaneous 12 and 24V use
- Internal self resetting PTC's for battery protection
- Quick connect terminals (wire gauge 14-20 AWG)
- Standard 2U EIA, 19" rack mount chassis
- Multiple units can be paralleled to increase battery capacity

### Rackmount Features

- ◆ Single or dual voltage battery backup from a single rack mount battery enclosure
- ◆ Removable terminal strips for ease of wiring and service
- ◆ Directly connects to any LSP RD power supply for charging
- ◆ Exterior positional jumpers for system configuration
- ◆ Individual battery protection
- ◆ Easy battery replacement
- ◆ Enclosure size -19" Rackmount 2U Depth = 14"

### ORDERING

Model No.	Description
RBE	Rackmount Battery Enclosure

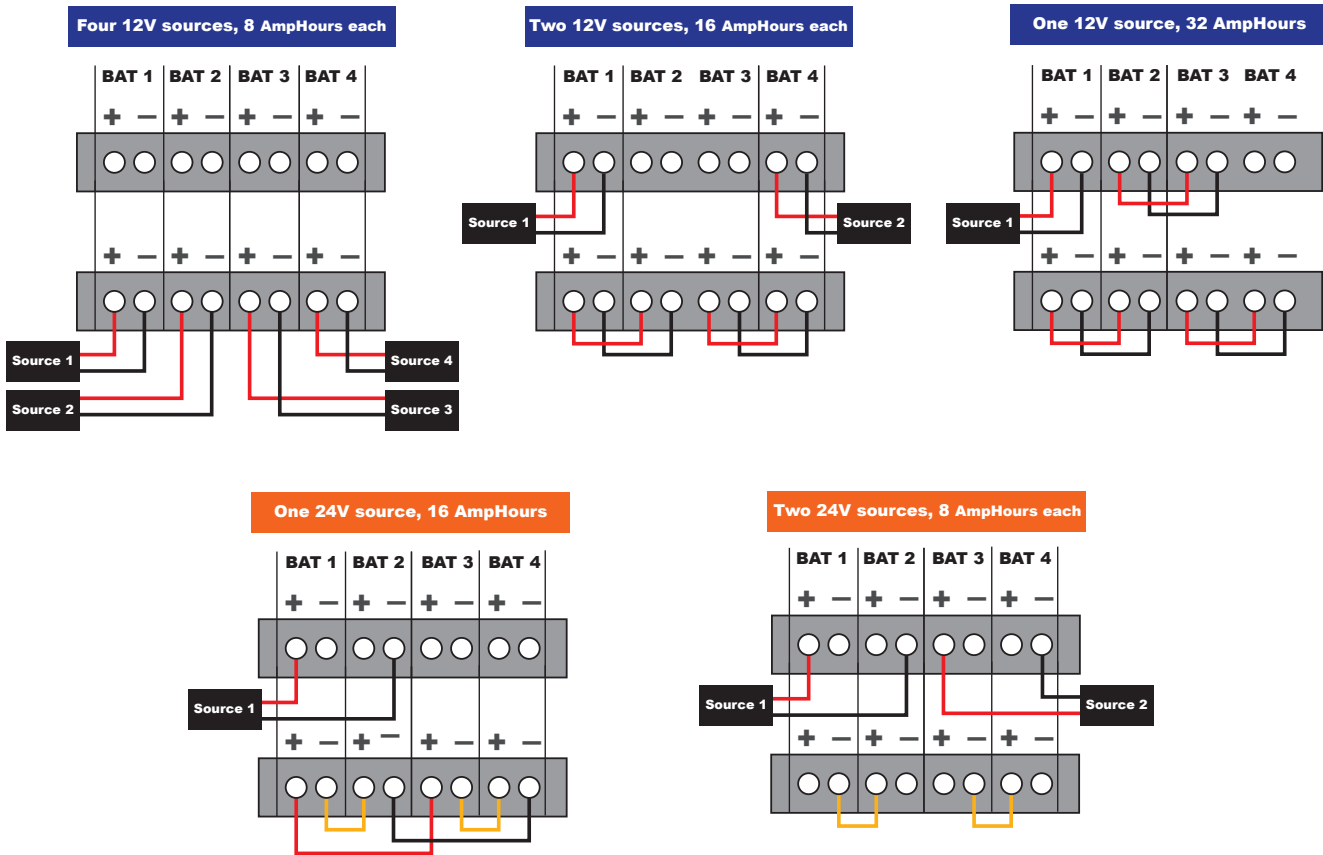
- ◆ Mounts typical 7 or 8 ampour batteries such as:
  - ◆ PowerSonic PS1270
  - ◆ PowerSonic PS1280
  - ◆ EnerSys NP7-12
  - ◆ B&B BP7-12
  - ◆ B&B BP7.5-12
  - ◆ B&B BP8-12

### CONFIGURATION OPTIONS

Battery 1	Battery 2	Battery 3	Battery 4	Available Output	Available Output	Battery 1, 2 Configuration	Battery 3, 4 Configuration
12V				12V@8Ah		NA	
12V	12V			12V@16Ah		Parallel	
12V	12V			24V@8Ah		Series	
12V	12V	12V		12V@24Ah		Parallel	
12V	12V	12V		12V@8Ah	24V@8Ah	NA	Series
12V	12V	12V	12V	12V@32Ah		Parallel	
12V	12V	12V	12V	24V@16Ah		Series	Series
12V	12V	12V	12V	24V@16Ah		Parallel	
12V	12V	12V	12V	12V@16Ah	24V@8Ah	Parallel	Series

## MOUNTING

Connect jumpers as shown on lower terminal strip to configure batteries.  
Batteries are protected by an internal 9 ampere PTC.



**Worldwide Headquarters**  
**LifeSafety Power, Inc.**  
 750 Tower Road, Unit B  
 Mundelein, IL 60060 USA  
 PH 888-577-2898  
 info@lifesafetypower.com

**Important:** All information, including illustrations, is believed to be reliable. Users, however, should independently evaluate the suitability of each product for their particular application. LifeSafety Power makes no warranties as to the accuracy or completeness of the information, and disclaims any liability regarding its use. LifeSafety Power's only obligations are those in the LifeSafety Power Standard Terms and Conditions of Sale for this product, and in no case will LifeSafety Power or its distributors be liable for any incidental, indirect, or consequential damages arising from the sale, resale, use, or misuse of the product. Specifications are subject to change without notice. In addition, LifeSafety Power reserves the right to make changes—without notification to Buyer—to processing or materials that do not affect compliance with any applicable specification.