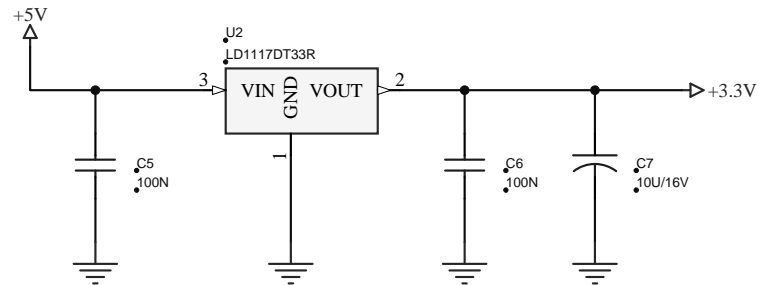
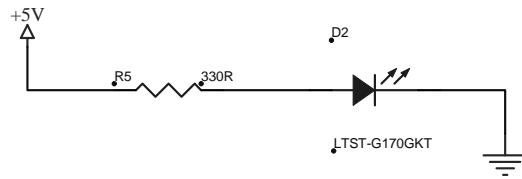
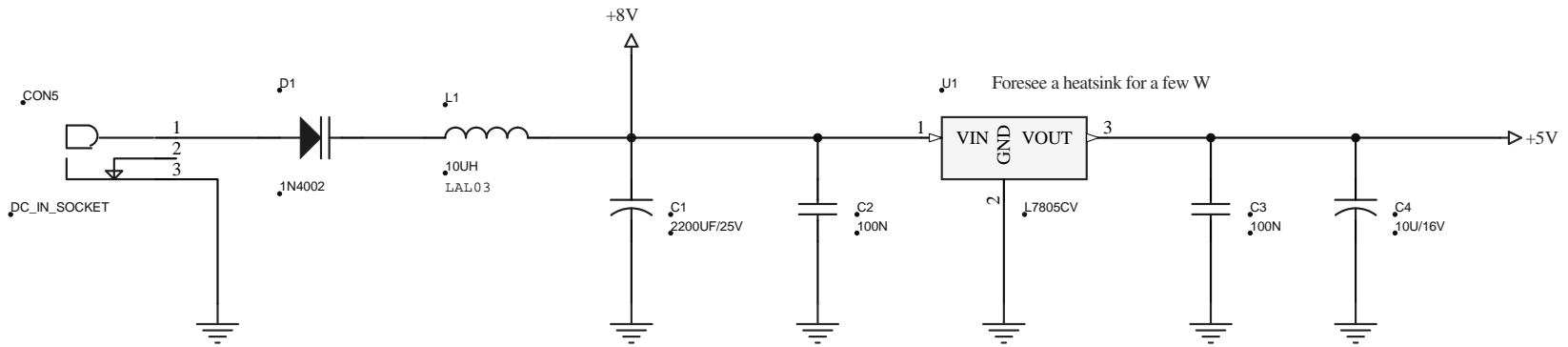
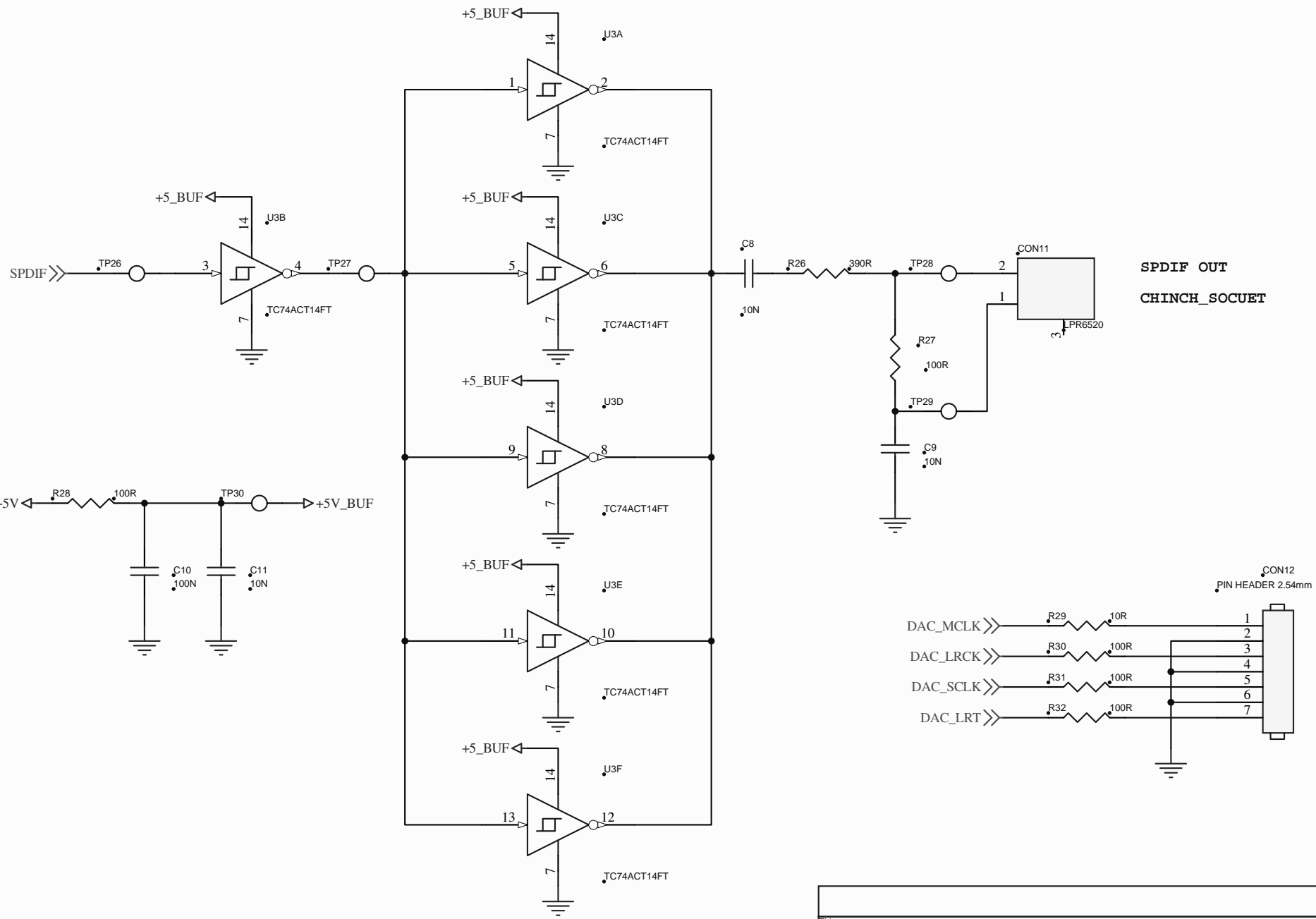


9V_DC_IN



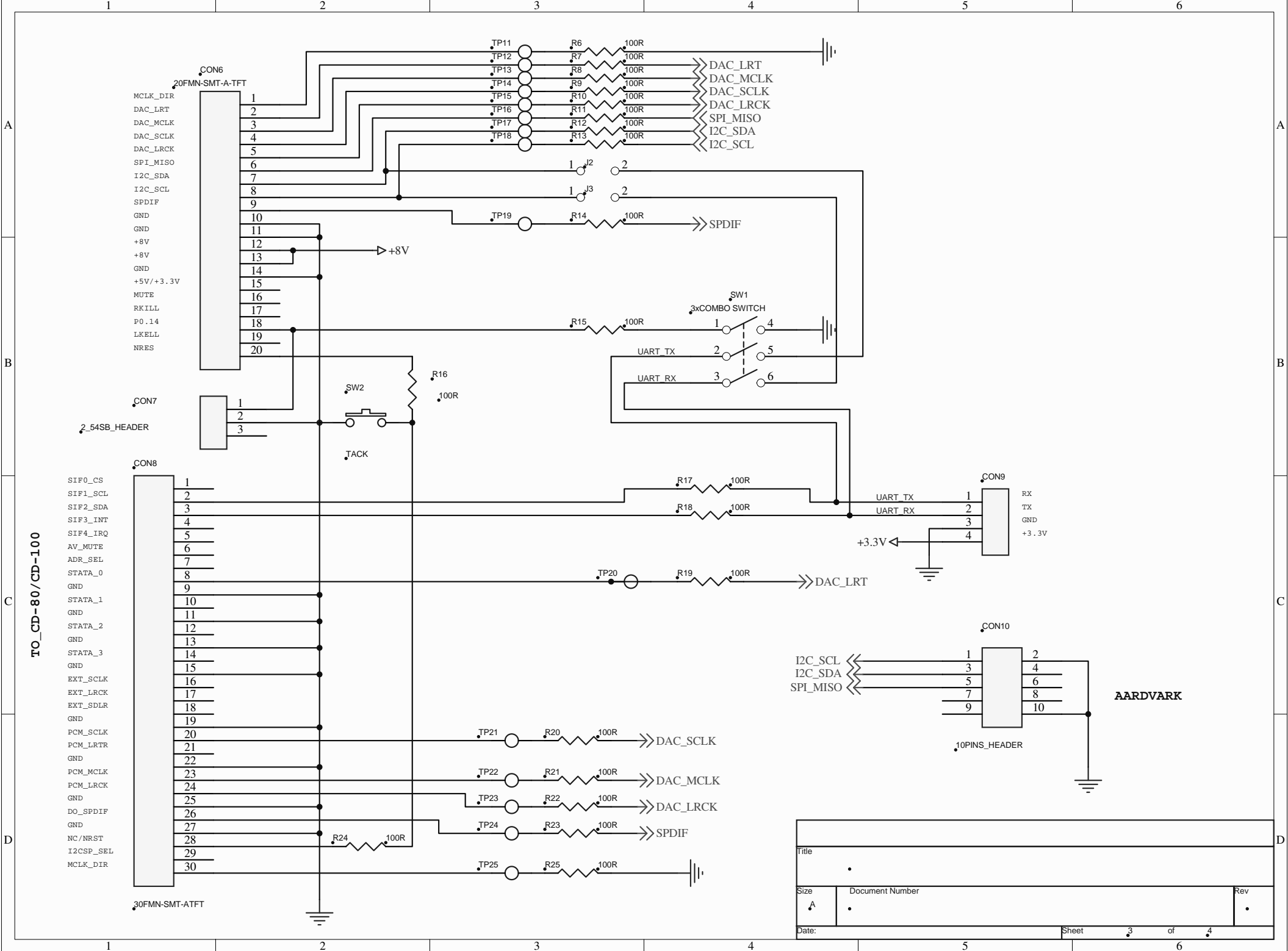
Title		
•		
Size	Document Number	Rev
A	•	•
Date:	Sheet 2	of 4



SPDIF OUT
CHINCH_SOUJET

CON12
PIN HEADER 2.54mm

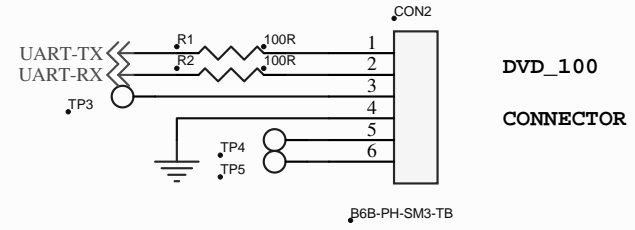
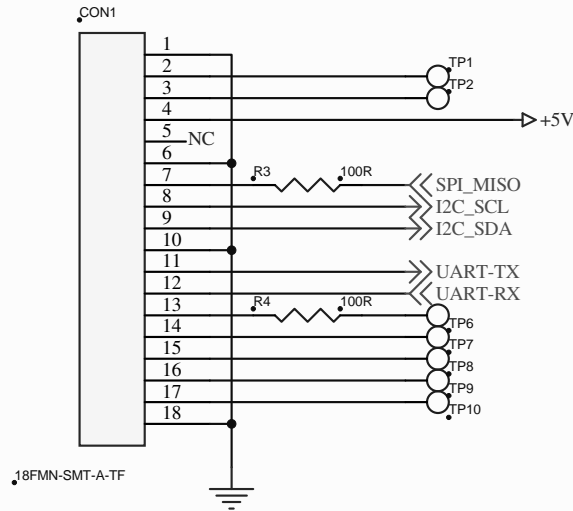
Title		
.		
Size	Document Number	Rev
A	.	.
Date:	Sheet	of
	4	4



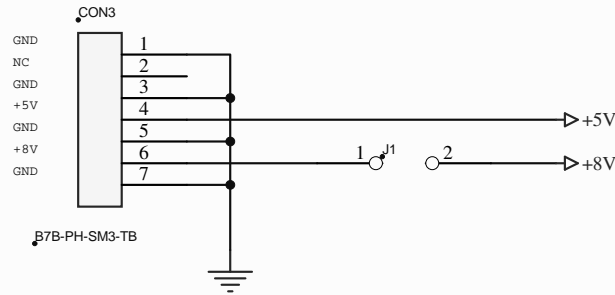
TO_CD-80/CD-100

Title		
.		
Size	Document Number	Rev
A	.	.
Date:	Sheet	3 of 4

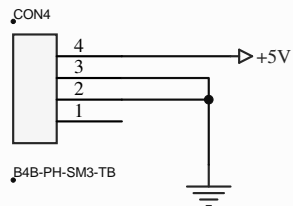
MAIN_FRONT_BOARD_CONNECTOR



POWER CD-100
POWER DVD-100



FRONT
BOARD
POWER



Title		
.		
Size	Document Number	Rev
A	.	.
Date:	Sheet	1 of 4