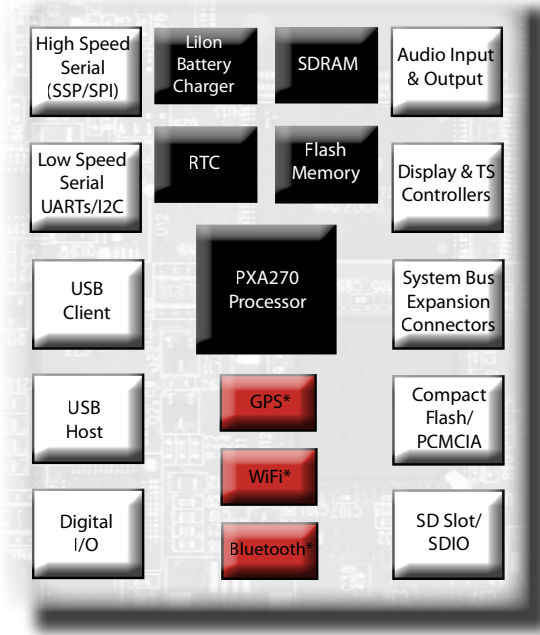


# Fingertip4™: Low-Power PXA-based Platform for Mobile Devices

At the size of a credit card, the Fingertip line of products is the highest performance, lowest power consuming, complete solution for handheld device development available today. Created for OEM developers of portable and wireless devices who need a full-featured solution with advanced power management, Fingertip4 is based on Marvell's PXA270 processor and delivers over 500MHz of processing power while consuming less than 0.5W. Unlike other boards on the market today, Fingertip4's sophisticated power interfaces are designed for mobile and battery operable devices. Support for DC input from 4-15V, primary LiIon battery charging and capacity management, and backup battery/supercap input are all integrated on the Fingertip4 board. The Fingertip4 BSP also comes with full driver support for all on-board peripherals and includes flexible API's for direct hardware control.



\* daughter card option



Every Fingertip4 product is equipped with InHand's patented BatterySmart® technology. In addition to low power design and component selection, BatterySmart extends the life of portable and mobile devices through intelligent use of the PXA270's Dynamic Voltage and Frequency Scaling (DVFS). All aspects of the Fingertip4 hardware and software work together to find the perfect balance between performance and battery life.

### Suggested Applications

- Handheld/Mobile Devices
  - military
  - medical
  - security
- Portable Media Devices
  - H.264, MPEG4 Players
  - Personal PVRs
  - Video Conferencing
- Remote Sensor Networks
- Battery Backed devices

## InHand Fingertip4™ Specifications

<b>CPU</b>	Marvell's PXA270 processor, up to 520MHz
<b>Flash Memory</b>	32-64MB
<b>SDRAM</b>	64-128MB, 100MHz with low-power self-refresh
<b>Plug-In Peripherals</b>	1 Compact Flash slot, 1 SDIO slot
<b>Off-Board Interfaces</b>	200 pin daughter card interface, including complete system bus, multiple peripheral and I/O interfaces and power
<b>Serial Ports</b>	3 UARTs, configurable via daughter card for CMOS or RS-232
<b>USB</b>	1 Host v1.1, 1 Client v1.1 port
<b>Wireless Peripherals</b>	WiFi, Bluetooth, GPS (supported on daughter card)
<b>Wired Peripherals</b>	Ethernet, multiple SPI/SSP, I2C, GPIOs (supported on daughter card)
<b>I/O Pins</b>	20 general-purpose I/O pins, interrupt capable (multi-function)
<b>Audio</b>	20-bit stereo codec with direct connection to microphone and stereo headphone, AC97-compliant
<b>Display Support</b>	Up to SVGA (800x600) full-color, including touch screen and backlight
<b>RTC</b>	On-board real-time clock (back-up battery on daughter card)
<b>Battery Support</b>	LiIon (with re-charge and capacity measurement) or any battery that conforms to power requirements; separate back-up input
<b>Value Added Software</b>	BatterySmart
<b>Operating Systems</b>	Windows CE and Linux
<b>Dimensions</b>	61mm by 86mm
<b>Thickness</b>	12mm
<b>Weight</b>	50g
<b>Power Consumption</b>	As low as 350mW
<b>Line Input</b>	4-15V

## Ordering Information

Part Number	Description
IHE-FIN4-A00000-9DP-C	Fingertip4 Standard Development Platform
INE-FIN4-A00000-9SBC-C	Fingertip4 Standard Single Board Computer

## Contact Information

sales@inhand.com  
info@inhand.com

v: 240.558.2014

InHand Electronics, Inc.  
30 W Gude Dr., Suite 550  
Rockville, MD 20850

www.inhand.com

Call or email for pricing and availability. Refer to part numbers above.

*InHand Electronics, Inc. is a leading provider of low-power embedded systems to Original Equipment Manufacturers. Every InHand system includes BatterySmart, InHand's patented run-time power management suite for battery-operated handheld and wireless devices, such as UMPCs, PDAs, wearable computers, industrial computers, and smart sensors. The company's products are used in a variety of industries, including military, healthcare, entertainment, and instrumentation. InHand's FireFly, Apeiron, Fingertip and BatterySmart products are built on industry-leading technologies, such as Intel's Atom and Texas Instruments DaVinci and Sitara and Marvell PXA processors, and Linux, Android, and Microsoft's Windows CE, Mobile and Windows Embedded operating systems. InHand is an ITAR registered company and its products are made in the USA. The company's headquarters are located along the I-270 Technology Corridor in Rockville, Maryland. For more information, visit www.inhand.com.*

