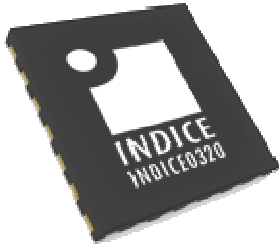




G3 MR16 LED Driver IC

Product Number: INDICE0320



Description

Indice's premium next generation "G3" MR16 LED Driver IC, INDICE0320, enables complete flexibility, optimum power control and custom thermal management. Featuring industry leading driver efficiency, incredibly high power density and superior dimming performance, this IC is the ultimate low voltage LED driver solution.

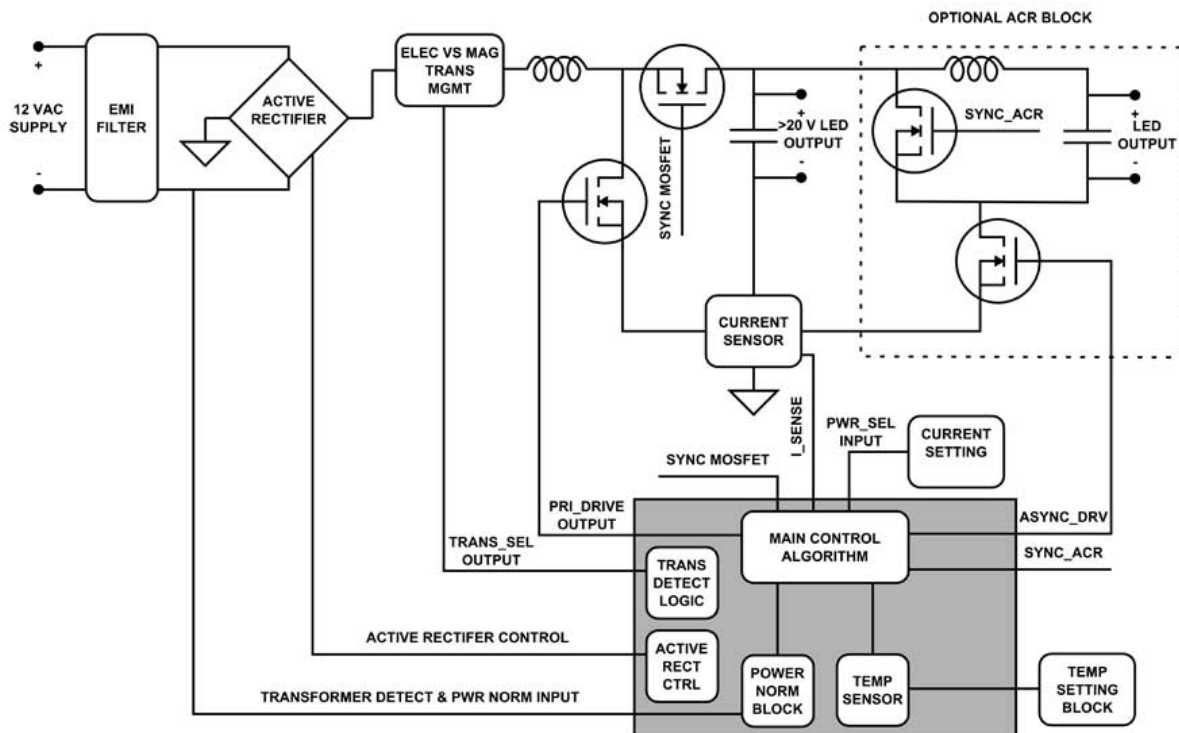
Features

- Incredibly high power density
- Asynchronous current regulation (ACR) provides flawless dimming performance
- Deep dimming – down to 0% light
- Active rectifier controller for ultra high driver efficiency and compatibility
- Active Temperature Management
- Low part count – < 30 components
- Ultra small form factor

Applications

- MR16 retrofit lamps
- AR111 retrofit lamps
- Low voltage outdoor lighting (12VAC)
- Marine and automotive LED lighting

Functional Block Diagram





G3 MR16 LED Driver IC

Product Number: INDICE0320

Specifications

Target power	Up to 25W
Input voltage	12VAC / 12VDC
LED voltage range	Any
Deep dimming	Yes: 100 – 0% light
Leading and trailing edge dimming	Yes
Electronic transformer compatible	Yes
Topology	Boost / ACR
Active Temperature Management	Yes
Driver efficiency	>87% +
Switching frequency	Up to 4MHz asynchronous
Power factor on electronic transformer	>0.9 (dependent on transformer)
Asynchronous current regulation	Yes
EMC compliance on transformers	CISPR15 / FCC

Feature and package options

IC Order Number	Package	Features
INDICE0320	QFN20	<ul style="list-style-type: none">• Ultra high transformer compatibility• Dimming on leading and trailing edge dimmers• Boost topology• Deep dimming• Active Temperature Management with adjustable temperature point• Power normalization keeps light level consistent across transformers• Active rectifier control for increased driver efficiency• Synchronous MOSFET for boost stage to increase driver efficiency• Asynchronous current regulation offering unparalleled dimming performance

Note: Specifications are subject to change. For up-to-date product information, please visit www.indicesemi.com.