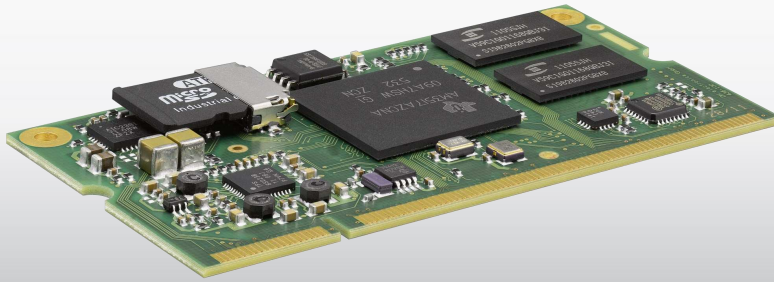


# DHCOM AM35xx

Form, Fit & Function compatible COMs



## TECHNICAL DETAILS

Processor	ARM Cortex-A8 with 600 MHz
CPU features	3D graphics accelerator
DDR2 DRAM	128 / 256 / 512 Mbyte
SLC-NAND flash	0 / 128 / 256 (max 1024) Mbyte
E <sup>2</sup> Prom	128 byte
microSD socket	Available on module
Real-time clock RTC	Available on module
Bus interface	16 bit address/data, 5 CS
Ethernet 1	10 / 100 Mbit
Ethernet 2	-
MMC/SD interface	4 bit mode
CAN	V2.0B / 1Mbit/s
UART 1	Full Function, up to 3.6 Mbit/s
UART 2	Rx / Tx / Rts / Cts, up to 3.6 Mbit/s
UART 3	Rx / Tx, up to 3.6 Mbit/s
SPI 1	max. 48 MHz
SPI 2	max. 48 MHz
I2C 1	max. 3.4 Mbit
I2C 2	max. 3.4 Mbit
USB host 1	High-Speed
USB host 2	High-Speed
USB OTG	High-Speed
Camera	CCIR-656 interface, 10 bit
Display RGB	Max. 1400 x 1050 pixels, 24 bit
Display LVDS	-
Touch	4-wire
Audio	Microphone, line-in, headphones
GPIOs	23 IOs
PWM	1, 16 bit
Analog inputs	1, 10 bit SAR converter
Supply	3.3 or 5.0 VDC, typ. 1.4 W
Temperature range	Operating: -40 to +85 °C
Dimensions	67.6 x 36.7 x 8.1 mm
Socket	SODIMM-200
Debug interface	JTAG interface on module
BSPs	Linux, Windows CE



## DESCRIPTION & HIGHLIGHTS

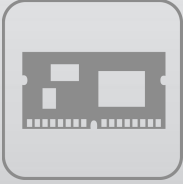
The DHCOM AM35 Computer On Module (COM) in SODIMM -200 format is based on the **Texas Instruments AM35** Cortex-A8 processor, delivering optimized performance for automation and multimedia.

Designed for industrial use, it offers a multitude of functions and interfaces, and conforms to the **DHCOM standard**, a novel, scalar module concept from DH electronics. The DHCOM standard enables the use of one and the same carrier board to accommodate the entire series of Form, Fit & Function compatible COMs.

Special attention was paid to the long-term availability, evidenced by the selection of the AM35 processor from Texas Instruments automotive series.

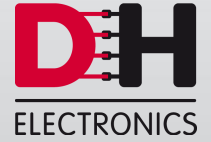
DH electronics module is also delivered complete with the Board Support Package for Linux and Windows CE. Our qualified customer support is also available to further assist you.

As your partner, we strive to help you in ensuring a fast, reliable and cost-effective product development.

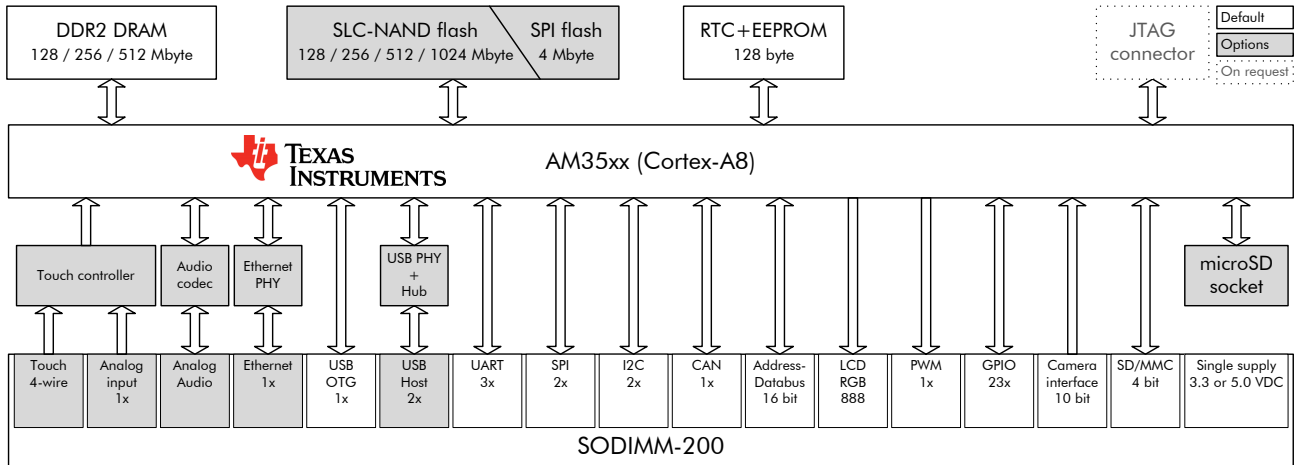


# DHCOM AM35xx

Form, Fit & Function compatible COMs



## BLOCK DIAGRAM



## ORDERING INFORMATION

### Ordering Configurations:

**DHCM-CPU-Rxxx[-Fxxxx][-E][-USB][-SD][-T][-A]-X-01D2**

CPU	AM3517 (with 3D graphics accelerator), AM3505
Rxxx	128MByte: R012, 256MByte: R025, 512MByte: R051
X	Commercial temperature range (0°C - 70°C): C, Industrial temperature range (-40°C - 85°C): I
01D2	DHCOM Revision, SODIMM200 socket
<b>Options:</b>	
[-Fxxxx]	128MByte NAND: F0012, 256MByte NAND: F0025, 512MByte NAND: F0051, 1024MByte NAND: F0102
[-E]	Ethernet
[-USB]	USB host ports
[-SD]	microSD socket
[-T]	Resistive touch controller
[-A]	Audio codec

Item number	Model (other configurations on request)	Product description
HA00005	DHCM-AM3517-R025-F0025-E-USB-SD-T-A-I-01D2	DHCOM AM3517 with 3D graphics accelerator, 256MB DRAM, 256MB flash, ethernet, USB host, microSD socket, res. touch, audio