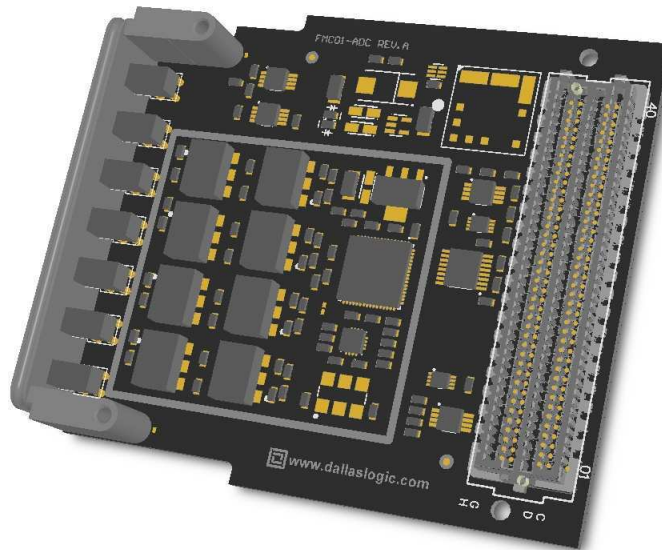


Quad A/D FPGA Mezzanine Card

The FMC-ADC01 FPGA Mezzanine Card (FMC) is a four channel analog signal capture board. The module features the Texas Instruments ADS64xx family of ADCs. The board supports eight of the family members covering 65MSPS to 125MSPS and both 12-bit and 14-bit variants. The data backhaul is provided as a multi-bit Low Voltage Differential Signaling (LVDS) interface. All power, control, and digital interfaces are connected to the carrier card using the VITA 57.1 Low Pin Count (LPC) connector. The analog signals, external clock, and trigger interfaces are on front panel MMCX coaxial connectors. The module is designed to the VITA 57.1 specification.

Features:

- Texas Instruments ADS64xx, 4 channel, Analog-to-Digital converter.
- Modules available in 12- or 14-bit resolution with sample rates from 65-125 MSPS.
- Supports both SPI and fixed resistor interfaces for ADC configuration.
- Four MMCX analog input signal connectors supporting input frequencies from 1 to 230 MHz.
- Input and output synchronization signals via MMCX connectors permit synchronizing multiple channels.
- MMCX input clock connector supports sample rates from 10 to 125 MSPS.
- On-board ADC local clock permits stand alone operation.
- External clock and synchronization signals support both LVPECL and LVCMOS standards.
- VITA 57.1 LPC connector.
- HDL support package for rapid FPGA integration is available.



Dallas Logic Corporation

2300 McDermott Rd. #200-305, Plano TX 75025

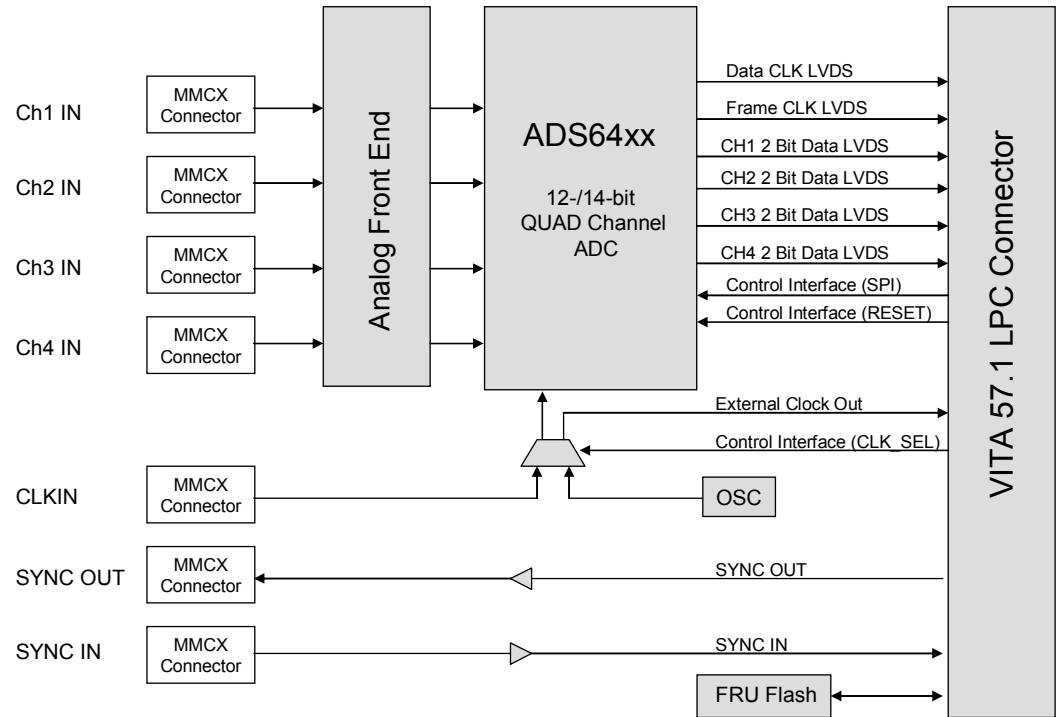
www.dallaslogic.com

972.924.8575

requests@dallaslogic.com

Quad A/D FPGA Mezzanine Card

Block Diagram:



Ordering Information:

FMC-ADC01-X-Y-T		
X: Device Selection	Y: Module Height ₁	T: Temperature Range
0 ADS6445 (14 bit, 125 MSPS)	0 8.5mm	0 Commercial
1 ADS6444 (14 bit, 105 MSPS)	1 10mm	
2 ADS6443 (14 bit, 80 MSPS)		
3 ADS6442 (14 bit, 65 MSPS)		
4 ADS6425 (12 bit, 125 MSPS)		
5 ADS6424 (12 bit, 105 MSPS)		
6 ADS6423 (12 bit, 80 MSPS)		
7 ADS6422 (12 bit, 65 MSPS)		

Note 1: Module stacking height is available in 8.5mm or 10mm.