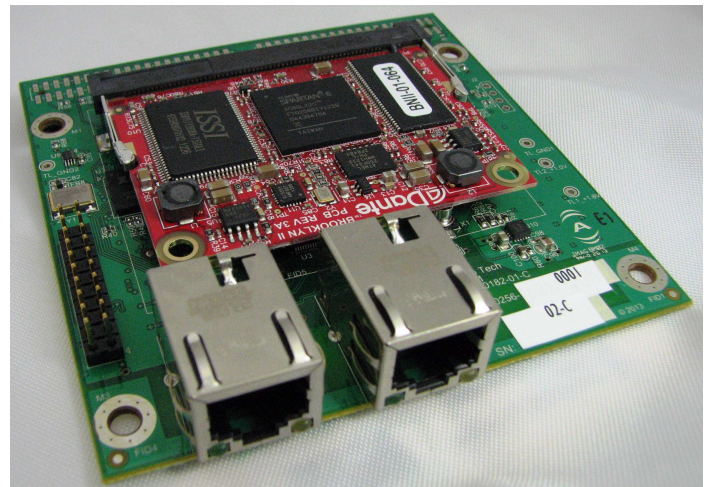


DBAM

DANTE AUDIO CONNECTIVITY MODULE

The Attero Design Dante® DBAM module is designed to provide OEM product developers a cost-effective way to incorporate Dante connectivity into a wide variety of products. The DBAM conforms to the mechanical and electrical form factor of the Cirrus Logic CM-1 and CM-2 CobraNet® modules. The DBAM hosts an Audinate Brooklyn II 32x32 channel Dante module, and adds fully redundant primary and secondary network connectivity.



FEATURES AND BENEFITS

- 32 digital audio input and output channels in TDM8 (4 in and 4 out) format.
- Support for 64x64 (8 in and 8 out TDM8) available (special order)
- Fully redundant Primary and Secondary network connections
- Interface support for the CM-1/CM-2 Host Management Interface (HMI) port
- Dual 40 pin headers, either top mounted male or bottom mounted female
- Serial and Packet Bridge functionality supported
- Module size is 3.5"x3.5"

APPLICATIONS

- Update legacy CobraNet platforms to Dante
- Dante enable DSP platforms, break in and break out boxes, high channel count digital snakes



ABOUT ATTERO DESIGN

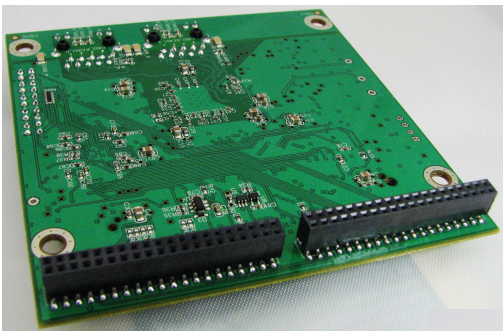
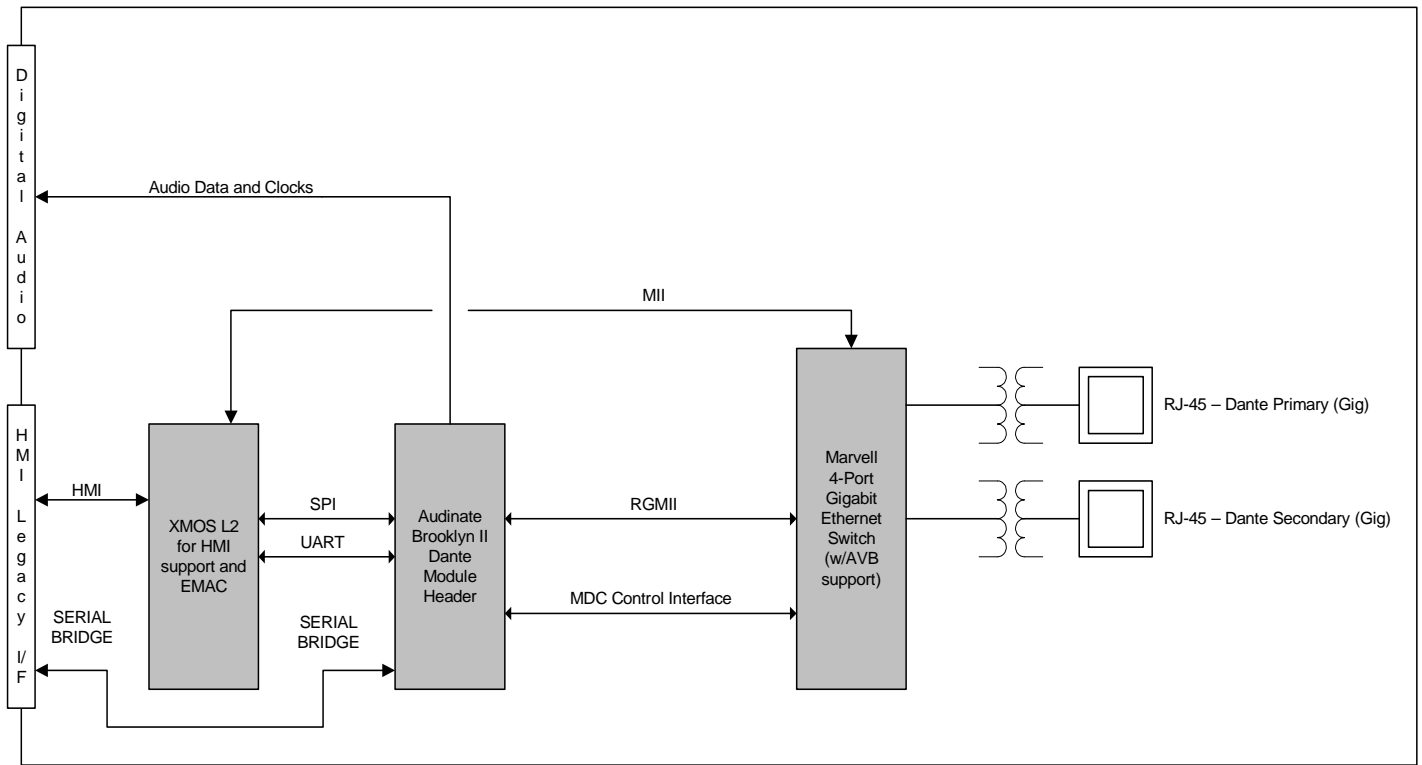
Attero Design is the design services arm of Attero Tech. Attero Design provides licensable OEM platforms and custom design services in the residential and commercial AV markets. Attero Design is headquartered in Fort Wayne, Indiana. Contact us at:

260.496.9668 x317

www.atterodesign.com

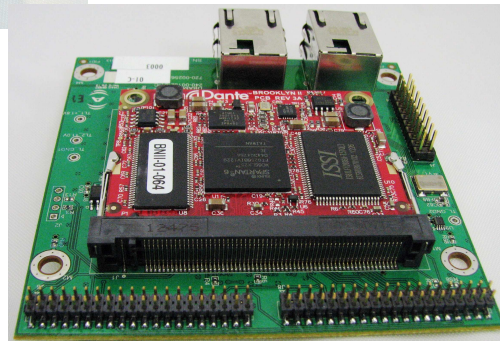
The **Audinate**® logo and **Dante**™ are trademarks of Audinate Pty Ltd.
The **XMOS**® logo and name are trademarks of XMOS Ltd.
The **MARVELL**® logo and name are trademarks of Marvell, Inc.

DBAM Electrical Block Diagram



Top mounted 40 pin male headers

Bottom mounted 40 pin female headers



TWO VERSIONS OF THE DBAM

The Attero Design DBAM is available in two mechanical configurations. The first configuration has two 40 pin male headers mounted on the top side of the DBAM carrier board. The second configuration has two 40 pin female connectors mounted on the bottom side of the board.

To the left are pictures of both mechanical configurations. Complete mechanical and electrical details are available in the DBAM datasheet.

DBAM Module (Top) P/N: 900-00164-Top	Dante connectivity, 32x32 digital audio input and output channels (64x64 available by special order), top mounted male 40 pin connectors
DBAM Module (Bottom) P/N: 900-00164-Bottom	Dante connectivity, 32x32 digital audio input and output channels (64x64 available by special order), bottom mounted female 40 pin connectors