

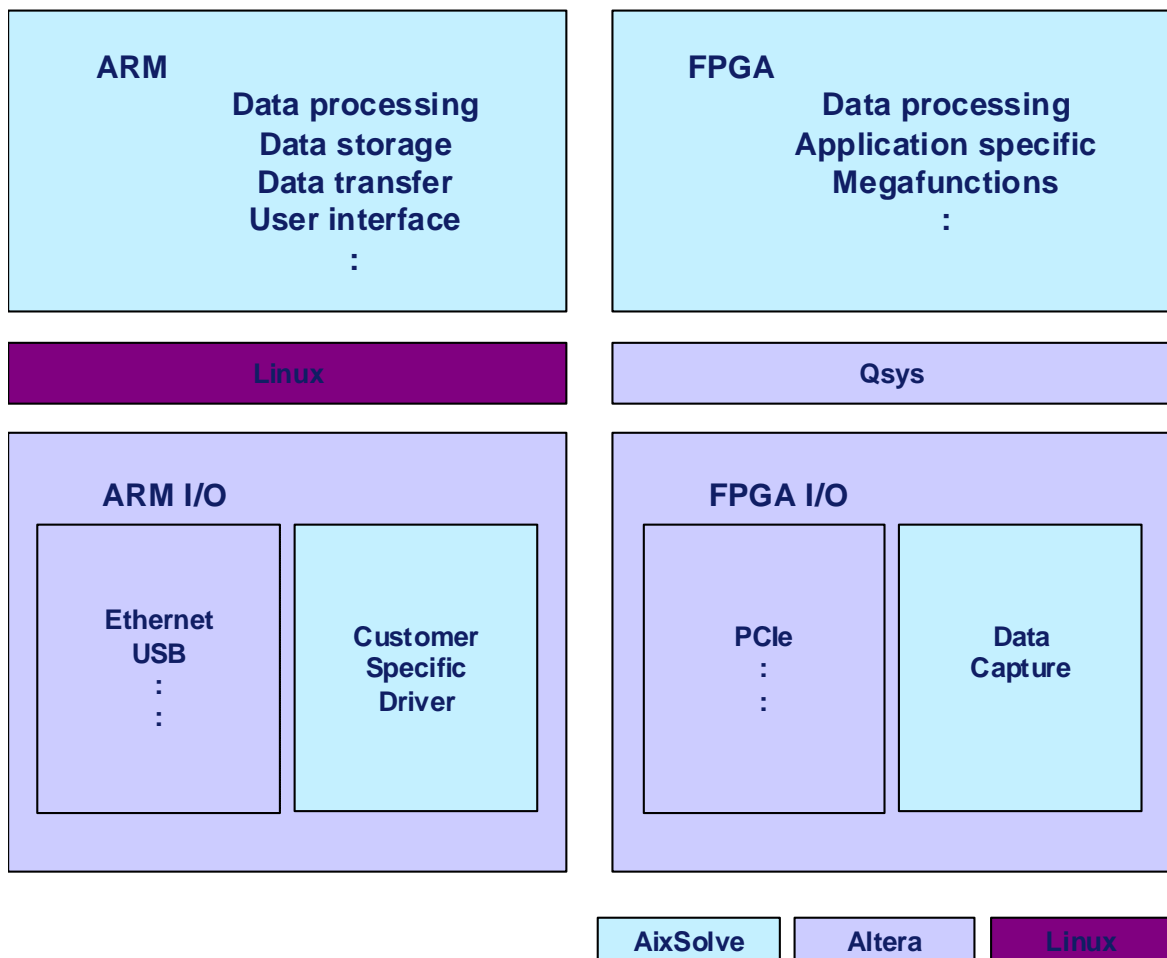
AixSolve

Data Processing Suite (DPS)

The AixSolve *Data Processing Suite (DPS)* for Cyclone V SoC is developed for next generation Data Processing Applications.

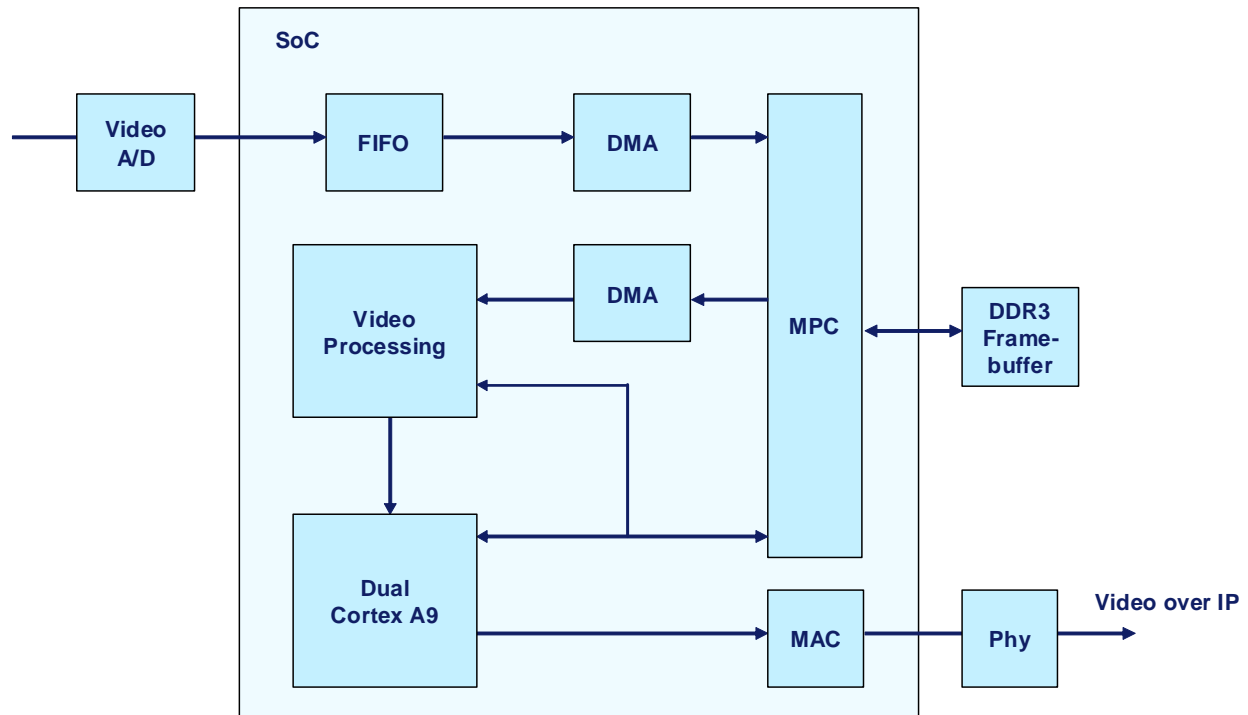


System architecture:



The content of this datasheet is furnished for informational use only, is subject to change without notice, and should not be construed as a commitment.

AixSolve Techtrends Demo:



AixSolve SoC related services:

- System architecture design
- Requirement analysis
- Board level design
 - DDR 3
 - DAC
 - ADC
 - High performance designs > 1 GHz
- FPGA design
 - Megafunction development
 - Integration of 3rd party algorithms
 - Data processing
- Software design
 - Linux driver
 - Data processing
 - User interface

The content of this datasheet is furnished for informational use only, is subject to change without notice, and should not be construed as a commitment.

AixSolve GmbH
Kaiserstrasse 100
52134 Herzogenrath

ver.201310

Tel.: +49 2407 5739 0
Fax.: +49 2407 5739 11
Mail: sales_aixsolve@aixsolve.de