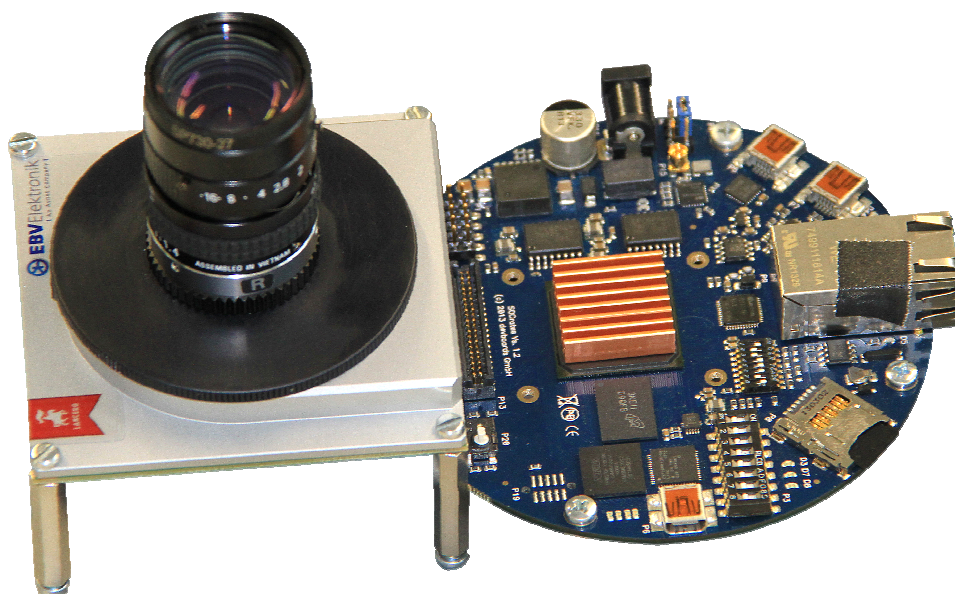


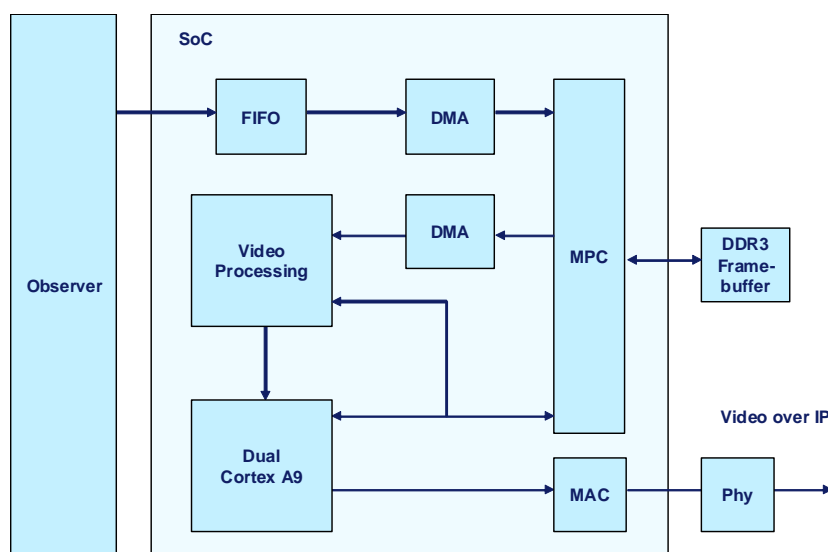
AixSolve

Image Processing Suite (IPS)

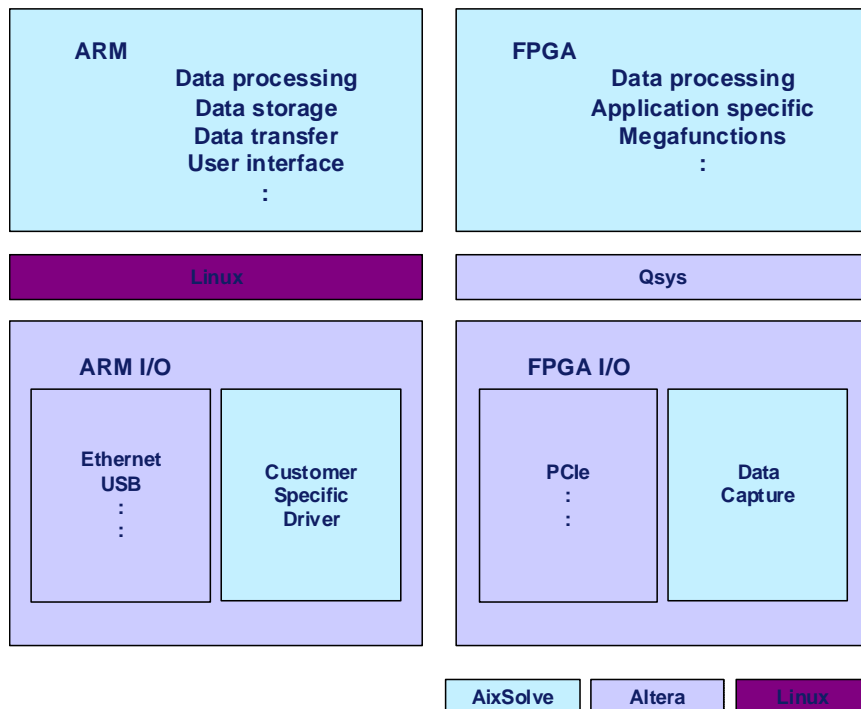
The AixSolve *Image Processing Suite (IPS)* for Cyclone V SoC is developed for next generation Image Processing Applications. The suite is for evaluation purposes available for EBV SoCrates – Cyclone V SoC Starter kit in conjunction with EBV Observer reference kit for embedded vision applications.



EBV Socrates & Observer evaluation kit architecture:



AixSolve IPS System architecture:



In addition to the IPS AixSolve offers design and consultancy services for high performance solutions and as a design house, Aixsolve implements customer-specific hardware, software and firmware developments as for example:

- System architecture design
- Requirement analysis
- Board level design
 - DDR 3
 - DAC
 - ADC
 - High performance designs > 1 GHz
- FPGA design
 - Megafunction development
 - Integration of 3rd party algorithms
 - Data processing
- Software design
 - Linux driver
 - Data processing
 - User interface