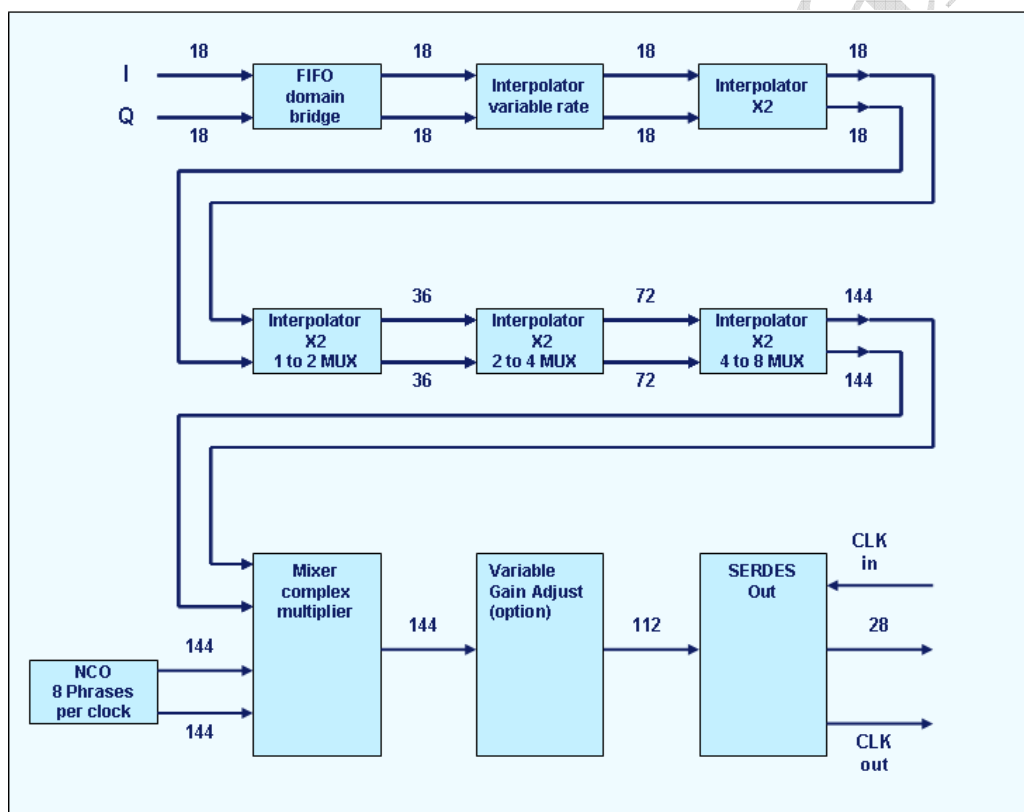


AixSolve DirectSyntheses Megafunction

With the AixSolve *DirectSyntheses* megafunction it is possible to upconvert directly from IQ into the final band, whereby all modulators are independent in carrier frequency and symbol rate.

Block diagram:



Required resources*:

Altera	Combined ALUTs*	Memory ALUTs*	ALM*	Dedicated Logic Registers*	Combinational Logic*	M9K*	M144K*	DSP*
1x UpConverter	3361	238	3419	5545	514	2	4	164
8x UpConverter	24001	1336	23554	39358	2313	344	12	484

* Based on Stratix IV, Arria2GX similar, actual synthesis might vary, project depended

The content of this datasheet is furnished for informational use only, is subject to change without notice, and should not be construed as a commitment.

AixSolve GmbH
Kaiserstrasse 100
52134 Herzogenrath

ver.10/01/2012 14:49:00

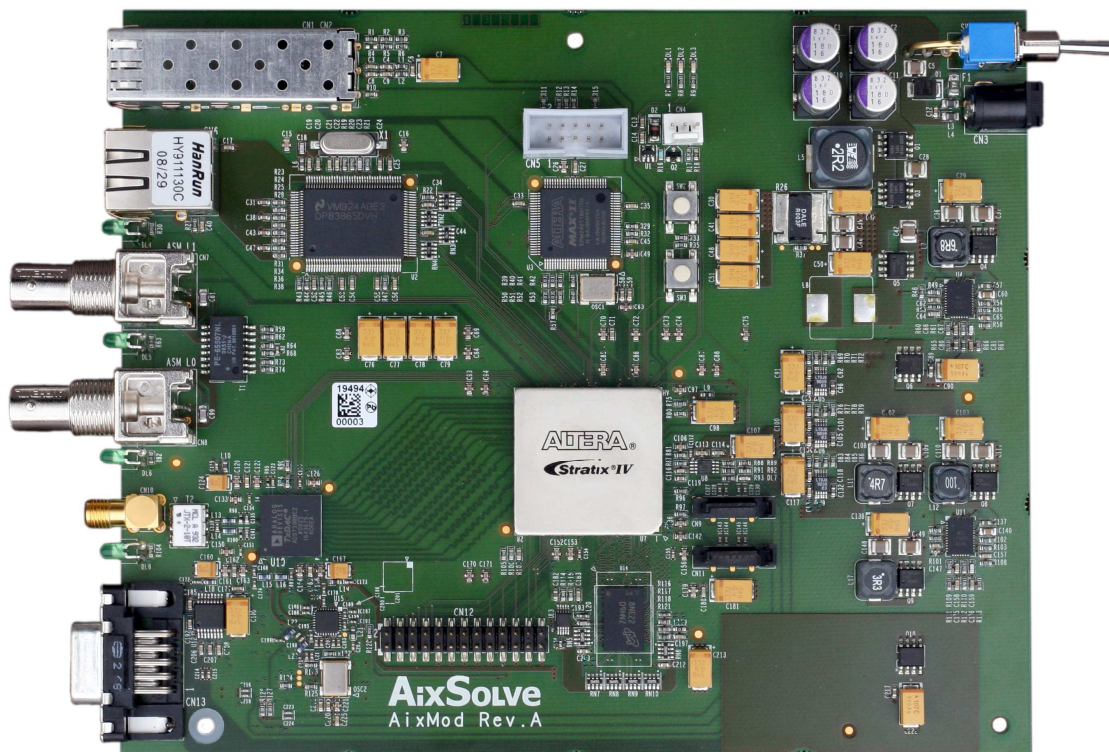
Tel.: +49 2407 5739 0
Fax.: +49 2407 5739 11
Mail: sales_aixsolve@aixsolve.de

Key facts

- Direct Up Conversion into the CAT-TV typical range of 50...900 MHz
- Higher carrier frequencies possible by using 2nd/3rd Nyquist zones
- More than 8 channels for non broadcast quality like inhouse distribution or hotel applications
- Modulators are independent regarding carrier frequency and symbol rate
- All IQ based modulation schemes could be supported
- Example (QAM 64) : MER > 46, SNR > 60

Related AixSolve product:

AixSolve *DirectUpRef* reference design



The content of this datasheet is furnished for informational use only, is subject to change without notice, and should not be construed as a commitment.

AixSolve GmbH
Kaiserstrasse 100
52134 Herzogenrath

ver.10/01/2012 14:49:00

Tel.: +49 2407 5739 0
Fax.: +49 2407 5739 11
Mail: sales_aixsolve@aixsolve.de