

CMM Series For USB 2.0, IEEE1394b, LVDS



A full series of common mode choke is designed for excellent noise attenuation with compact sizing for use in wide range of applications. Both standard series and custom designs are available.

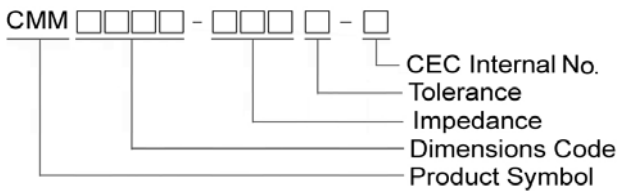
Features

- RoHS Compliant
- Miniature SMD type common mode filter for fully automated assembly
- Wide impedance range ($30\Omega \sim 2200\Omega$) for noise suppression
- Excellent solderability

Applications

- USB line for personal computers and peripheral
- IEEE 1394 line for personal computers, DVC, STB
- LVDS, panel line for liquid display panels, graph card etc

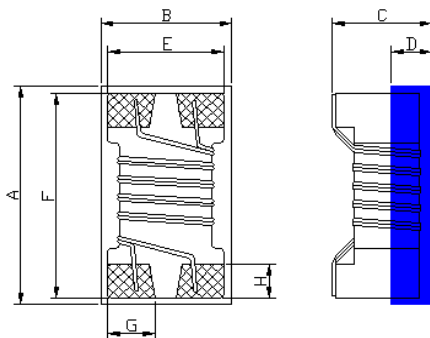
Product Identification



- Packaging: T : Tape and Reel

Shape and Dimensions

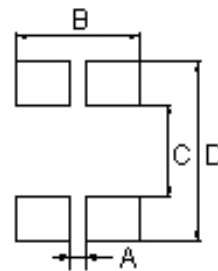
CMM0805



Dimensions in mm

A	B	C	D	E	F	G	H
2.29 ⁺⁰	1.52 ⁺⁰	1.20 ⁺⁰	0.5	1.27	2.03	0.5	0.58

Recommended Pattern



Dimensions in mm

A	B	C	D
0.5	1.27	0.8	2.6

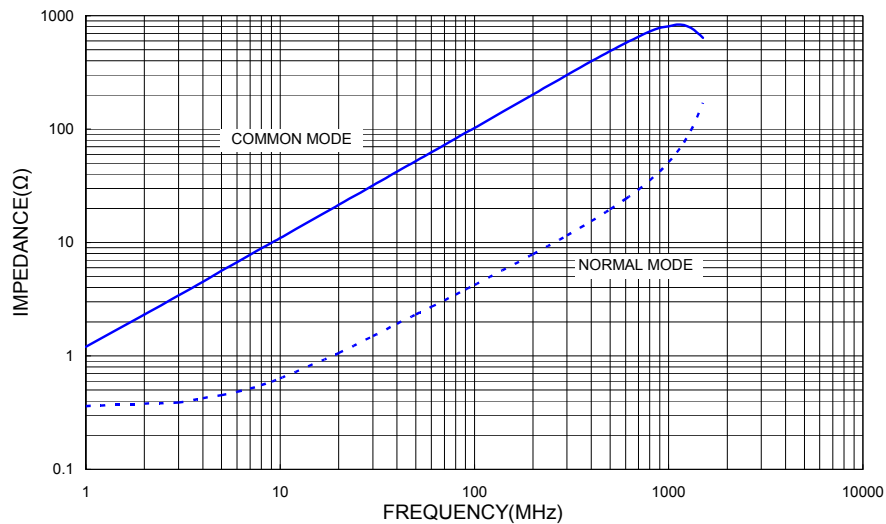
Electrical Characteristics

Part Number	Impedance (Ω)	Test Frequency (MHz)	Tolerance (±%)	Idc (mA) Max	Rated Voltage (Vdc)	Rdc (Ω) Max	Insulation Resistance (MΩ) Min
CMM0805-300M-N	30	100	20	1300	50	0.20	10
CMM0805-420M-N	42	100	20	1300	50	0.20	10
CMM0805-670M-N	67	100	20	1200	50	0.25	10
CMM0805-900M-N	90	100	20	1000	50	0.27	10
CMM0805-121M-N	120	100	20	900	50	0.30	10
CMM0805-181M-N	180	100	20	700	50	0.40	10
CMM0805-261M-N	260	100	20	700	50	0.60	10

- When ordering, please specify tolerance and packaging codes.
- Tolerance : M = ±20%
- Packaging : Clear tape and reel { standard }.
- Z : Agilent/HP4291A
- Rdc(single line) : CH502BC/ HP4338B
- Insulation Resistance : Agilent /HP4339B
- Operating temperature range from -25°C to 85°C.

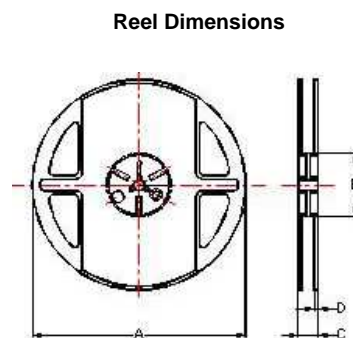
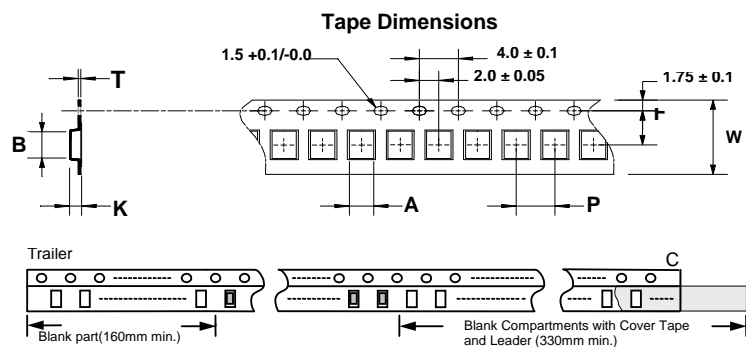
Typical Impedance vs. Frequency

CMM0805-900M-N



SMD Common Mode Choke - CMM Series

Packaging Specifications



Dimensions in mm

TYPE	Tape Dimensions							Reel Dimensions				Quantity PCS / Reel
	A	B	T	W	P	F	K	A	B	C	D	
CMM0805	1.60	2.42	0.26	8	4	3.5	1.14	178	60	12	1.5	2000