



CLAMP MOUNTING TYPE

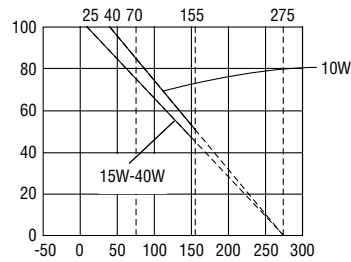
Standard Type [CBH Series],
Non-Inductive Type [CBHN Series]

FEATURES

- Low Cost
- Small Size, High Power Capacity
- Resistance Tolerance: $\pm 5\%$, $\pm 10\%$
- Completely Unflammable

DERATING CURVE

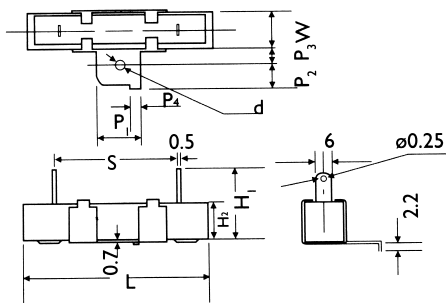
Rated Load (%)



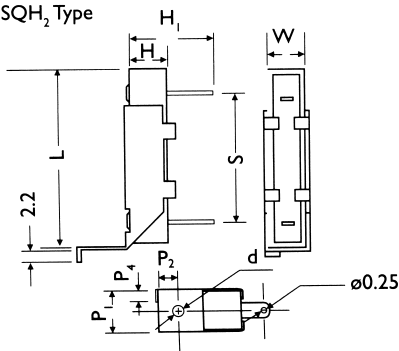
Ambient Temperature (°C)

DIMENSIONS

SQH₁ Type

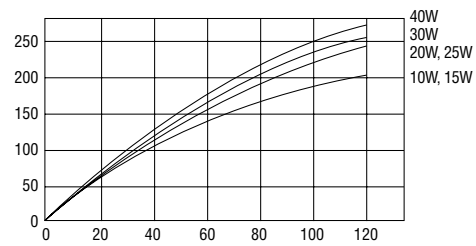


SQH₂ Type



HOT-SPOT TEMPERATURE

Temperature Rise (°C)



Rated Load (%)

Unit : mm

| STYLE | L | H | W | S | H1 | H2 | P1 | P2 | P3 | P4 |
|-------|----------------|----------------|--------------|--------------|----------------|-----|----------------|-----|------|-----|
| CBH10 | 48.0 \pm 1.5 | 10.5 \pm 1.0 | 10.5 \pm 1 | 33.0 \pm 2 | 19.5 \pm 1.0 | 4.0 | 11.0 \pm 0.2 | 6.0 | 8.0 | 3.0 |
| CBH15 | 48.0 \pm 1.5 | 12.5 \pm 1.0 | 12.0 \pm 1 | 33.0 \pm 2 | 20.5 \pm 1.0 | 4.0 | 11.0 \pm 0.2 | 6.0 | 8.0 | 3.0 |
| CBH20 | 63.5 \pm 2.0 | 12.5 \pm 1.0 | 12.5 \pm 1 | 48.0 \pm 2 | 20.5 \pm 1.0 | 4.0 | 11.0 \pm 0.2 | 6.0 | 8.0 | 3.0 |
| CBH25 | 63.5 \pm 2.0 | 16.0 \pm 1.0 | 16.0 \pm 1 | 46.0 \pm 2 | 28.0 \pm 1.5 | 4.2 | 11.0 \pm 0.2 | 6.0 | 10.0 | 3.0 |
| CBH30 | 70.0 \pm 2.0 | 19.0 \pm 1.5 | 18.0 \pm 1 | 56.0 \pm 2 | 28.0 \pm 1.5 | 4.2 | 18.0 \pm 0.2 | 8.0 | 10.0 | 3.0 |
| CBH40 | 90.0 \pm 2.5 | 19.0 \pm 1.5 | 18.0 \pm 1 | 71.0 \pm 2 | 28.0 \pm 1.5 | 4.2 | 18.0 \pm 0.2 | 8.0 | 10.0 | 3.0 |

CBH/CBHN Series

ELECTRICAL CHARACTERISTICS

| STYLE | CBH10 | CBH15 | CBH20 | CBH25 | CBH30 | CBH40 |
|------------------------------------|-----------------|------------|------------|-----------|-----------|-----------|
| Power Rating | 10W | 15W | 20W | 25W | 30W | 40W |
| Operating Temp. Range | -55°C to +155°C | | | | | |
| Maximum Working Voltage | 250V | 350V | 500V | 500V | 500V | 500V |
| Maximum Overload Voltage | 500V | 700V | 1000V | 1000V | 1000V | 1000V |
| Dielectric Withstanding Voltage | 1000V | 1000V | 1000V | 1000V | 1000V | 1000V |
| Value Range ±5% (Ceramic Core) | 0.39Ω~270Ω | 0.39Ω~300Ω | 0.51Ω~300Ω | 0.51Ω~1KΩ | 0.62Ω~1KΩ | 0.62Ω~1KΩ |
| Value Range ±5% (Metal Oxide Film) | 300Ω~10KΩ | 330Ω~10KΩ | | | | |
| Temperature Coefficient | ±300ppm/°C | | | | | |

* 1. Standard resistance is as the above list, below or over this resistance on request.

* 2. Non-Inductive type up to 50Ω only.

ENVIRONMENTAL CHARACTERISTICS

| PERFORMANCE TEST | TEST METHOD | APPRAISE | |
|---------------------------------------|--|---|---|
| Short Time Overload | JIS-C-5202 5.5 | 2.5 Times RCWV for 5 Seconds | ±(2%+0.05Ω) |
| Dielectric Withstanding Voltage | JIS-C-5202 5.7 | in V-Block for 60 Seconds | by Type |
| Temperature Coefficient of Resistance | JIS-C-5202 5.2 | -55°C to +155°C | ±300ppm/°C |
| Insulation Resistance | JIS-C-5202 5.6 | in V-Block | >100MΩ |
| Solderability | JIS-C-5202 6.5 | 235°C for 5±0.5 Seconds | 95% Min. Coverage |
| Resistance to Solvent | JIS-C-5202 6.9 | Trichroethane for 1 Min. with Ultrasonic | No Deterioration of Coatings and Markings |
| Terminal Strength | Direct load for 10 Sec. in The Direction of The Terminal Leads | | ≥2.5kg (24.5N) |
| Pulse Overload | JIS-C-5202 5.8 | 4 Times RCWV 10000 Cycles (1 Sec. on , 25 Sec. off) | ±(2%+0.05Ω) |
| Load Life in Humidity | JIS-C-5202 7.9 | 40±2°C, 90~95% RH at RCWV for 1000 Hrs. (1.5 Hrs. on , 0.5 Hrs. off) | ±(5%+0.05Ω) |
| Load Life | JIS-C-5202 7.10 | 70°C at RCWV for 1000 Hrs. (1.5 Hrs. on , 0.5 Hrs. off) | ±(5%+0.05Ω) |
| Temperature Cycling | JIS-C-5202 7.4 | -65°C·Room Temp.·150°C·Room Temp. for 5 Cycles | ±(2%+0.05Ω) |
| Resistance to Soldering Heat | JIS-C-5202 6.4 | 350°C±10°C for 3±0.5 Seconds | ±(1%+0.05Ω) |

* Rated Continuous Working Voltage (RCWV)=√Power Rating x Resistance Value