

# SPI Series

## SMT Power Inductors



A convenient height of only .118" (3.0mm), JARO's new SPI0802 Series of surface mount power-oriented inductors are ideal for palmtop, PDA and other handheld applications.

The part comes in 13 versions with inductance ratings from 10 to 1000μH. These parts will handle currents of up to 2 Amps.

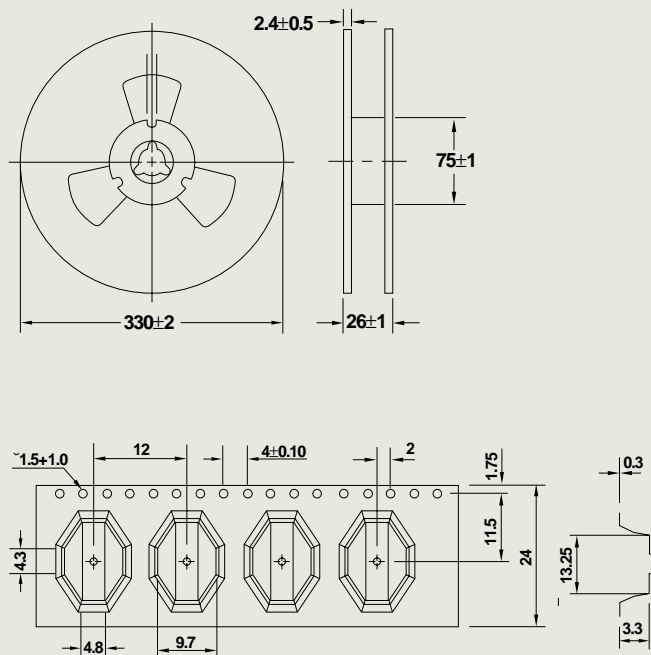
They have a .370x.510 (9.4x13.0) base and a flat top for reliable placement and handling.

In addition to the standard versions shown here, custom inductors are available to meet your customized requirements.

Part NO.	Inductance (μH±20%)	DCR (Ω <sup>+0</sup> )	I <sub>sat</sub> 2 (A)
SPI0802T-100M-S	10	0.09	2.4
SPI0802T-150M-S	15	0.12	2.0
SPI0802T-220M-S	22	0.19	1.6
SPI0802T-330M-S	33	0.25	1.4
SPI0802T-470M-S	47	0.32	1.0
SPI0802T-680M-S	68	0.55	0.9
SPI0802T-101M-S	100	0.70	0.7
SPI0802T-151M-S	150	1.0	0.6
SPI0802T-221M-S	220	1.6	0.5
SPI0802T-331M-S	330	2.2	0.4
SPI0802T-471M-S	470	3.3	0.3
SPI0802T-681M-S	680	4.4	0.2
SPI0802T-102M-S	1000	7.0	0.1

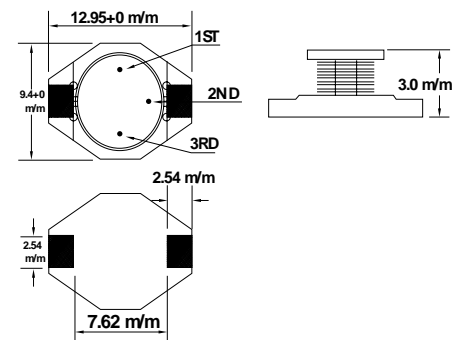
1. Tested at 100 KHz, 0.1 Vrms
2. Inductance drop=10% typ. at rated I<sub>sat</sub>.
3. Operating temperature range -40°C to 85°C

Dimensions : mm



Packaging Quantity : 700  
Reel Dimensions

Dimensions : mm



SMT Power Inductors

# SPI Series



The SPI0804 Series of surface mount inductors is designed and micro-sized for low cost, and optimal performance. Their high energy storage and extremely low resistance make them the ideal inductors for DC-DC conversion in PDAs, computers, flash memory, step-up / step-down converters, memory programmers, etc.

The SPI was designed with a flap top and temperature deflection to prevent solder damage during reflow and for dependable surface mounting.

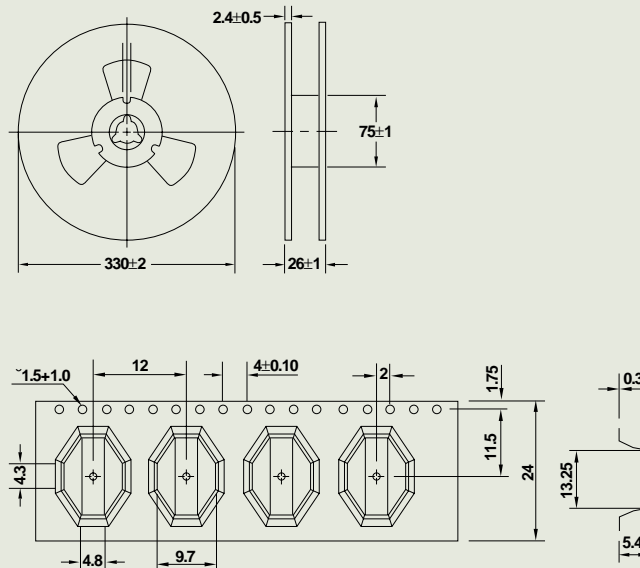
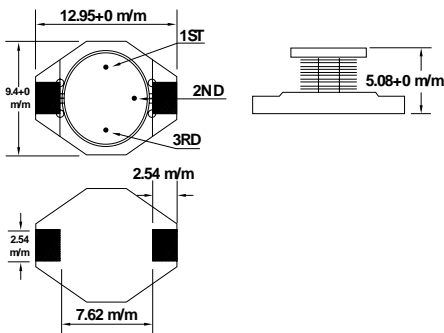
PART NO.	Inductance ( $\mu\text{H} \pm 20\%$ )	DCR ( $\Omega \pm 15\%$ )	$I_{\text{sat}}^2$ (A)
SPI0804T-1R0M-S	1.0	0.008	9.0
SPI0804T-1R5M-S	1.5	0.009	8.0
SPI0804T-2R2M-S	2.2	0.010	7.0
SPI0804T-3R3M-S	3.3	0.013	6.4
SPI0804T-4R7M-S	4.7	0.016	5.4
SPI0804T-6R8M-S	6.8	0.019	4.6
SPI0804T-100M-S	10	0.025	3.8
SPI0804T-150M-S	15	0.040	3.0
SPI0804T-220M-S	22	0.050	2.6
SPI0804T-330M-S	33	0.088	2.0
SPI0804T-470M-S	47	0.12	1.6
SPI0804T-680M-S	68	0.16	1.4
SPI0804T-101M-S	100	0.23	1.2
SPI0804T-151M-S	150	0.33	1.0
SPI0804T-221M-S	220	0.53	0.8
SPI0804T-331M-S	330	0.81	0.6
SPI0804T-471M-S	470	1.10	0.5
SPI0804T-681M-S	680	1.60	0.4
SPI0804T-102M-S	1000	2.15	0.3

1. Tested at 100 KHz, 0.1 Vrms
2. Inductance drop= 10% typ. at rated  $I_{\text{sat}}$ .
3. Operating temperature range  $-40^\circ\text{C}$  to  $85^\circ\text{C}$

Dimensions : mm

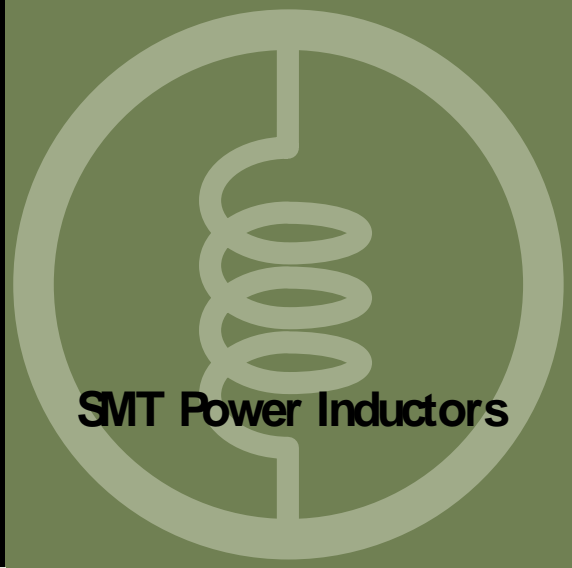
Packing Quantity : 700  
Reel Dimensions

Dimensions : mm



# SPI Series

## SMT Power Inductors



PART NO.	Inductance ( $\mu\text{H} \pm 20\%$ )	DCR ( $\Omega^{+0}$ )	$I_{\text{sat}}^2$ (A)
SPI0810T-100M-S	10	0.033	8.0
SPI0810T-150M-S	15	0.042	7.0
SPI0810T-220M-S	22	0.054	5.5
SPI0810T-330M-S	33	0.080	4.0
SPI0810T-470M-S	47	0.10	3.8
SPI0810T-680M-S	68	0.17	3.0
SPI0810T-101M-S	100	0.22	2.5
SPI0810T-151M-S	150	0.34	2.0
SPI0810T-221M-S	220	0.44	1.6
SPI0810T-331M-S	330	0.70	1.2
SPI0810T-471M-S	470	0.95	1.0
SPI0810T-681M-S	680	1.2	1.0
SPI0810T-102M-S	1000	2.0	0.8

1. Tested at 100 KHz, 0.1 Vrms
2. Inductance drop= 10% typ. at rated  $I_{\text{sat}}$ .
3. Operating temperature range -40°C to 85°C

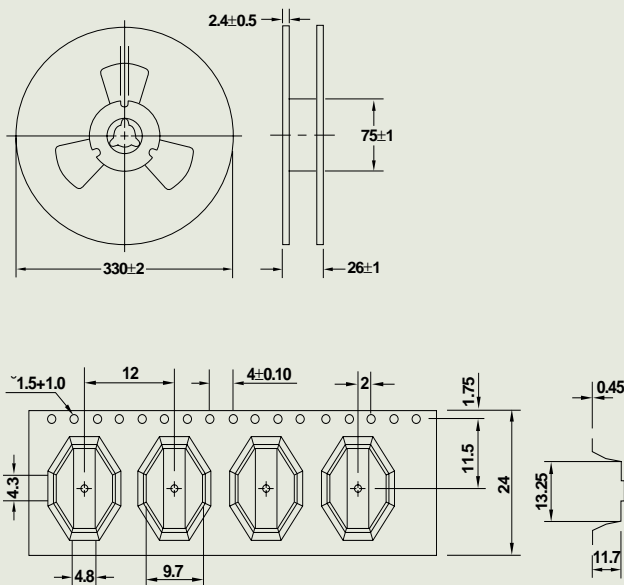


These surface mount power inductors provide optimal current capabilities in a small micro-component-up to 3.5 Arms with an 8 Adc saturation current rating for a 10  $\mu\text{H}$  part.

These parts were specifically designed for reliable surface mounting.They have a flat top and temperature deflection to prevent damage during solder reflow.

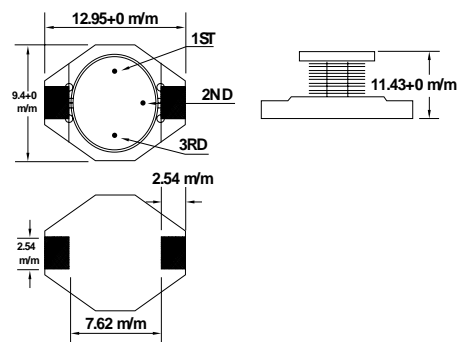
In addition to the standard versions shown here,customized inductors are available to meet your precise requirements

Dimensions : mm



Packing Q uantity : 300  
Reel Dimensions

Dimensions : mm



SMT Power Inductors

# SP1 Series



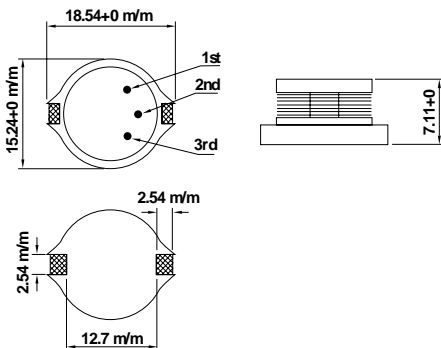
This series of surface mount power inductors is engineered for high current requirements—such as the Pentium Pro and other handheld and portable devices.

A 1 $\mu$ H inductor is rated at 8.6Arms with a saturation current of 20Amps. Extremely low dc resistance (as low as .011 $\Omega$ ) keeps power loss to a minimum.

The SP1306T Series was designed with surface mounting in mind. It has a flat top for reliable placement operations and features ideal temperature deflection.

In addition to the standard versions shown here, customized inductors are available to meet your precision requirements.

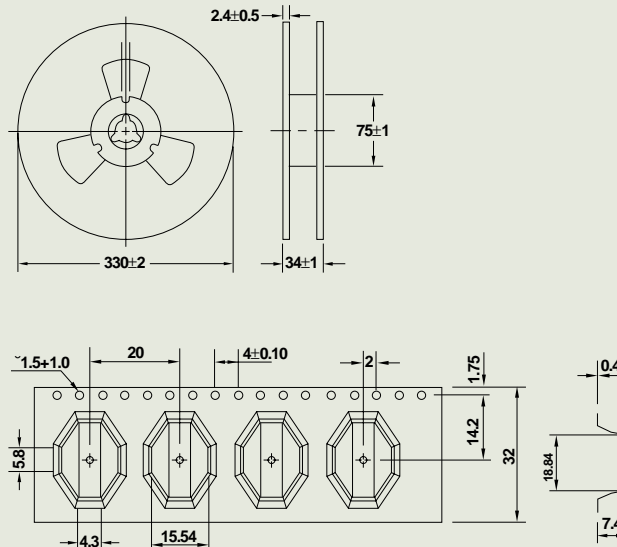
Dimensions : mm



Part Number	Inductance ( $\mu$ H $\pm$ 20%)	DCR ( $\Omega$ $\pm$ 15%)	Isat <sup>2</sup> (A)	Irms <sup>3</sup> (A)
SP1306T-1R0M-S	1.0	0.011	20	8.6
SP1306T-2R2M-S	2.2	0.014	16	7.1
SP1306T-3R3M-S	3.3	0.016	14	6.2
SP1306T-5R6M-S	5.6	0.022	12	5.3
SP1306T-100M-S	10	0.032	10	4.3
SP1306T-150M-S	15	0.036	8.0	4.0
SP1306T-220M-S	22	0.047	7.0	3.5
SP1306T-330M-S	33	0.066	5.5	3.0
SP1306T-470M-S	47	0.87	4.5	2.6
SP1306T-680M-S	68	0.13	3.5	2.3
SP1306T-101M-S	100	0.19	3.0	1.8
SP1306T-151M-S	150	0.25	2.6	1.5
SP1306T-221M-S	220	0.38	2.4	1.2
SP1306T-331M-S	330	0.56	1.9	1.0
SP1306T-471M-S	470	0.85	1.4	0.82
SP1306T-681M-S	680	1.2	1.2	0.72
SP1306T-102M-S	1000	1.8	1.0	0.56

1. Tested at 100 kHz, 0.1 Vrms
2. Inductance drop=10% typ. at rated Isat.
3.  $\Delta$ T=40°C typ at I rms
4. Operating temperature range -40°C to 85°C

Dimensions : mm



Packaging Quantity : 500  
Reel Dimensions