

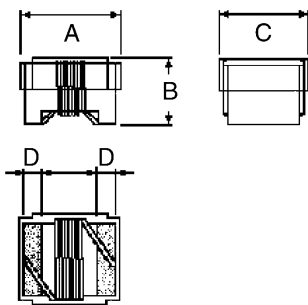
New Series: **HFC-1608**

PRODUCT IDENTIFICATION

Product Item Code	Dimension	Inductance	Tolerance: S = $\pm 0.3nH$, J = $\pm 5\%$, K = $\pm 10\%$, M = $\pm 20\%$
HFC	1608	2N2	S

DIMENSION:
 A: 1.60 ± 0.20 (0.063 \pm 0.008)
 B: 1.05 ± 0.20 (0.041 \pm 0.008)
 C: 1.05 ± 0.20 (0.041 \pm 0.008)
 D: 0.35 ± 0.10 (0.014 \pm 0.004)
 in mm (inch)

Package Quantity: 4,000



ELECTRICAL CHARACTERISTICS

PART NO	INDUCTANCE (nH)	Q Min	Test Freq (MHz)	Self Resonant Freq (MHz)	DCR (Max)	Current Rating (mA)
HFC-1608-2N2S	2.2	45 @ 1000 Mhz	250	6900	.06	700
HFC-1608-3N9S	3.9	45 @ 1000 Mhz	250	6900	.06	700
HFC-1608-4N7S	4.7	45 @ 1000 Mhz	250	5800	.13	700
HFC-1608-6N8K	6.8	60 @ 1000 Mhz	250	5800	.11	700
HFC-1608-8N2K	8.2	60 @ 1000 Mhz	250	4600	.11	700
HFC-1608-10NK	10	60 @ 1000 Mhz	250	4800	.15	700
HFC-1608-12NK	12	60 @ 500 Mhz	250	4000	.13	700
HFC-1608-15NK	15	60 @ 500 Mhz	250	4000	.13	700
HFC-1608-18NK	18	60 @ 500 Mhz	250	3100	.13	700
HFC-1608-22NK	22	60 @ 500 Mhz	250	3000	.17	700
HFC-1608-27NK	27	60 @ 500 Mhz	250	2800	.23	700
HFC-1608-33NK	33	60 @ 500 Mhz	250	2300	.23	600
HFC-1608-39NK	39	60 @ 500 Mhz	250	2200	.23	600
HFC-1608-47NK	47	60 @ 500 Mhz	200	2000	.25	600
HFC-1608-56NK	56	60 @ 500 Mhz	200	1900	.30	600
HFC-1608-68NK	68	60 @ 500 Mhz	200	1700	.34	600
HFC-1608-72NK	72	60 @ 500 Mhz	150	1700	.34	400
HFC-1608-82NK	82	60 @ 500 Mhz	150	1700	.50	400
HFC-1608-R10K	100	45 @ 500 Mhz	150	1400	.70	400
HFC-1608-R12K	120	45 @ 250 Mhz	150	1300	.75	300
HFC-1608-R15K	150	45 @ 250 Mhz	100	990	1.0	280
HFC-1608-R18K	180	45 @ 250 Mhz	100	990	1.2	240
HFC-1608-R22K	220	45 @ 250 Mhz	100	900	1.68	200
HFC-1608-R27K	270	40 @ 250 Mhz	25	900	2.0	170

Operating Temperature -40 C to +125 C. Standard Tolerance listed above. Special Tolerances Available (ask your salesperson for details)

Series: HFC-2012

FEATURES:

The HFC series is designed for high frequency application up to 2 GHz

Coil body made of ceramic material with Q at high frequency.

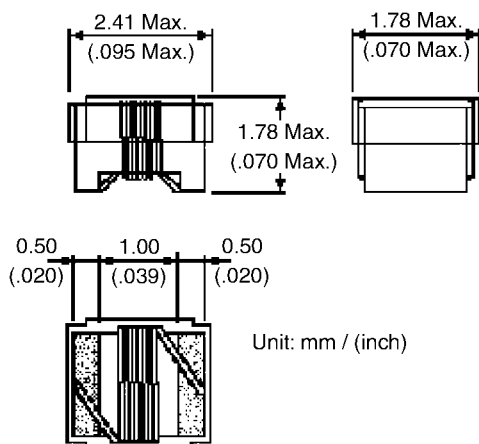
For high frequency application including cellular phone, pagers, mobile communication units etc.

Operating Temperature -40 C to +125 C.

PRODUCT IDENTIFICATION:

Product Item Code	Dimension	Material	Inductance	Tolerance: K = ± 10%, J = ± 5%, M = ± 20%
HFC	2520	C	33N	K

PRODUCT DIMENSIONS:



Package Quantity: 3,000

ELECTRICAL CHARACTERISTICS:

PART NO	INDUCTANCE (nH)	INDUCTANCE TEST FREQ. (MHz)	Q MIN	Q TEST FREQ. (MHz)	S.R.F. (MHz) MIN	DC RESISTANCE (Ω) MAX.	RATED CURRENT (mA) MAX.
HFC-2012C-3N3 □	3.3	250	30	1000	>3000	0.10	600
HFC-2012C-6N8 □	6.8	250	35	1000	>3000	0.11	600
HFC-2012C-8N2 □	8.2	250	40	1000	>3000	0.12	600
HFC-2012C-12N □	12	250	45	500	2750	0.15	600
HFC-2012C-15N □	15	250	45	500	2500	0.17	600
HFC-2012C-18N □	18	250	45	500	2400	0.20	600
HFC-2012C-22N □	22	250	45	500	2200	0.22	500
HFC-2012C-27N □	27	250	45	500	2000	0.25	500

ELECTRICAL CHARACTERISTICS:

PART NO	INDUCTANCE (nH)	INDUCTANCE TEST FREQ. (MHz)	Q MIN	Q TEST FREQ. (MHz)	S.R.F. (MHz) MIN	DC RESISTANCE (Ω) MAX.	RATED CURRENT (mA) MAX.
HFC-2012C-33N □	33	250	40	500	1800	0.27	500
HFC-2012C-39N □	39	250	40	500	1600	0.29	500
HFC-2012C-47N □	47	200	40	500	1400	0.31	500
HFC-2012C-56N □	56	200	40	500	1300	0.34	500
HFC-2012C-68N □	68	200	40	500	1200	0.38	500
HFC-2012C-82N □	82	150	40	500	1020	0.42	400
HFC-2012C-R10 □	100	150	40	500	950	0.46	400
HFC-2012C-R12 □	120	150	35	250	860	0.51	400
HFC-2012C-R15 □	150	100	35	250	780	0.56	400
HFC-2012C-R18 □	180	100	35	250	710	0.64	400
HFC-2012C-R22 □	220	100	30	250	630	0.70	400
HFC-2012C-R27 □	270	100	25	250	490	1.00	300
HFC-2012C-R33 □	330	100	25	250	450	1.40	300
HFC-2012C-R39 □	390	100	25	250	420	1.50	300

Series: HFC-2520

FEATURES:

The HFC series is designed for high frequency application up to 2 GHz.

Coil body made of ceramic material with Q at high frequency.

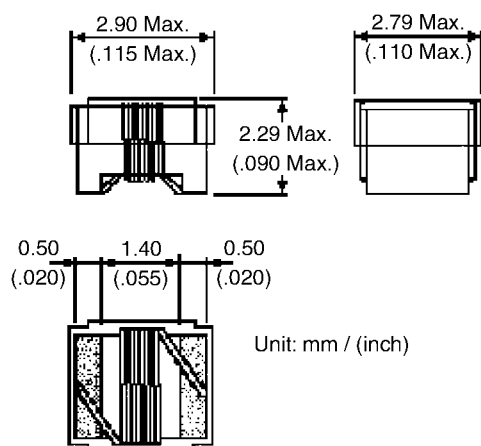
For high frequency application including cellular phone, pagers, mobile communication units etc.

Operating Temperature -40 C to +125 C.

PRODUCT IDENTIFICATION:

Product Item Code	Dimension	Material	Inductance	Tolerance: S = 10.3nH. J = ±5%, M = ±20%
HFC	2012	C	3N3	K

PRODUCT DIMENSIONS:



Package Quantity: 2,000

ELECTRICAL CHARACTERISTICS:

PART NO	INDUCTANCE (nH)	INDUCTANCE TEST FREQ. (MHz)	Q MIN	Q TEST FREQ. (MHz)	S.R.F. (MHz) MIN	DC RESISTANCE (Ω) MAX	RATED CURRENT (mA) MAX
HFC-2520C-10N □	10	50	50	500	>3000	0.08	1000
HFC-2520C-12N □	12	50	50	500	>3000	0.09	1000
HFC-2520C-18N □	18	50	50	350	2500	0.11	1000
HFC-2520C-22N □	22	50	50	350	2000	0.12	1000
HFC-2520C-27N □	27	50	50	350	1500	0.13	1000
HFC-2520C-33N □	33	50	50	350	1500	0.14	1000

PART NO	INDUCTANCE (nH)	Q (Min.)	SELF RESONANT FREQUENCY (MHz) MIN.*	DC RESISTANCE R _{DC} (Ω) MAX.	RATED CURRENT I _{DC} (mA) MAX.		
HFC-2520C-39N □	39	50	50	350	1500	0.15	1000
HFC-2520C-47N □	47	50	50	350	1350	0.16	1000
HFC-2520C-56N □	56	50	50	350	1150	0.18	1000
HFC-2520C-68N □	68	50	50	350	1050	0.20	1000
HFC-2520C-82N □	82	50	50	350	950	0.22	1000
HFC-2520C-R10 □	100	25	25	350	950	0.56	650
HFC-2520C-R12 □	120	25	25	350	900	0.63	650
HFC-2520C-R15 □	150	25	25	100	850	0.70	580
HFC-2520C-R18 □	180	25	25	100	700	0.77	620
HFC-2520C-R22 □	220	25	28	100	600	0.84	500
HFC-2520C-R27 □	270	25	28	100	550	0.91	500
HFC-2520C-R33 □	330	25	30	100	500	1.05	450
HFC-2520C-R39 □	390	25	30	100	465	1.12	470
HFC-2520C-R47 □	470	25	30	100	425	1.19	470
HFC-2520C-R56 □	560	25	30	100	415	1.33	400
HFC-2520C-R62 □	620	25	30	100	375	1.40	300
HFC-2520C-R68 □	680	25	30	100	340	1.47	400
HFC-2520C-R75 □	750	25	33	100	330	1.54	360
HFC-2520C-R82 □	820	25	33	100	325	1.61	400
HFC-2520C-R91 □	910	25	33	50	305	1.68	380
HFC-2520C-1R0 □	1000	25	33	50	290	1.75	370
HFC-2520C-1R2 □	1200	7.9	33	50	250	2.00	310
HFC-2520C-1R5 □	1500	7.9	25	50	200	2.30	330
HFC-2520C-1R8 □	1800	7.9	25	50	160	2.60	300
HFC-2520C-2R2 □	2200	7.9	25	50	160	2.80	280
HFC-2520C-2R7 □	2700	7.9	20	25	140	3.20	290
HFC-2520C-3R3 □	3300	7.9	20	25	110	3.40	290
HFC-2520C-3R9 □	3900	7.9	18	25	100	3.60	260
HFC-2520C-4R7 □	4700	7.9	18	25	90	4.00	260

New Series: HFC-3225

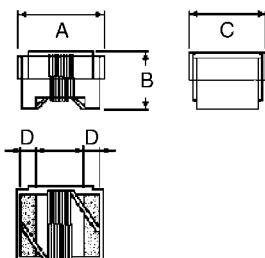
PRODUCT IDENTIFICATION

Product Item Code	Dimension	Inductance	Tolerance: S = $\pm 0.3\text{nH}$, J = $\pm 5\%$, K = $\pm 10\%$, M = $\pm 20\%$
HFC	3225	4N7	S

DIMENSION:

A: 3.20 ± 0.20 (0.126 \pm 0.008)
 B: 2.2 ± 0.20 (0.087 \pm 0.008)
 C: 2.50 ± 0.20 (0.098 \pm 0.008)
 D: 0.50 ± 0.10 (0.020 \pm 0.004)
 in mm (inch)

Package Quantity: 2,000



ELECTRICAL CHARACTERISTICS

PART NO	INDUCTANCE (nH)	Q Min	Test Freq (MHz)	Self Resonant Freq (MHz)	DCR (Max)	Current Rating (mA)
HFC-3225-4N7S	4.7	50 @ 1000 Mhz	100	6000	.06	600
HFC-3225-5N6S	5.6	50 @ 1000 Mhz	100	5500	.06	600
HFC-3225-10NK	10	60 @ 500 Mhz	100	4000	.06	700
HFC-3225-12NK	12	60 @ 500 Mhz	100	3400	.06	700
HFC-3225-15NK	15	60 @ 500 Mhz	100	3200	.06	700
HFC-3225-18NK	18	60 @ 300 Mhz	100	2800	.06	700
HFC-3225-22NK	22	60 @ 300 Mhz	100	2300	.08	700
HFC-3225-27NK	27	60 @ 300 Mhz	100	2000	.08	700
HFC-3225-33NK	33	60 @ 300 Mhz	100	1800	.08	700
HFC-3225-39NK	39	60 @ 300 Mhz	100	1800	.08	700
HFC-3225-47NK	47	60 @ 300 Mhz	100	1600	.08	700
HFC-3225-56NK	56	60 @ 300 Mhz	100	1500	.10	600
HFC-3225-68NK	68	60 @ 300 Mhz	100	1300	.10	600
HFC-3225-82NK	82	60 @ 300 Mhz	100	1200	.10	600
HFC-3225-R10K	100	60 @ 300 Mhz	100	1100	.10	600
HFC-3225-R12K	120	60 @ 300 Mhz	50	900	.12	600
HFC-3225-R15K	150	60 @ 300 Mhz	50	800	.18	400
HFC-3225-R18K	180	60 @ 300 Mhz	50	760	.21	400
HFC-3225-R22K	220	60 @ 300 Mhz	50	760	.27	400
HFC-3225-R27K	270	50 @ 300 Mhz	50	660	.33	300
HFC-3225-R33K	330	50 @ 100 Mhz	50	650	.37	280
HFC-3225-R39K	390	50 @ 100 Mhz	50	600	.63	240
HFC-3225-R47K	470	50 @ 100 Mhz	50	550	.69	200
HFC-3225-R56K	560	50 @ 100 Mhz	50	470	.90	170
HFC-3225-R68K	680	50 @ 100 Mhz	25	450	1.05	400
HFC-3225-R82K	820	50 @ 100 Mhz	25	400	1.45	350
HFC-3225-1R0K	1000	45 @ 100 Mhz	25	340	2.10	280
HFC-3225-1R2K	1200	45 @ 50 Mhz	7.96	320	2.40	250
HFC-3225-1R5K	1500	45 @ 50 Mhz	7.96	300	2.70	220
HFC-3225-1R8K	1800	45 @ 50 Mhz	7.96	280	3.50	180
HFC-3225-2R2K	2200	45 @ 50 Mhz	7.96	260	3.80	150

Operating Temperature -40 C to +125 C. Standard Tolerance listed above. Special Tolerances Available (ask your salesperson for details)