



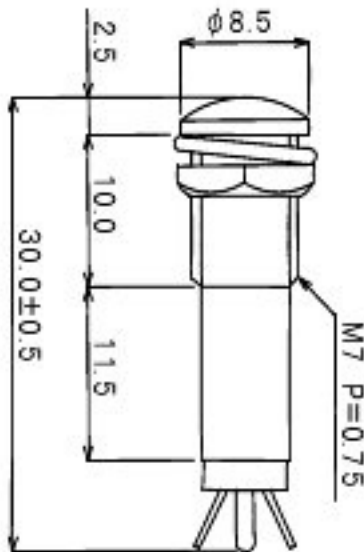
Model 301 Glow Lamp

Model 301 indicator lights are an attractive translucent plastic assembly in a variety of colors for use with neon and green glow lamps. Model 301 has a circular flush lens. Resistors are already installed for use on 100 – 120 volts and can also be special ordered to operate on 220 volts.



Model 301

Package Dimensions



Model 301

Part Numbers

Available Light Sources					
Part #	Light Source	Voltage	Current (mA)	Lens color	Life Hours
KNER-301A	Neon	100-120	1.5	Amber	10,000
KNER-301C	Neon	100-120	1.5	Clear	10,000
KNER-301R	Neon	100-120	1.5	Red	10,000
KNER-301W	Neon	100-120	1.5	White	10,000
KNERL-301A	Neon	100-120	1.5	Amber w/ 6in leads	10,000
KNERL-301C	Neon	100-120	1.5	Clear w/ 6in leads	10,000
KNERL-301R	Neon	100-120	1.5	Red w/ 6in leads	10,000
KNERL-301W	Neon	100-120	1.5	White w/ 6in leads	10,000
KGER-301C	Green Glow	100-120	1.5	Clear w/ 6in leads	10,000
KGER-301G	Green Glow	100-120	1.5	Green w/ 6in leads	10,000
KGERL-301C	Green Glow	100-120	1.5	Clear w/ 6in leads	10,000
KGERL-301G	Green Glow	100-120	1.5	Green w/ 6in leads	10,000

