

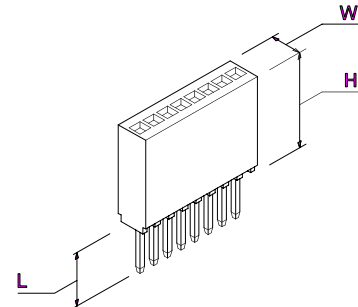
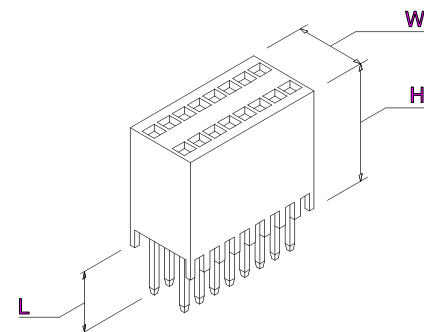
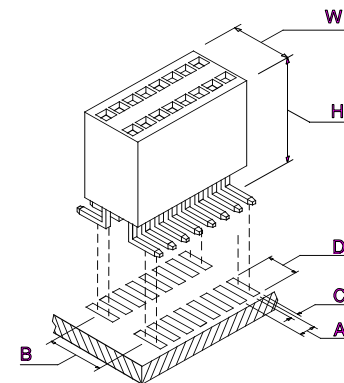
**.050" BOARD MOUNT SOCKETS (Straight / SMT)****FEATURES**

- Excellent for low profile board stacking
- Small centers allow higher density packaging
- IR, Vapor Phase and Wave Solder compatible
- Chamfered entry prevents pin stubbing
- Mates with Crane's PFH, MPFH, PLH and MPLH Series headers

**STANDARD PART DIMENSIONS**

INSULATOR BODY		ATF Single Row	ATF Dual Row	ATF Dual Row SMT
<b>W</b>	WIDTH	0.100" / 2,54mm	0.200" / 5,08mm	0.200" / 5,08mm
<b>H</b>	HEIGHT	0.335" / 8,51mm	0.335" / 8,51mm	0.350" / 8,89mm
<b>S</b>	STANDOFF	0.020" / 0,51mm	0.050" / 1,27mm	N/A
PC TAIL		ATF Single Row	ATF Dual Row	ATF Dual Row SMT
<b>L</b>	LENGTH	0.120" / 3,05mm	0.125" / 3,18mm	N/A
DIAGONAL		0.018" / 0,46mm COINED		N/A
Recommended PC Board Layout		ATF Single Row	ATF Dual Row	ATF Dual Row SMT
<b>A</b>	PAD CENTERLINE SPACING	N/A	N/A	0.050" / 1,27mm
<b>B</b>				0.220" / 5,54mm
<b>C</b>	PAD SIZE			0.025" / 0,64mm
<b>D</b>	PAD SIZE			0.100" / 2,54mm
MATERIALS				
INSULATOR BODY		SINGLE ROW	Nylon (UL94V-O)	
		DUAL ROW	High Temp Thermoplastic (UL94V-O)	
CONTACTS		SINGLE/DUAL	Copper Alloys	

See SPECIFICATIONS and PERFORMANCE DATA for more details

**SINGLE ROW - THRU-HOLE  
(03 to 36 Positions)****DUAL ROW - THRU-HOLE  
(04 to 100 Positions)****DUAL ROW - SMT  
(04 to 100 Positions)****SAMPLE HOTLINE: 1-800-676-7644**

**0.050" (1,27mm) Centers To Mate  
With 0.018" (0,46mm) Posts**

**HOW TO ORDER CRANE'S ATF SERIES**

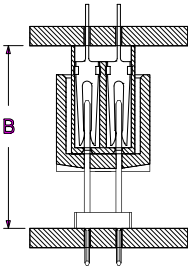
**STANDARD PART NUMBER**

<b>PRODUCT SERIES</b>	ATF							
<b>NUMBER OF POSITIONS</b>	SINGLE	03-36						
	DUAL	04-100						
<b>NUMBER OF ROWS</b>	SINGLE	S						
	DUAL	D						
<b>TYPE OF SOCKET</b>	STRAIGHT		S					
<b>PLATING (See Plating Specifications Below)</b>	G or F							
<b>TAIL PLATING</b>	SAME AS CONTACT (FLASH GOLD)		C					
	TIN/LEAD		T					
<b>TAIL STYLE</b>	STANDARD (Thru-Hole)		F					
	SURFACE MOUNT		S					

NOTE: Standard sizes are MULTIPLES OF TEN; other sizes available

**Crane's ATF Sockets can be combined with MPLH Headers to achieve the BOARD STACKING heights noted below**

**SAMPLE BOARD STACKING COMBOS FOR THRU-HOLE PARTS**

MPLH HEADER MATED WITH ATF SOCKET	SOCKET STYLE	HEADER STYLE (Please Reference Crane's MPLH Web-Catalog Page)					BOARD SPACING ACHIEVED ("B")
		O	E	F	=		
	ATF +	MPLH	O	E	F	=	0.500"
	ATF +	MPLH	K	L	L	=	0.625"
	ATF +	MPLH	K	O	O	=	0.700"
	ATF +	MPLH	K	Q	Q	=	0.750"
	ATF +	MPLH	B	C	E	=	0.450"
	ATF +	MPLH	K	V	V	=	0.935"
	ATF +	MPLH	K	Y	Y	=	1.100"
MPLH HEADER MATED WITH ATF SOCKET	NOTE: Only the sizes highlighted in <b>RED</b> are available with the FINE LINE TAIL option						
	SOCKET STYLE	HEADER STYLE (Please reference Crane's MPLH/SMT Web-Catalog Page)				BOARD SPACING ACHIEVED ("B")	
	ATF +	MPLH / SMT	F	A	=	0.380"	
	ATF +	MPLH / SMT	C	E	=	0.500"	
	ATF +	MPLH / SMT	H	I	=	0.575"	
ATF +	MPLH / SMT	R	L	=	0.625"		

# CRANE CONNECTORS - PLATING SPECIFICATIONS

PLATING OPTIONS		CONTACT AREA Inches (Millimeters)	PC TAIL Inches (Millimeters)	UNDERPLATE Inches (Millimeters)
<b>G</b>	Selective	15 <sub>μ</sub> " (0,00038) Gold	100 <sub>μ</sub> " (0,00254) Tin/Lead - Min	50 <sub>μ</sub> " (0,00127) Nickel - Min.
<b>T</b>	Tin / Lead	100 <sub>μ</sub> " (0,00254) Tin / Lead	100 <sub>μ</sub> " (0,00254) Tin/Lead - Min	50 <sub>μ</sub> " (0,00127) Nickel - Min.
<b>M</b>	Selective	50 <sub>μ</sub> " (0,00127) Gold	100 <sub>μ</sub> " (0,00254) Tin/Lead - Min	50 <sub>μ</sub> " (0,00127) Nickel - Min.
<b>H</b>	Selective	30 <sub>μ</sub> " (0,00076) Gold	100 <sub>μ</sub> " (0,00254) Tin/Lead - Min	50 <sub>μ</sub> " (0,00127) Nickel - Min.
<b>L</b>	Selective	10 <sub>μ</sub> " (0,00025) Gold	100 <sub>μ</sub> " (0,00254) Tin/Lead - Min	50 <sub>μ</sub> " (0,00127) Nickel - Min.
<b>F</b>	Selective	3 <sub>μ</sub> " (0,00008) Gold	100 <sub>μ</sub> " (0,00254) Tin/Lead - Min	50 <sub>μ</sub> " (0,00127) Nickel - Min.

**ENGINEERING NOTE:**

The information presented in this catalog page is accurate to the best of our knowledge. Due to ongoing efforts to advance design and material performance, the information is subject to change without notice.

**STANDARDS**

ISO9001



Crane Connectors  
File No. A-3620

Registered by UL to ISO9001 under UL's accreditation by Raad voor de Certificatie (RvC), the Dutch Council for Certification.

**SAMPLE HOTLINE: 1-800-676-7644**

**CRANE CONNECTORS** • 4700 Smith Road • Cincinnati, Ohio 45212 USA • E-mail Address: info@craneconnectors.com  
Phone: (513) 631-4700 • Fax (513) 631-5700 • Toll Free US (800) 676-7644 • Canada (800) 420-7310