

# .050" SHROUDED HEADER (Elevated Stacking)

## FEATURES

- Four wall shielding provides unmated pin protection
- Custom heights available for board stacking
- Smaller centers allow for higher density packaging
- IR, Vapor Phase, and Wave Solder compatible
- Mates with Crane's AFF and ATF Series sockets

## STANDARD PART DIMENSIONS

MATING		Dual Row MPLF	Dual Row MPLH
P	POST LENGTH	Please refer to the chart on the next page for a wide selection of common post lengths and board spacing options. Call us if the size you need is not listed.	
I	INSULATOR SPACING		
L	TOTAL HEIGHT		

INSULATOR BODY (TOP)		Dual Row MPLF	Dual Row MPLH
W	WIDTH	0.245" / 6,22mm	0.295" / 7,49mm
D	DEPTH	0.160" / 4,06mm	0.245" / 6,22mm
H	HEIGHT	0.215" / 5,46mm	0.300" / 7,62mm
X	INSIDE	(#Pos. X 0.025") + 0.028"	(#Pos. X 0.025") + 0.028"
O	OUTSIDE	(#Pos. X 0.025") + 0.160"	(#Pos. X 0.025") + 0.160"

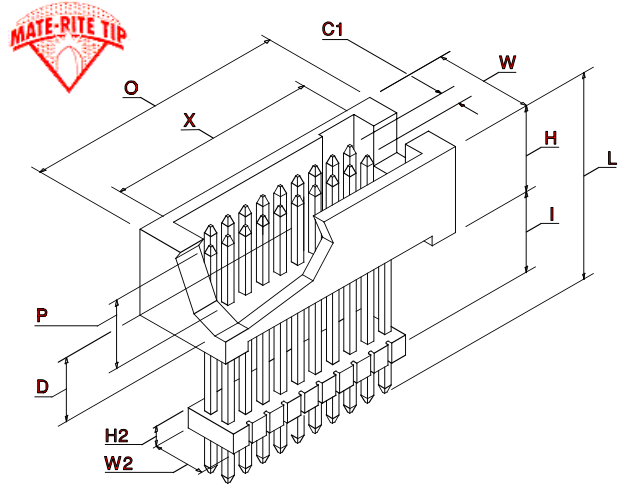
INSULATOR BODY (BOTTOM)		Dual Row MPLF	Dual Row MPLH
W2	WIDTH	0.130" / 3,30mm	0.180" / 4,57mm
H2	HEIGHT	0.050" / 1,27mm	0.050" / 1,27mm
C1	ROW TO ROW	0.050" / 1,27mm	0.100" / 2,54mm

## MATERIALS

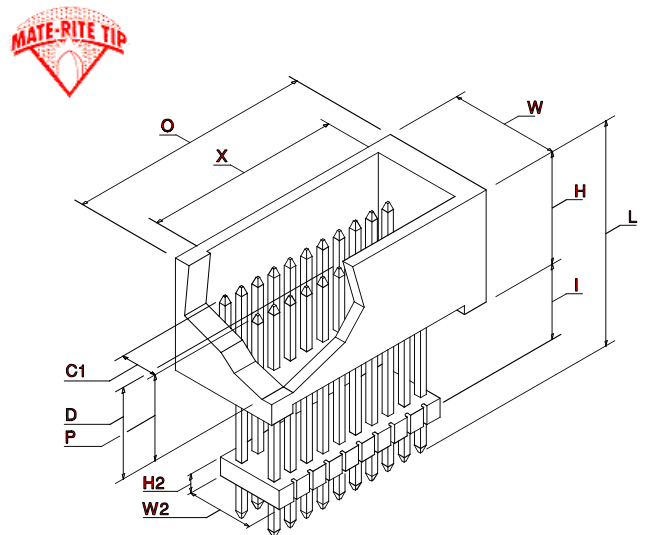
INSULATOR BODY	High Temperature Thermoplastic (UL94V-O)
POST	Phosphor Bronze

See SPECIFICATIONS and PERFORMANCE DATA for more detail

### MPLF (10 to 100 Positions)



### MPLH (10 to 100 Positions)



**SAMPLE HOTLINE: 1-800-676-7644**

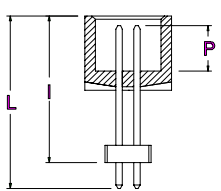
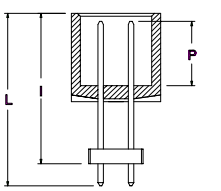
**0.050" (1,27mm) Centers  
0.018" (0,46mm) Square  
Mating Posts**

**HOW TO ORDER CRANE'S MPLF / MPLH SERIES**

STANDARD PART NUMBER

						--			--			
<b>PRODUCT SERIES</b>		MP L										
<b>INSULATOR STYLE</b>	050 x 050	F										
	050 x 100	H										
<b>TOTAL NUMBER OF POSITIONS</b>	DUAL		10-100									
<b>NUMBER OF ROWS</b>	DUAL			D								
<b>TYPE OF HEADER</b>	STRAIGHT				S							
<b>PLATING (See Specs Below)</b>	G, F or T											
NOTE: Not all pin lengths are stocked in all platings. Please contact factory for availability.												
<b>TAIL STYLE ("Q" Option is Standard)</b>	THRU-HOLE	SQUARE TAIL	0.018" / 0,46mm	Q								
	THRU-HOLE	COINED TAIL	0.020" / 0,51mm	R								
	THRU-HOLE	FINE LINE TAIL*	0.018" / 0,46mm	F								

\*NOTE: The FINE LINE option is not available on all pin lengths.

SELECTED OPTIONS		POST LENGTH ("P")	BODY HEIGHT ("I")	TOTAL HEIGHT ("L")			
 <p><b>Options for MPLF</b> (Thru-Hole)</p> <p>Many other sizes are available. Contact Crane with your exact requirements.</p>	0.100" = D	0.410" = E	0.510" = F	D	E	F	
	0.120" = C	0.290" = A	0.390" = B	C	A	B	
	0.140" = F	0.360" = C	0.470" = E	F	C	E	
	0.140" = F	0.485" = I	0.575" = H	F	I	H	
	0.100" = D	0.610" = O	0.710" = N	D	O	N	
 <p><b>Options for MPLH</b> (Thru-Hole)</p> <p>Many other sizes are available. Contact Crane with your exact requirements.</p>	0.120" = C	0.360" = C	0.470" = E	C	C	E	
	0.185" = O	0.410" = E	0.510" = F	O	E	F	
	0.150" = H	0.360" = C	0.470" = E	H	C	E	
	0.185" = O	0.610" = O	0.710" = N	O	O	N	
	0.220" = B	0.360" = C	0.470" = E	B	C	E	
<b>CRANE'S MPLH SERIES WITH FINE LINE TAIL</b>							
<p>Crane's new <b>FINE LINE TAIL</b> option fits an 0.018" (0,46mm) diameter hole!</p>	0.165" = K	0.535" = L	0.660" = L	K	L	L	
	0.165" = K	0.660" = Q	0.785" = Q	K	Q	Q	
	0.165" = K	0.845" = V	0.970" = V	K	V	V	
	0.165" = K	1.010" = Y	1.135" = Y	K	Y	Y	

## CRANE CONNECTORS - PLATING SPECIFICATIONS

PLATING OPTIONS		CONTACT AREA Inches (Millimeters)	PC TAIL Inches (Millimeters)	UNDERPLATE Inches (Millimeters)
<b>G</b>	Selective	15 $\mu$ l" (0,00038) Gold	100 $\mu$ l" (0,00254) Tin/Lead - Min	50 $\mu$ l" (0,00127) Nickel - Min.
<b>T</b>	Tin / Lead	100 $\mu$ l" (0,00254) Tin / Lead	100 $\mu$ l" (0,00254) Tin/Lead - Min	50 $\mu$ l" (0,00127) Nickel - Min.
<b>M</b>	Selective	50 $\mu$ l" (0,00127) Gold	100 $\mu$ l" (0,00254) Tin/Lead - Min	50 $\mu$ l" (0,00127) Nickel - Min.
<b>H</b>	Selective	30 $\mu$ l" (0,00076) Gold	100 $\mu$ l" (0,00254) Tin/Lead - Min	50 $\mu$ l" (0,00127) Nickel - Min.
<b>L</b>	Selective	10 $\mu$ l" (0,00025) Gold	100 $\mu$ l" (0,00254) Tin/Lead - Min	50 $\mu$ l" (0,00127) Nickel - Min.
<b>F</b>	Selective	3 $\mu$ l" (0,00008) Gold	100 $\mu$ l" (0,00254) Tin/Lead - Min	50 $\mu$ l" (0,00127) Nickel - Min.

### ENGINEERING NOTE:

The information presented in this catalog page is accurate to the best of our knowledge. Due to ongoing efforts to advance design and material performance, the information is subject to change without notice.

### STANDARDS

ISO9001



Crane Connectors  
File No. A-3620

Registered by UL to ISO9001 under UL's accreditation by Raad voor de Certificatie (RvC), the Dutch Council for Certification.

**SAMPLE HOTLINE: 1-800-676-7644**