

PIN STRIP HEADER (Straight, Dual Insulator)

FEATURES

- Dual insulator design adds mechanical stability
- Custom heights available for unusual board spacing
- MATE-RITE TIP prevents scraping of mating socket
- Insulator standoffs reduce rework due to flux residue
- Mates with Crane's ATP, ATS, ABH, ABS, ABT Series sockets

STANDARD PART DIMENSIONS

MATING		Single Row	Dual Row	Triple Row
P	POST LENGTH	Please refer to the chart on the next page for a wide selection of common board spacing options. Call us if the size you need is not listed.		
I	INSULATOR SPACING			
L	PIN LENGTH			

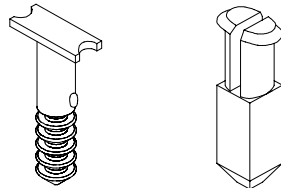
INSULATOR BODY		Single Row	Dual Row	Triple Row
W	WIDTH	0.096"/2,44mm	0.198"/5,03mm	0.295"/7,49mm
H	HEIGHT	0.098"/2,49mm	0.098"/2,49mm	0.098"/2,49mm
S	STANDOFF	0.015"/0,38mm	0.015"/0,38mm	0.015"/0,38mm

MATERIALS

INSULATOR BODY	Glass Filled Polyester (UL94V-0)
POST	Phosphor Bronze

OPTIONAL HOLD DOWN PEGS (See Special Section In Website Catalog)

Crane's unique hold-down pegs (top and bottom entry available) secure part to the PC board preventing misalignment during handling or soldering.

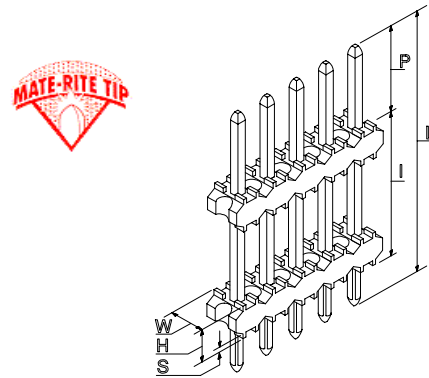


See SPECIFICATIONS and PERFORMANCE DATA for more detail

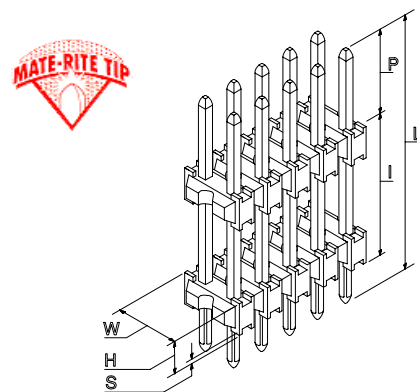
DESIGN NOTE

Insertion forces can really mount up on a high pin count connector ... especially if the pin tip geometry is poor. Crane's **MATE-RITE TIP™** reduces the possibility of "drag" when mating by coining the pin tip for the smoothest corners possible, thereby reducing the insertion force needed to mate.

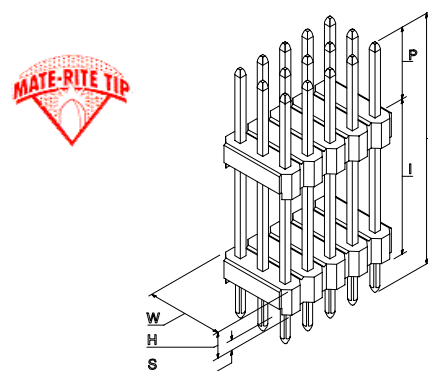
SINGLE ROW (1 to 40 positions)



DUAL ROW (2 to 80 positions)



TRIPLE ROW (9 to 120 positions)



SAMPLE HOTLINE: 1-800-676-7644

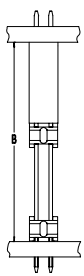
**0.100" (2,54mm) Centers
0.025" (0,64mm) Square
Mating Posts**

HOW TO ORDER CRANE'S MPEG SERIES

STANDARD PART NUMBER

				--			--			
PRODUCT SERIES	MPEG									
See note below for insulator options.										
TOTAL NUMBER OF POSITIONS	SINGLE	0-40								
	DUAL	02-80								
	TRIPLE	09-120								
NUMBER OF ROWS	SINGLE		S							
	DUAL		D							
	TRIPLE		T							
TYPE OF HEADER	STRAIGHT		S							
PLATING (Please Reference Plating Chart)	CHOOSE G, T or M, H, L, F									
NOTE: Due to the number of options, not all platings are stocked for all lengths. Contact factory for availability.										
TAIL	COINED	0.028" / 0,71mm DIAGONAL		R						
	KINKED	0.028" / 0,71mm DIAGONAL		K						
	FINE LINE*	0.018" / 0,46mm DIAGONAL		F						
	SQUARE	0.025" / 0,64mm SQUARE		Q						

*NOTE: The Fine Line Option is not available in all pin lengths.

SELECTED OPTIONS	POST LENGTH "P"	BODY SPACING "I"	PIN LENGTH "L"			
Many other sizes are available. Please call 1-800-676-7644 (or E-mail us at info@craneconnectors.com) and give us your exact requirements.	0.125" = H	0.300" = E	0.545" = K	H	E	K
	0.120" = G	0.400" = G	0.640" = N	G	G	N
BOARD-TO-BOARD SPACING ("B" DIM) WHEN USED WITH ATP BOARD MOUNT SOCKET ON PAGE 32 OF CATALOG	0.125" = H	0.500" = I	0.745" = R	H	I	R
	0.115" = F	0.700" = N	0.935" = X	F	N	X
	0.090" = C	0.900" = Q	1.080" = Y	C	Q	Y
MPEG HEADER MATED WITH ATP SOCKET 	0.425" / 10,80mm	0.230" = B	0.100" = Z	B	Z	G
	0.500" / 12,70mm	0.230" = B	0.175" = B	B	B	J
	0.525" / 13,34mm	0.230" = B	0.200" = C	B	C	K
	0.625" / 15,99mm	0.230" = B	0.300" = E	B	E	N
	0.750" / 19,00mm	0.230" = B	0.425" = H	B	H	R
	0.875" / 22,23mm	0.230" = B	0.550" = J	B	J	W
	1.000" / 25,40mm	0.230" = B	0.675" = M	B	M	Y
	1.125" / 28,58mm	0.170" = N	0.800" = O	N	O	Y
1.225" / 31,12mm	0.230" = B	0.900" = Q	B	Q	Z	

INSULATOR NOTE:

Standard insulator color on Crane's MPEG Series is WHITE, except for triple row parts. For a BLACK insulator on single or dual row parts, insert a "B" (BMPEG) at the beginning of the part number. For high temp plastic (black only), add a "G" (GMPEG).

CRANE CONNECTORS - PLATING SPECIFICATIONS

PLATING OPTIONS		CONTACT AREA Inches (Millimeters)	PC TAIL Inches (Millimeters)	UNDERPLATE Inches (Millimeters)
G	Selective	15 μ " (0,00038) Gold	100 μ " (0,00254) Tin/Lead - Min	50 μ " (0,00127) Nickel - Min.
T	Tin / Lead	100 μ " (0,00254) Tin / Lead	100 μ " (0,00254) Tin/Lead - Min	50 μ " (0,00127) Nickel - Min.
M	Selective	50 μ " (0,00127) Gold	100 μ " (0,00254) Tin/Lead - Min	50 μ " (0,00127) Nickel - Min.
H	Selective	30 μ " (0,00076) Gold	100 μ " (0,00254) Tin/Lead - Min	50 μ " (0,00127) Nickel - Min.
L	Selective	10 μ " (0,00025) Gold	100 μ " (0,00254) Tin/Lead - Min	50 μ " (0,00127) Nickel - Min.
F	Selective	3 μ " (0,00008) Gold	100 μ " (0,00254) Tin/Lead - Min	50 μ " (0,00127) Nickel - Min.

STANDARD TAIL OPTIONS ON 0.100" (2,54mm) PIN STRIP HEADERS

"R" COINED	"K" KINKED	"F" FINE	"Q" SQUARE
The standard "R" option provides a coined tail improving solder action while making insertion easier.	The "K" option provides a kinked tail, reducing unwanted movement on the PC board.	The "F" option combines an 0.018" rounded tail with an 0.025" square post. This fine line feature allows more traces between holes.	The "Q" option provides an 0.025" square tail for use in wire wrap applications.

STANDARDS

 UL File No. E120111 (N)	ISO9001  Crane Connectors File No. A-3620
Recognized to U.S. and Canadian requirements under the Component Recognition Program of Underwriters Laboratories Inc.	Registered by UL to ISO9001 under UL's accreditation by Raad voor de Certificatie (RvC), the Dutch Council for Certification.

ENGINEERING NOTE: The information presented in this catalog page is accurate to the best of our knowledge. Due to ongoing efforts to advance design and material performance, the information is subject to change without notice.

SAMPLE HOTLINE: 1-800-676-7644

CRANE CONNECTORS • 4700 Smith Road • Cincinnati, Ohio 45212 USA • E-mail Address: info@craneconnectors.com
 Phone: (513) 631-4700 • Fax (513) 631-5700 • Toll Free US (800) 676-7644 • Canada (800) 420-7310