

PIN STRIP HEADER (Straight, Thin Insulator)

FEATURES

- MATE-RITE TIP prevents scraping of mating socket
- Lower profile allows tighter packaging
- Rounded tails improve solder action
- Terminals of precision drawn phosphor bronze wire
- Mates with Crane's ATP, ATS Sockets; JUN jumpers

STANDARD PART DIMENSIONS

MATING		SINGLE ROW	DUAL ROW
P	POST "A"	0.318" / 8,08mm	0.318" / 8,08mm
	POST "B"	0.230" / 5,84mm	0.230" / 5,84mm
	POST "M"	0.295" / 7,49mm	0.295" / 7,49mm
	POST "I"	See Attached Options (next page)	

INSULATOR BODY		SINGLE ROW	DUAL ROW
W	WIDTH	0.096" / 2,44mm	0.198" / 5,03mm
H	HEIGHT	0.080" / 2,03mm	0.070" / 1,78mm
S	STANDOFF	0.015" / 0,38mm	0.015" / 0,38mm

PC TAIL		SINGLE ROW	DUAL ROW
L	LENGTH	0.125" / 3,18mm	0.125" / 3,18mm

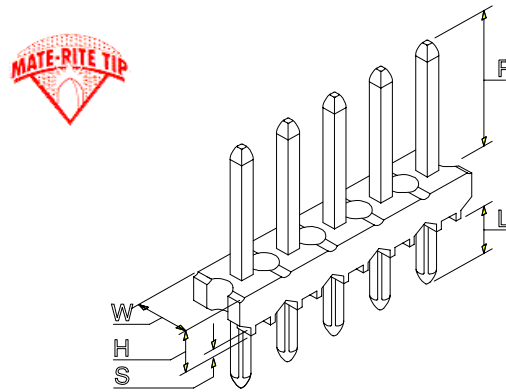
For other lengths, see Selected Options (next page)

MATERIALS

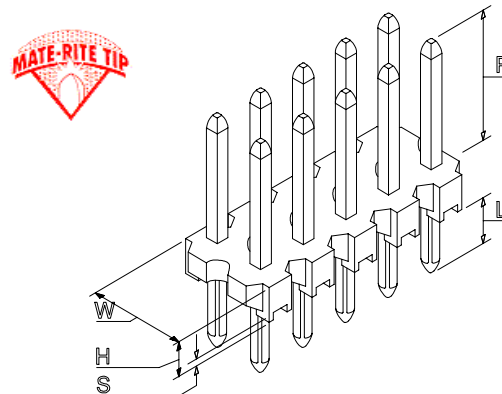
INSULATOR BODY	Glass Filled Polyester (UL94V-O)
POST	Phosphor Bronze

See SPECIFICATIONS and PERFORMANCE DATA for more detail

SINGLE ROW (1 to 40 Positions)



DUAL ROW (2 to 80 Positions)



Can't Find It? TAILOR IT!

In the insulator thickness you desire is not listed as a standard product, give us a call! Crane's TAILORED PRODUCTS may be just the answer ... without tooling or high minimum orders. Please reference the section titled TAILORED PRODUCTS for more information on this service.

SAMPLE HOTLINE: 1-800-676-7644



0.100" (2,54mm) Centers To Mate With 0.025" (0,64mm) Square Mating Posts		HOW TO ORDER CRANE'S TPEG SERIES									
		STANDARD PART NUMBER						OPTIONAL			
						--					
PRODUCT SERIES		TPEG									
See page below for insulator options											
TOTAL NUMBER OF POSITIONS		SINGLE	01-40								
		DUAL	02-80								
NUMBER OF ROWS		SINGLE	S								
		DUAL	D								
TYPE OF HEADER		STRAIGHT		S							
PLATING (See Specs At Bottom Of Page)		G,T or M, H, L, F									
		NOTE: Some platings may be subject to minimums									
MATING POST DATA		Mating Post Length		Minimum Gold Plated Area							
		0.318" / 8,08mm		0.180" / 4,57mm		A					
		0.230" / 5,84mm		0.180" / 4,57mm		B					
		0.295" / 7,49mm		0.180" / 4,57mm		M					
		OPTIONAL LENGTH - See Below				I					
TAIL (0.125" / 3,18mm STANDARD)		COINED		0.028" / 0,71mm Diagonal		R					
		KINKED		0.028" / 0,71mm Diagonal		K					
		FINE LINE*		0.018" / 0,46mm Diagonal		F					
		SQUARE		0.025" / 0,64mm SQ		Q					
		* The FINE LINE option is not available in all pin lengths.									
SELECTED OPTIONS				POST	TAIL						
<p>If the standard dimensions shown above meet your needs, DISREGARD this section.</p> <p>If you need one of our OPTIONAL dimensions, just add the designator (see chart) to the end of the standard part number.</p> <p>EXAMPLE: To order a .230" post with a 0.220" tail, specify TPEG40SS-GBRT220.</p> <p>Many other sizes are available. Please call us for more information.</p>		I		0.450"	0.125"	4	5	0			
				0.550"	0.125"	5	5	0			
				0.650"	0.125"	6	5	0			
				0.750"	0.125"	7	5	0			
		B		0.230"	0.080"	T	0	8	0		
				0.230"	0.165	T	1	6	5		
				0.230"	0.220"	T	2	2	0		
				0.230"	0.350"	T	3	5	0		
CONTINUED - Please Page down for More Choices											

<p>INSULATOR OPTIONS</p> <p>The standard color of our TPEG SERIES insulator is white. For a black insulator, add a "B" (EX: BTPEG) to the beginning of the standard part number. For HIGH TEMP plastic (only available in black), add a "G" (EX: GTPEG) to the standard part number.</p>	B	0.230"	0.450"	T	4	5	0
		0.230"	0.550"	T	5	5	0
	A	0.318"	0.090"	T	0	9	0
		0.318"	0.155"	T	1	5	5
		0.318"	0.250"	T	2	5	0
		0.318"	0.350"	T	3	5	0
		0.318"	0.450"	T	4	5	0
		0.318"	0.550"	T	5	5	0

CRANE CONNECTORS - PLATING SPECIFICATIONS

PLATING OPTIONS		CONTACT AREA Inches (Millimeters)	PC TAIL Inches (Millimeters)	UNDERPLATE Inches (Millimeters)
G	Selective	15 μ " (0,00038) Gold	100 μ " (0,00254) Tin/Lead - Min	50 μ " (0,00127) Nickel - Min.
T	Tin / Lead	100 μ " (0,00254) Tin / Lead	100 μ " (0,00254) Tin/Lead - Min	50 μ " (0,00127) Nickel - Min.
M	Selective	50 μ " (0,00127) Gold	100 μ " (0,00254) Tin/Lead - Min	50 μ " (0,00127) Nickel - Min.
H	Selective	30 μ " (0,00076) Gold	100 μ " (0,00254) Tin/Lead - Min	50 μ " (0,00127) Nickel - Min.
L	Selective	10 μ " (0,00025) Gold	100 μ " (0,00254) Tin/Lead - Min	50 μ " (0,00127) Nickel - Min.
F	Selective	3 μ " (0,00008) Gold	100 μ " (0,00254) Tin/Lead - Min	50 μ " (0,00127) Nickel - Min.

STANDARD TAIL OPTIONS ON 0.100" (2,54mm) PIN STRIP HEADERS			
"R" COINED	"K" KINKED	"F" FINE	"Q" SQUARE
The standard "R" option provided a coined tail improving solder action while making insertion easier.	The "K" option provides a kinked tail, reducing unwanted movement on the PC board.	The "F" option combines an 0.018" rounded tail with an 0.025" square post. This fine line feature allows more traces between holes.	The "Q" option provides a 0.025" square tail for use in wire wrap applications.

STANDARDS	
 UL File No. E120111 (N)	ISO9001  Crane Connectors File No. A-3620
Recognized to U.S. and Canadian requirements under the Component Recognition Program of Underwriters Laboratories Inc.	Registered by UL to ISO9001 under UL's accreditation by Raad voor de Certificatie (RvC), the Dutch Council for Certification.

ENGINEERING NOTE: The information presented in this catalog page is accurate to the best of our knowledge. Due to ongoing efforts to advance design and material performance, the information is subject to change without notice.

SAMPLE HOTLINE: 1-800-676-7644