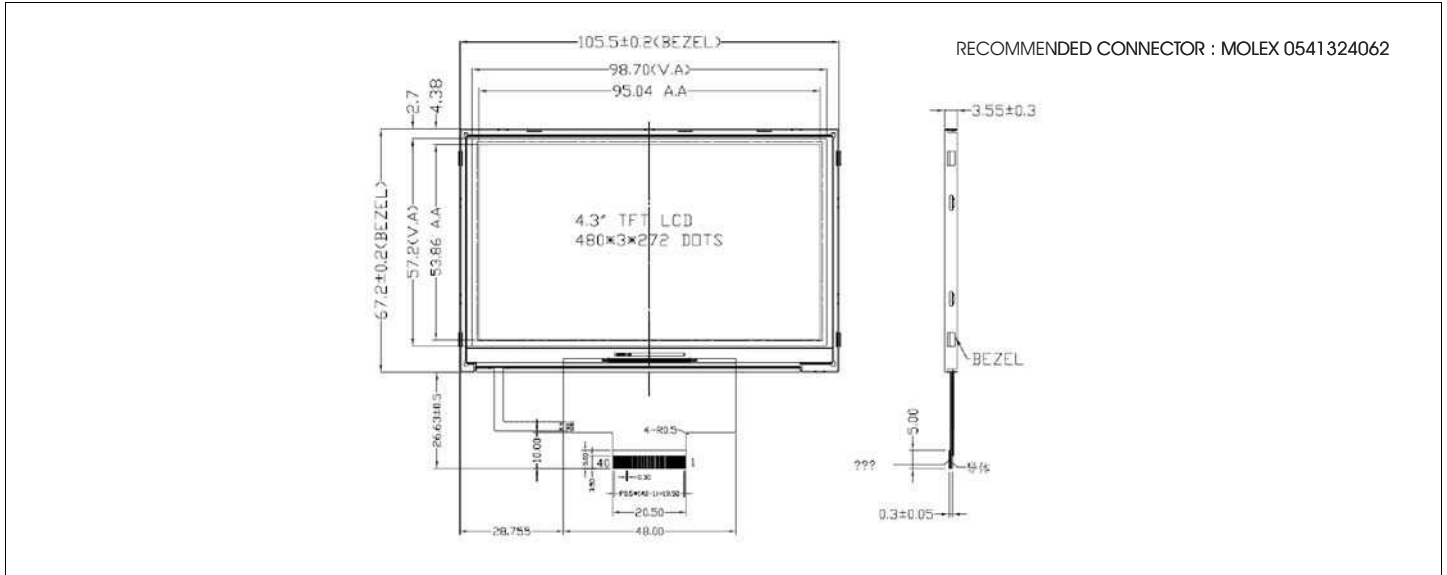


HDA430M

Dimensional Drawing

4.3", 480x3x272 TFT, Transmissive Monochrome, Landscape, White LED Backlight



RECOMMENDED CONNECTOR : MOLEX 0541324062

Features

- Viewing Angle(H/V).....120/120 degrees
- High Contrast.....550.
- Fast Response Time.....45 msec
- Built-in DC-DC Converter
- Built-in Controller.....none
- Touch screenoptional

Electrical Characteristics (VDD=3.3±0.125V 25°C)

PARAMETER	SYM	CONDITION	MIN	TYP	MAX	UNIT
OPERATING VOLTAGE	V _{DD}	-	TBD	3.3	TBD	V
INPUT HIGH VOLTAGE	V _{HI}	-	0.7V _{DD}	-	V _{DD}	V
INPUT LOW VOLTAGE	V _{LI}	-	0	-	0.3V _{DD}	V
OPERATING CURRENT	I _{DD}	-	-	TBD	-	mA
LED OPERATING VOLTAGE	V _{LED}	-	18.6	19.8	21.0	V
OPERATING CURRENT	I _{FLED}	-	-	20	-	mA
POWER CONSUMPTION	P _D	-	-	TBD	-	mW
BRIGHTNESS	L	-	-	450	-	cd/m ²

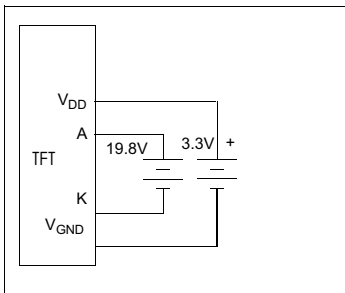
Physical Data

- Module Size.....105.5W x67.2H xTBD T mm
- Viewing Area Size.....98.7W x 57.2H mm
- Dot Pitch.....TBD
- Weight..... TBD

Pin Connections

PIN NO.	SYMBOL	FUNCTION	
1-2	VSS		Ground
3-4	DVDD		Power Supply
5	DB0		Data Bit 0
6	DB1		Data Bit 1
7	DB2		Data Bit 2
8	DB3		Data Bit 3
9	DB4		Data Bit 4
10	DB5		Data Bit 5
11	DB6		Data Bit 6
12	DB7		Data Bit 7
13	DB8		Data Bit 8
14	DB9		Data Bit 9
15	DB10		Data Bit 10
16	DB11		Data Bit 11
17	DB12		Data Bit 12
18	DB13		Data Bit 13
19	DB14		Data Bit 14
20	DB15		Data Bit 15
21	DB16		Data Bit 16
22	DB17		Data Bit 17
23	DB18		Data Bit 18
24	DB19		Data Bit 19
25	DB20		Data Bit 20
26	DB21		Data Bit 21
27	DB22		Data Bit 22
28	DB23		Data Bit 23
29	VSS		Ground
30	PCLK	H/L	Data Clock
31	DEN	H	Data Enable
32	HSYNC	L	Horizontal Sync
33	VSYNC	L	Vertical Sync
34	NC	-	No Connection
35-36	NC	-	No Connection
37	A		LED Backlight Anode
38	A		LED Backlight Anode
39	K		LED Backlight Cathode
40	K		LED Backlight Cathode

Power Supply



Absolute Maximum Ratings

PARAMETER	SYMBOL	MIN	MAX	UNIT
SUPPLY VOLTAGE	V _{DD}	0	5.0	V
BACKLIGHT CURRENT (LED)	I _{LED}	-	TBD	mA
INPUT VOLTAGE	V _{IN}	-0.3	V _{DD} +0.3	V
OPERATING TEMPERATURE	T _{OP}	-20	70	°C
STORAGE TEMPERATURE	T _{STG}	-30	80	°C