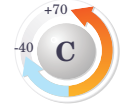


Rigid-752



Extreme Rugged, Intel® Core™ i5-520M, Fanless Embedded Controller



Features

- **Wide Operating Temperature (-40 ~ 70°C)**
- **Fanless Design**
- Wide-Range DC Power Input (10 ~ 28V)
- Serial Port with 5V/12V Power Output
- RS-485 Auto-flow supported
- Rugged Design for Shock/Vibration Protection
- Various Video Interfaces (Analog RGB, DisplayPort, DVI) supported
- Outside Accessible CFast and SIM slots supported
- Optional Wi-Fi or HSUPA Wireless Connection supported
- Rugged Design for Shock/Vibration Protection
- Easy Installation/Maintenance
- RAID 0, 1 supported
- Intel® SSD compatible

System	
CPU	Intel® Core™ i5-520M 2.4GHz in PGA988 socket
Memory	2 x 204-pin DDR3 SO-DIMM sockets, supporting 800/1066MHz SDRAM up to 8GB 2GB WT DDR3 memory module installed
Chipset	Intel® QM57
Graphics	Integrated Intel® HD Graphics controller
ATA	2 x Serial ATA ports with 300MB/s HDD transfer rate
LAN Chipset	2 x Intel® WG82574IT GbE controllers
Watchdog Timer	1~255 levels reset
I/O	
Serial Port	1 x DB-44 female connector 4 x RS-232 ports (COM3, 4 are RS-232/485 selectable)
USB Port	8 x USB 2.0 ports
LAN	2 x RJ-45 ports for GbE
Video Port	1 x DB-15 female connector for Analog RGB 1 x DisplayPort 1 x DVI-D female connector for Digital Video output
Selectable Port	DVI-D by default, can be changed to DIO or LPT 1 x 16-bit digital I/O, 8 in/8 out SPP/EPP/ECP mode selectable for LPT
Audio	Mic-in/Line-out (6W pre-amplified)
KB/MS	1 x 6-pin Mini-DIN for keyboard and mouse
Expansion Bus	1 x PCIe x8 slota 1 x PCIe x1 slot 1 x Mini-card slot interconnected with SIM card socket for optional Wi-Fi or HSUPA module 1 x SIM socket (outside accessible)

Environmental

Operating Temp.	-40 ~ 70°C (-40 ~ 158°F), ambient w/ air flow
Storage Temp.	-40 ~ 85°C (-40 ~ 185°F)
Operating Humidity	10 ~ 95% @ 70°C (non-condensing)
Vibration	3 Grms/5~500Hz/random operation
Shock	Operating 40G (11ms), Non-operating 60G with CFast/SSD

Qualification

Certification	CE, FCC Class A
Power Requirement	
Power Input	DC 10~28V input (w/ 4-pin DC input terminal block, combining remote power on/off switch)
Power Consumption	Max. 50W (w/o I/O card)

Storage

Type	2 x 2.5" drive bays for HDD/SSD w/ 9.5mm height limit 1 x CFast socket, can be outside accessible
------	--

Mechanical

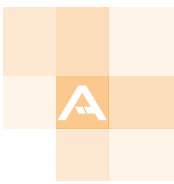
Construction	Aluminum alloy
Mounting	Wall-mount
Weight	4.5 kg (9.9 lb)
Dimensions (W x D x H)	195 x 268 x 110 mm (7.68" x 10.55" x 4.33")

OS Support

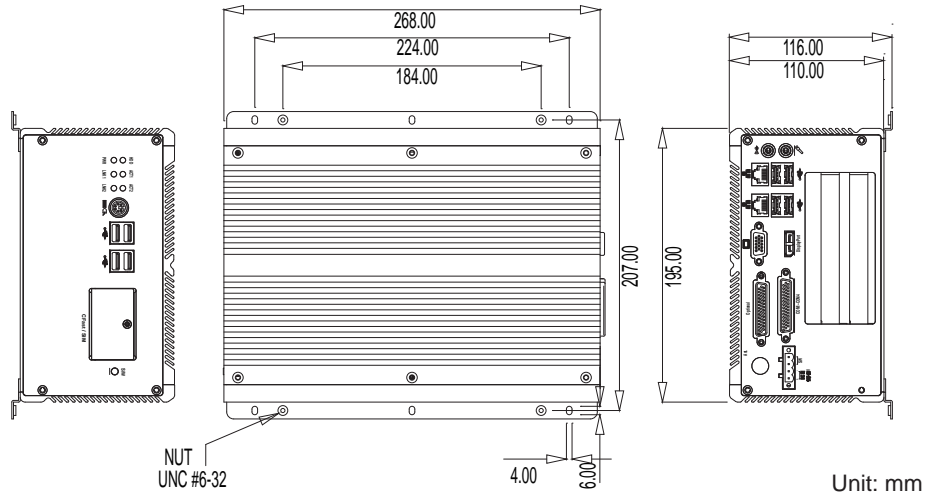
XPe / XP Pro / W7 Pro / WS7E

Ordering Information

Rigid-752	Fanless embedded controller
-----------	-----------------------------



Dimensions



Standard Accessories

PAC-B120W-FSP 19V/6.32A 120W AC/DC adapter kit



CBL-7100-COM 4 x COM ports converter cable



WMK-7000 Wall-mount kit for FPC-7XXX Series



Optional Configuration (CTOS* Kit)

80GB SSD Intel® 2.5" 80GB SATAIII SSD kit



HSPA-SI1400 HSUPA 3.75G module kit & internal wiring



WIFI-AT2300 Atheros AR9462 Wi-Fi module w/ 20cm internal wiring



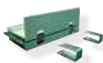
ANT-H11 1 x 2dBi HSUPA antenna



ANT-D11 1 x Wi-Fi Dual-band 2.4G/5G antenna



MK-3I-2G-2 Industrial DDR3 2GB SDRAM DIMM2 kit



MK-3I-4G-2 Industrial DDR3 4GB SDRAM DIMM2 kit



*CTOS means Configure-to-Order Service.

» Front-accessible CFast & SIM for Easy Maintenance



Loosen the screw and open the door



Insert the CFast card



Insert the SIM card