

# FPC-7300

Robust Box PC with Intel® Socket P Core™ 2 Duo or Celeron® M Platform



## Features

- **Fanless Design**
- Wide Range DC Power Input (10 ~ 28V)
- Support Various Video Interfaces (Analog RGB, DVI, DisplayPort, TV-out)
- Support Outside Accessible CF Slot
- Support Optional WiFi Connection
- Rugged Design for Shock/Vibration Protection
- Easy Installation/Maintenance
- Intel® SSD Compatible

## System

<b>CPU</b>	Intel® Socket P (Penryn/Merom) Core™ 2 Duo/ Celeron® M with 667/800/1066MHz FSB
<b>Memory</b>	2 x 200-pin DDR2 SO-DIMM sockets, supporting 667/800MHz SDRAM up to 4GB
<b>Chipset</b>	Intel® GM45 + ICH9M
<b>Graphics</b>	Intel® GM45 integrated GMA X4500, supporting DirectX 10, Shader Model 4.0
<b>ATA</b>	2 x Serial ATA ports with 300MB/s HDD transfer rate
<b>LAN Chipset</b>	2 x Realtek 8111 GbE controllers
<b>Watchdog Timer</b>	1~255 levels reset

## I/O

<b>Serial Port</b>	1 x DB-44 female connector Support 4 x RS-232 ports (COM4 is RS-232/422/485 selectable)
<b>USB Port</b>	8 x USB 2.0 ports
<b>LAN</b>	2 x RJ-45 ports for GbE
<b>Video Port</b>	1 x DB-15 female connector for Analog RGB 1 x DisplayPort DVI-D by default, can be changed to DIO or LPT
<b>TV-out</b>	1 x 7-pin Mini-DIN connector for S-Video output, or Composite output via external cable DVI, Digital I/O or LPT (selectable)
<b>Selectable Port</b>	1 x DVI-D female connector for Digital Video output 1 x 16-bit digital I/O, 8 in/8 out SPP/EPP/ECP mode for LPT
<b>Audio</b>	Mic-in/Line-out (6W pre-amplified)
<b>KB/MS</b>	1 x 6-pin Mini-DIN for Keyboard and Mouse
<b>Expansion Bus</b>	1 x PCI slot 1 x Mini-card slot for optional WiFi module

## Environmental

<b>Operating Temp.</b>	-20 ~ 55°C (-4 ~ 131°F), ambient w/ air flow
<b>Storage Temp.</b>	-40 ~ 85°C (-40 ~ 185°F)
<b>Operating Humidity</b>	10 ~ 95% @ 55°C (non-condensing)
<b>Vibration</b>	3 Grms/5~500Hz/random operation
<b>Shock</b>	Operating 40G (11ms), Non-Operationg 60G with CF/SSD

## Qualification

<b>Certification</b>	CE, FCC Class A
----------------------	-----------------

## Power Requirement

<b>Power Input</b>	DC 10~28V input (w/ 4-pin DC input terminal block, combining remote power on/off switch)
<b>Power Consumption</b>	Max. 50W (w/o I/O card)

## Storage

<b>Type</b>	1 x 2.5" drive bay for HDD/SSD 1 x CompactFlash Type II socket, can be outside accessible
-------------	--

## Mechanical

<b>Construction</b>	Aluminum alloy
<b>Mounting</b>	Support wall-mounting
<b>Weight</b>	3.9 kg (8.6 lb)
<b>Dimensions (W x D x H)</b>	195 x 268 x 80 mm (7.68" x 10.55" x 3.15")

## OS Support

Windows XP Embedded / Windows XP Professional / Windows Embedded 7 Professional / Windows Embedded 7 Standard

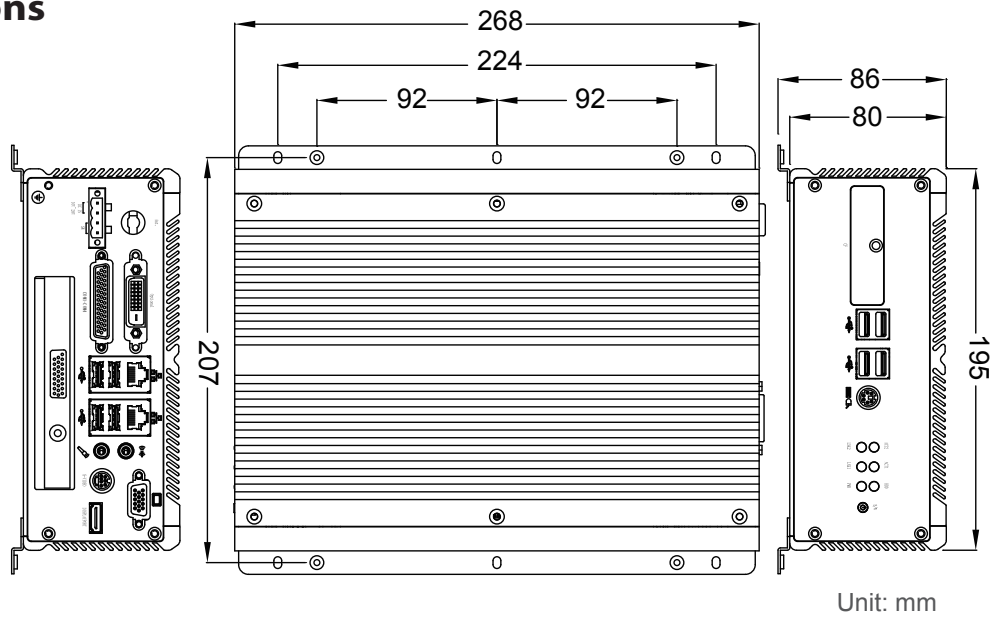
## Ordering Information

<b>FPC-7300</b>	Barebone system w/o storage device, CPU and memory
-----------------	--

### » Fanless and Modular Design



## Dimensions



## Optional Accessories

**PAC-B120W-FSP** 19V/6.32A 120W AC/DC adapter kit



**WMK-7000** Wall-mount kit for FPC-7XXX Series



**CBL-7100-COM** 4 x COM ports converter cable



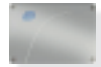
## Optional Configuration (CTOS\* Kit)

**MK-2C-2G-1** DDR2-800 2GB SDRAM DIMM1 kit



**MK-2C-2G-2** DDR2-800 2GB SDRAM DIMM2 kit

**SSD-25040** Intel® 2.5" 40GB SATAII SSD kit



**WIFI-IN1300** Intel® Centrino® Advanced-N 6205 WiFi module w/ 20cm internal wiring



**Core™ 2 Duo P8400** Core™ 2 Duo P8400 2.26GHz w/ 3M cache

**Celeron® Dual Core T3100** Celeron® Dual Core T3100 1.9GHz w/ 1M cache

**Celeron® M 575** Celeron® M 575 2.0GHz w/ 1M cache



**ANT-D11** 1 x WiFi Dual-band 2.4G/5G antenna



\*CTOS means Configure-to-Order Service.

## » Front-access CF for Easy Maintenance



Unscrew and pull down the door



Insert CF card