

Accessory

VMC-1040

Vehicle-mount cradle for M1040/M1042



Specifications

Color & Material	White, Plastic
Mounting Compatibility	RAM-ball mount; VESA-75
I/O Ports	2 x USB, 1 x RJ-45, 1 x RS-232, 1 x VGA, 1 x DC Plug (bottom side) 2 x USB (left side) 1 x Smart Card Reader, 1 x MSR (front side)
LED Indicator	Power/MSR/Smart Card/Battery LED

Mechanical & Environmental

Operating Temp.	0 ~ 45°C (32 ~ 113°F)
Storage Temp.	-20 ~ 60°C (-4 ~ 140°F)
Operating Humidity	10 ~ 95% @ 45° (non-condensing)
Dimensions (W x D x H)	265.9 x 99.98 x 288.19 mm (10.47" x 3.94" x 11.35")
Weight (Net)	726 g (1.6 lb)
Vibration	1 Grms/ 5 ~ 500Hz/ Random operation
Shock	10G peak acceleration (11 ms duration)

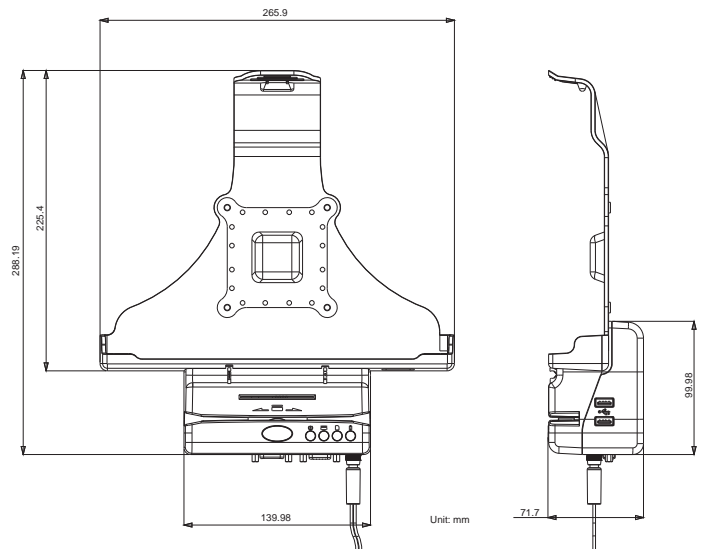
Power

Requirement	18 ~ 24V, DC-IN
-------------	-----------------

Ordering Information

VMC-1040	Vehicle-mount cradle for M1040/M1042
DMK-1040	Bracket to convert VMC-1040 to the desktop type

Dimensions



VMC-1040
(Front Side)



VMC-1040
(Rear Side)



DMK-1040
(Rear Side)



M1040 w/
VMC-1040 & DMK-1040

