

DTC-0710

Desktop Docking Station for Gladius G0710/G0710S



Specifications

| | |
|-------------------------------|--|
| Color & Material | Black, SECC |
| Mounting Compatibility | RAM mount; VESA-75 |
| I/O Ports | 2 x RS-232, 1 x RJ-45, 1 x VGA, 2.5φ Power jack (back side) 2 x USB (left side) |

Mechanical & Environmental

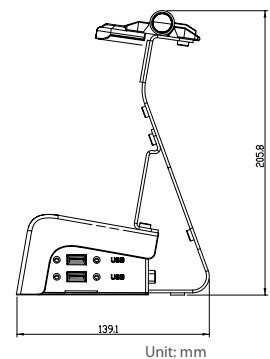
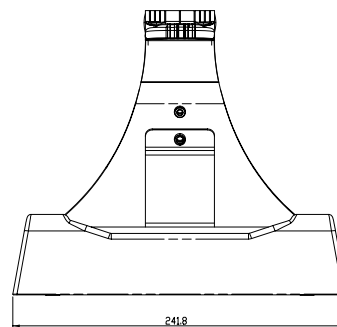
| | |
|-------------------------------|---|
| Discharging Temp. | 0 ~ 45°C (32 ~ 113°F) |
| Storage Temp. | -20 ~ 60°C (-4 ~ 140°F) |
| Operating Humidity | 5 to 95% (non-condensing) |
| Dimensions (W x D x H) | 241.8 x 139.1 x 205.8 mm (9.52" x 5.48" x 8.1") |
| Weight (Net) | 1.22 kg (2.69 lb) |
| Vibration | 1 Grms/ 5 ~ 500Hz/ Random operation |
| Shock | 10G peak acceleration (11 ms duration) |

Power

| | |
|--------------------|-----------------|
| Requirement | 18 ~ 24V, DC In |
|--------------------|-----------------|

Ordering Information

| | |
|-----------------|--|
| DTC-0710 | Desktop docking station for Gladius G0710/G0710S |
|-----------------|--|



Swappable Battery BAT-0710S



DTC-0710



DTC-0710 Back Side



G0710S w/ DTC-0710

