



EasyBoard-733E

Intel® Atom™ N270 3.5" Compact Board



Features

- **Fanless Design**
- Soldered Onboard Intel® Atom™ N270 Processor
- Dual Gigabit Ethernet Ports
- Dual Channels 24-bit LVDS, TV-out, and Analog RGB
- Support Dual Independent Displays
- **Wide Range Operating Temp.: -40 ~ 85°C**

System

| | |
|-----------------------|--|
| CPU | Intel® Atom™ N270 1.6GHz processor with 533MHz FSB |
| Memory | 1 x 200-pin DDR2 SO-DIMM Socket, supporting 533MHz SDRAM up to 2GB |
| Chipset | Intel® 945GSE + ICH7M |
| BIOS | AMI PnP Flash BIOS |
| Watchdog Timer | 1~255 levels reset |

I/O

| | |
|----------------------|--|
| I/O Chip | Winbond W83627HG |
| Serial Port | 2 x COM ports (1 x RS-232, 1 x RS-232/422/485 selectable) |
| Parallel Port | SPP/EPP/ECP mode selectable |
| USB Port | 6 x USB 2.0 ports |
| KB/MS | 6-pin wafer connector for keyboard and mouse (PS/2 standard via Y-cable) |
| Digital I/O | 8-bit programmable Digital I/O |
| Expansion Bus | 1 x Mini-PCI socket LPC (Low Pin Count) connector |

Storage

1 x Ultra ATA, supporting 2 IDE devices

2 x Serial ATA ports with 150MB/s HDD transfer rate

Ethernet Chipset

2 x Realtek RTL8111 PCIe Gigabit Ethernet controllers

Audio Interface

Realtek ALC655 6 Channel AC97 Audio CODEC, Mic-in/ Line-in/Line-out

Display

Graphics Chipset Integrated Intel® Graphics Media Accelerator 950

Analog RGB: up to 2048 x 1536 @60Hz

LCD: Dual channels 24-bit LVDS, up to 1600 x 1200

Graphics Interface

TV-out: NTSC/PAL up to 1024 x 768

Support Dual Independent Displays

Mechanical & Environmental

Power Requirement +12V input

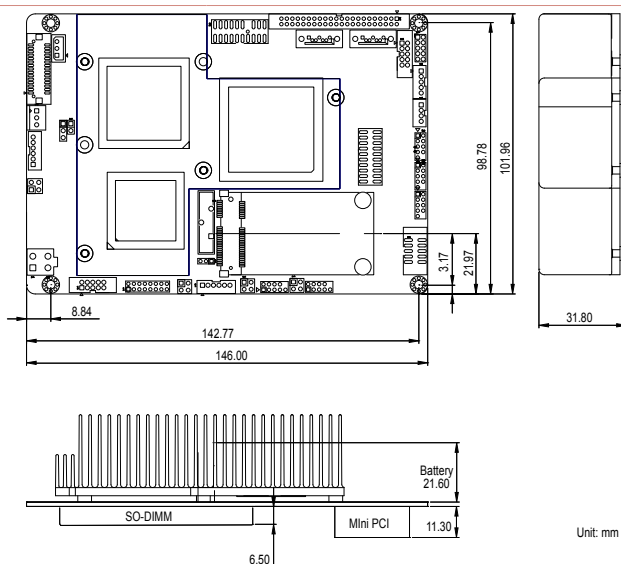
Power Consumption 1.12A@+12V (Typical)

Operating Temp. -40 ~ 85°C (-40 ~ 185°F)

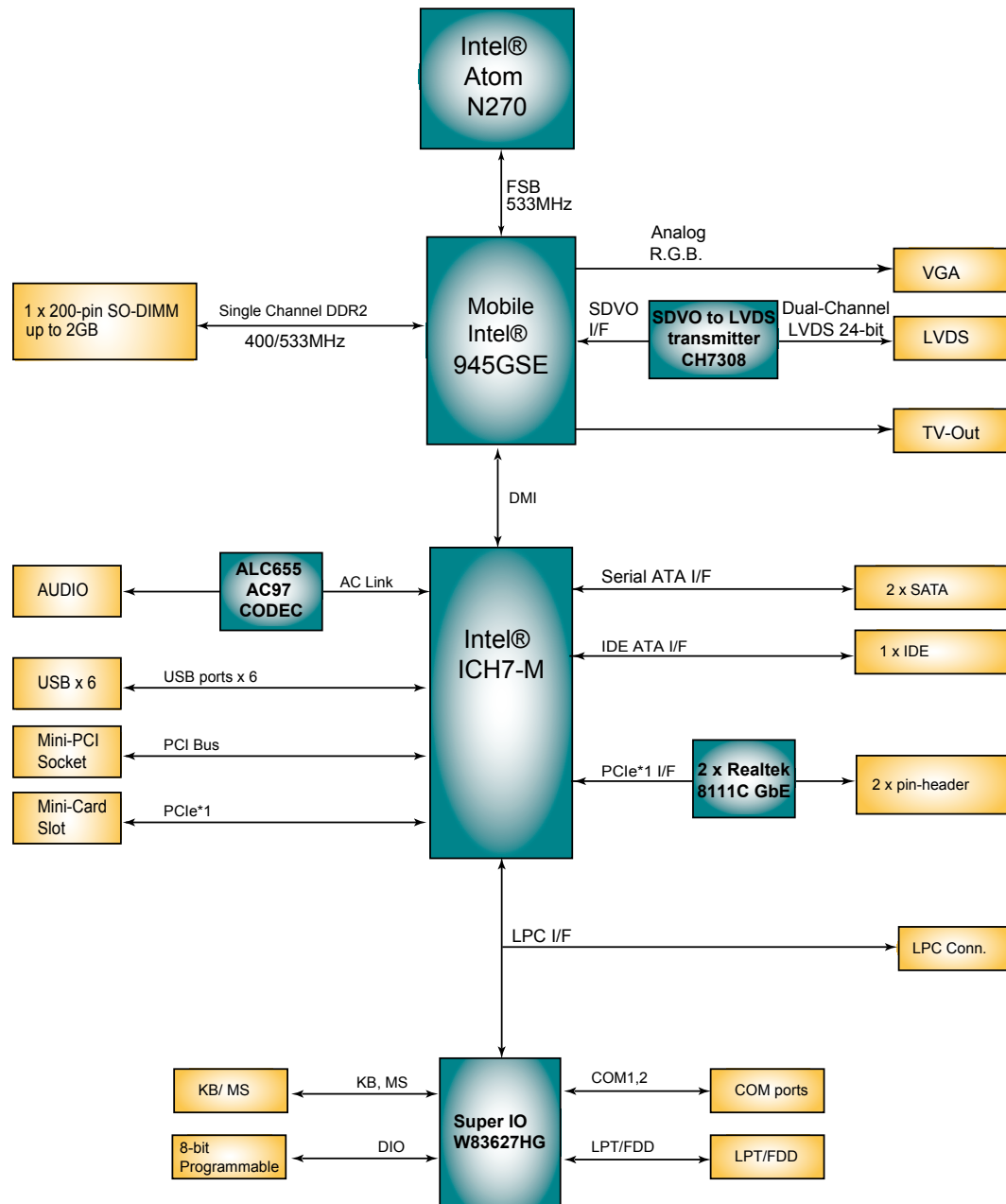
Operating Humidity 0 ~ 90% (non-condensing)

Dimension (L x W) 146 x 102 mm (5.7" x 4.0")

Dimensions



Block Diagram



Ordering Information

EasyBoard-733E

Intel® Atom™ N270 1.6GHz 3.5" compact board

FCDB-1293

4 x COM ports, 8-bit Digital I/O daughterboard

See Appendix

CBK-11-2709-00

Cable kit

- 1 x Audio cable
- 2 x COM port cables
- 1 x IDE cable
- 1 x KB & MS cable
- 2 x LAN cables
- 1 x LPT to FDD cable
- 1 x Parallel Port cable
- 2 x SATA cables
- 1 x TV-out cable
- 3 x USB cables
- 1 x VGA cable