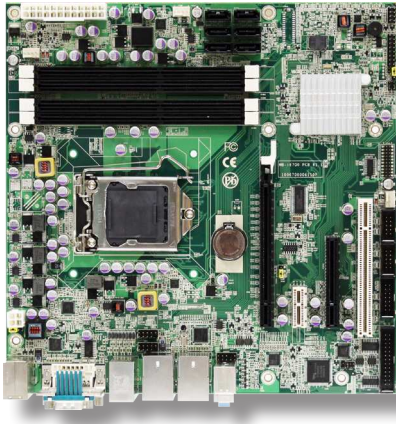


MB-i67Q0

2nd/3rd Generation Intel® Core™ Processor Embedded Micro-ATX Motherboard



Features

- 2nd/3rd Generation Intel® Core™ Processor supported
- Dual Independent Displays supported
- RS-485 Auto-flow Control supported
- Intel® AMT7.0 supported
- RAID 0, 1, 5, 10 supported
- Dual Gigabit Ethernet Ports

System

CPU	2 nd /3 rd Generation Intel® Core™ i7/i5/i3/Pentium® or Celeron® Processor in LGA1155 socket supported
Memory	4 x 240-pin DDR3 DIMM sockets, supporting 1066/1333MHz SDRAM up to 32GB
Chipset	Intel® PCH Q67
BIOS	AMI BIOS
Watchdog Timer	1~255 levels reset

I/O

I/O Chip	Fintek F71869ED + Fintek F81216AD
Serial Port	3 x RS-232 ports
Parallel Port	1 x RS-232/422/485 selectable port w/ auto-flow control
Parallel Port	1 x LPT port, supporting SPP/EPP/ECP mode (selectable)
USB Port	14 x USB 2.0 ports
KB/MS	1 x 6-pin wafer connector for PS/2 keyboard and mouse
Digital I/O	16-bit programmable digital input/output

Expansion Bus	1 x PCIe x16 slot
	1 x PCIe x1 slot
	1 x PCIe x4 interface in x8 slot
Storage	1 x PCI slot
	2 x Serial ATA ports with 600MB/s HDD transfer rate

Storage	4 x Serial ATA ports with 300MB/s HDD transfer rate
	1 x Intel® 82579LM GbE PHY w/ iAMT

Ethernet Chipset	1 x Intel® 82583V GbE controller
Audio	Realtek ALC886 HD Audio Codec, Mic-in/Line-in/Line-out

Display

Graphic Chipset	Integrated Intel® HD Graphics
-----------------	-------------------------------

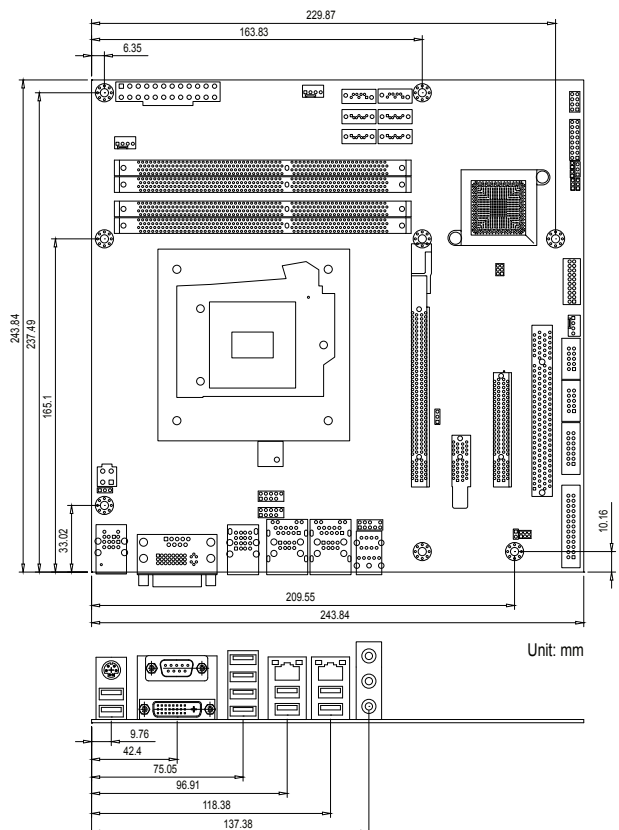
Recommended CPU List:	2 nd Generation Intel® Core™
3 rd Generation Intel® Core™	i7-2600 quad-core 3.4GHz
i7-3770 quad-core 3.4GHz	i5-2400 quad-core 3.1GHz
i5-3550S quad-core 3.0GHz	i3-2120 dual-core 3.3GHz
i3-3220 dual-core 3.3GHz	Intel® Pentium® Processor G850 dual-core 2.9GHz
	Intel® Celeron® Processor G540 dual-core 2.5GHz

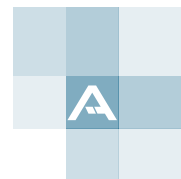
Graphic Interface	1 x DVI-I connector, supporting either Analog RGB or DVI, resolution up to 2048 x 1536 for Analog RGB or 1920 x 1200 for TMDS
-------------------	---

Mechanical & Environmental

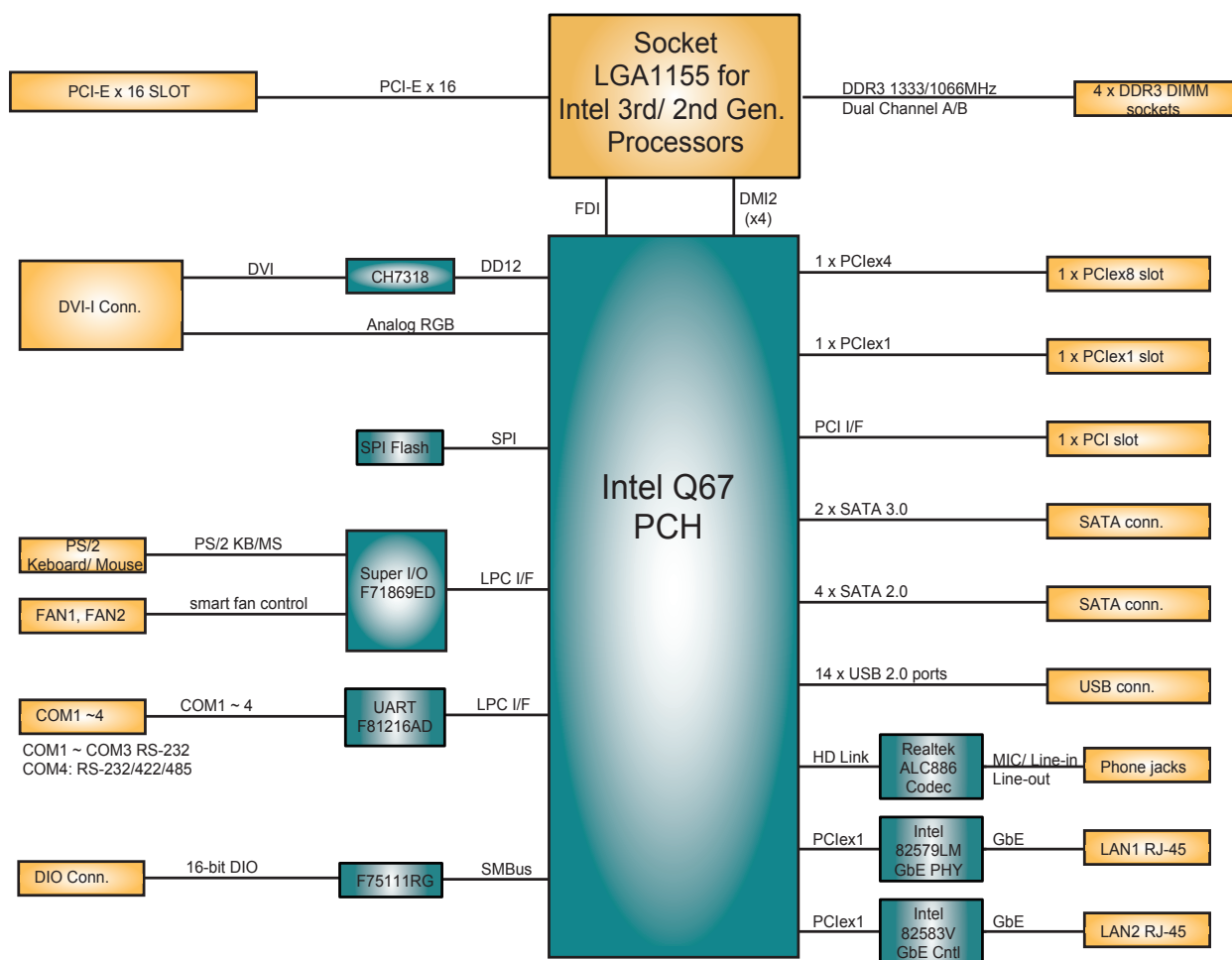
Power Requirement	24-pin + 4-pin ATX connector
Power Consumption	6.5A@+12V, 2.2A@5V, 1.3A@3.3V (Typical) with Intel® Core™ i7-2600 3.4GHz
Operating Temp.	0 ~ 60°C (32 ~ 140°F)
Operating Humidity	10 ~ 95% @ 60°C (non-condensing)
Dimensions (L x W)	244 x 244 mm (9.6" x 9.6")

Dimensions





Block Diagram



Ordering Information

MB-i67Q0 LGA1155 socket Intel® Core™ i7/i5/i3/Pentium®/Celeron® embedded Micro-ATX motherboard

Optional Accessories

CPF-67Q0-C1 CPU Cooling Fan for LGA1155/1156 CPU

CBK-11-67Q0-00 Cable kit
 6 x SATA cables
 1 x LPT cable
 2 x Two-port COM cables
 2 x USB cables