

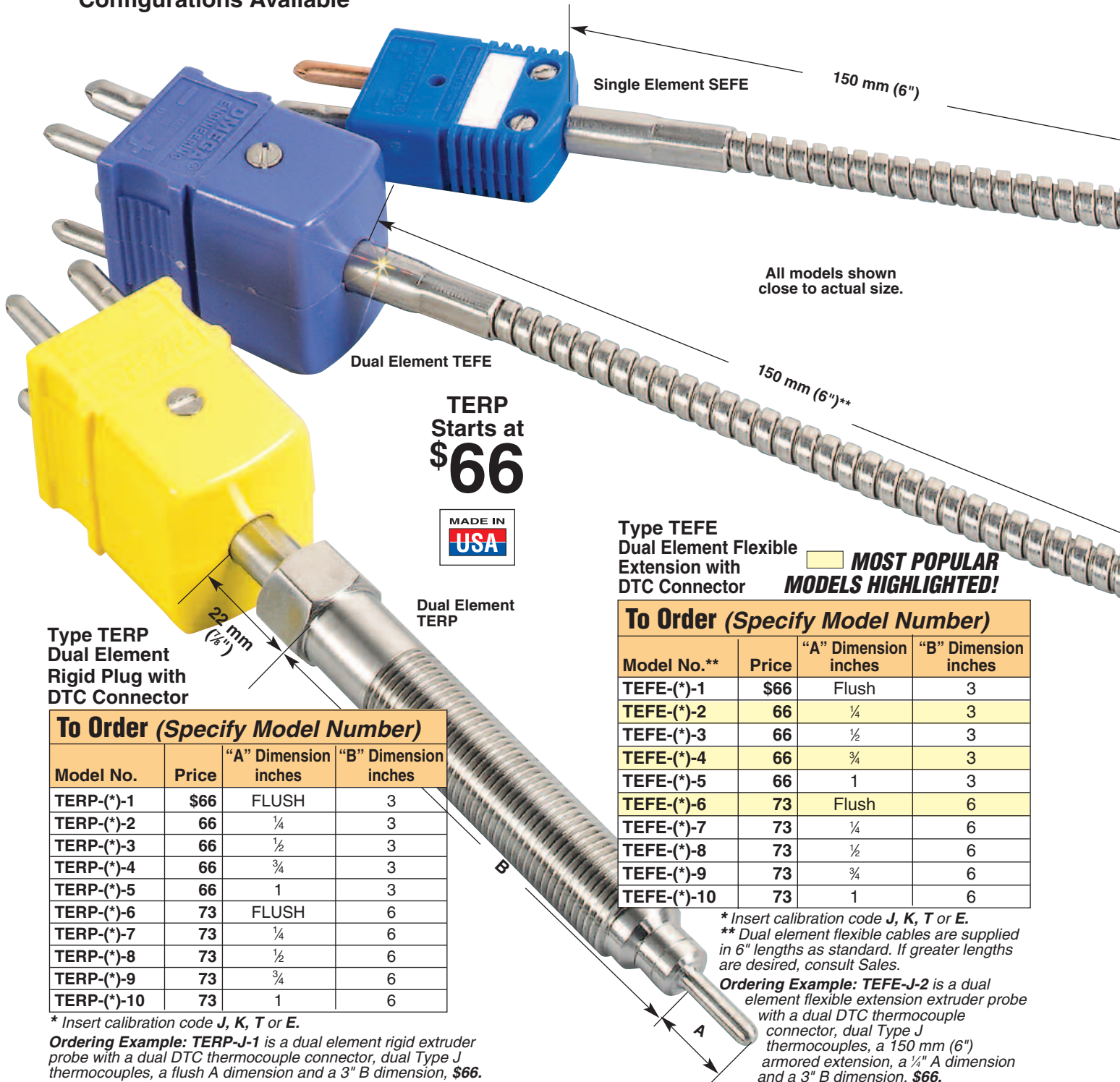
Thermocouple Probes

For Plastic Extruders

- ✓ Service Temperatures to 900°F
- ✓ Single or Dual Element Probes with Quick-Disconnect Termination
- ✓ Rigid Plug or Flexible Extension Models
- ✓ 316 Stainless Steel Tips
- ✓ Many "A" and "B" Dimension Configurations Available

Heavy Duty, Plastic Processing Thermocouples mount directly in extruder heads or die adapters of injection molding machines with sensor tip projected directly into the plastic melt.

Immersion lengths, styles and mounting arrangements are available in a wide range of possible configurations. All thermocouples are constructed of Type 316 Stainless Steel.



All models shown close to actual size.

TERP Starts at \$66



Type TEFE Dual Element Flexible Extension with DTC Connector MOST POPULAR **MODELS HIGHLIGHTED!**

Type TERP Dual Element Rigid Plug with DTC Connector

To Order (Specify Model Number)			
Model No.	Price	"A" Dimension inches	"B" Dimension inches
TERP-(*)-1	\$66	FLUSH	3
TERP-(*)-2	66	1/4	3
TERP-(*)-3	66	1/2	3
TERP-(*)-4	66	3/4	3
TERP-(*)-5	66	1	3
TERP-(*)-6	73	FLUSH	6
TERP-(*)-7	73	1/4	6
TERP-(*)-8	73	1/2	6
TERP-(*)-9	73	3/4	6
TERP-(*)-10	73	1	6

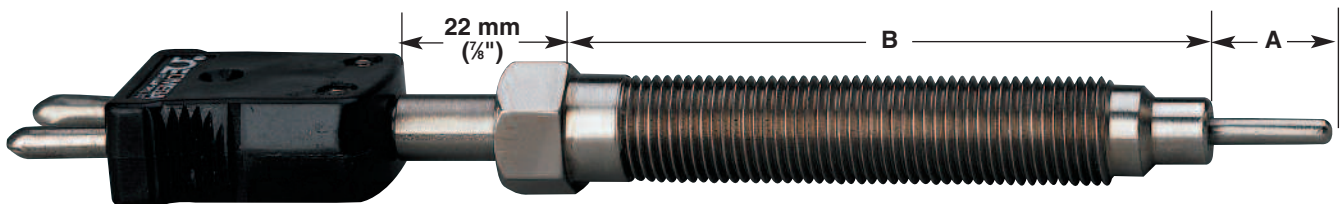
To Order (Specify Model Number)			
Model No.**	Price	"A" Dimension inches	"B" Dimension inches
TEFE-(*)-1	\$66	Flush	3
TEFE-(*)-2	66	1/4	3
TEFE-(*)-3	66	1/2	3
TEFE-(*)-4	66	3/4	3
TEFE-(*)-5	66	1	3
TEFE-(*)-6	73	Flush	6
TEFE-(*)-7	73	1/4	6
TEFE-(*)-8	73	1/2	6
TEFE-(*)-9	73	3/4	6
TEFE-(*)-10	73	1	6

* Insert calibration code J, K, T or E.
 ** Dual element flexible cables are supplied in 6" lengths as standard. If greater lengths are desired, consult Sales.

Ordering Example: TEFE-J-2 is a dual element flexible extension extruder probe with a dual DTC thermocouple connector, dual Type J thermocouples, a 150 mm (6") armored extension, a 1/4" A dimension and a 3" B dimension, \$66.

* Insert calibration code J, K, T or E.

Ordering Example: TERP-J-1 is a dual element rigid extruder probe with a dual DTC thermocouple connector, dual Type J thermocouples, a flush A dimension and a 3" B dimension, \$66.



Single Element SERP

SERP Starts at \$45



Custom Assemblies Available. Consult Sales for Information.

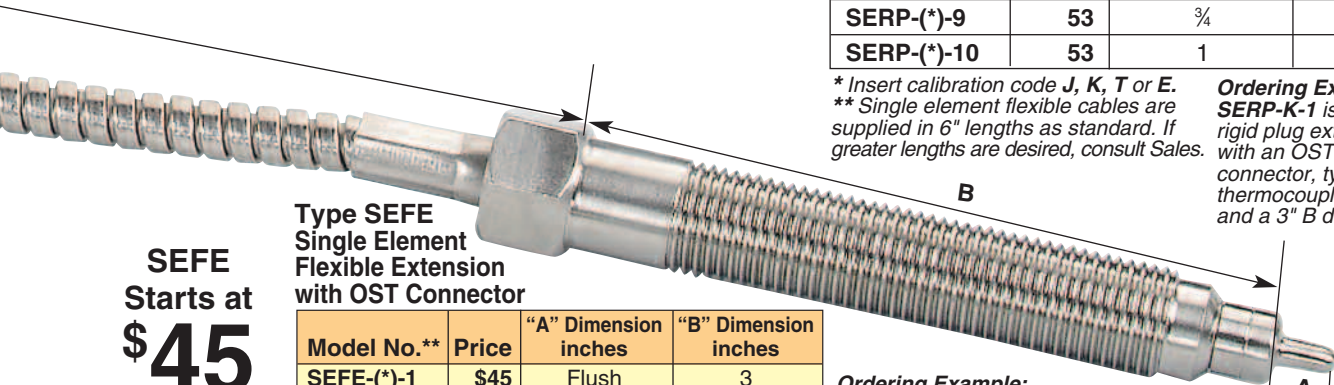
Type SERP Single Element Rigid Plug with OST Connector

MOST POPULAR MODELS HIGHLIGHTED!

Model No.**	Price	"A" Dimension inches	"B" Dimension inches
SERP-(*)-1	\$45	Flush	3
SERP-(*)-2	45	1/4	3
SERP-(*)-3	45	1/2	3
SERP-(*)-4	45	3/4	3
SERP-(*)-5	45	1	3
SERP-(*)-6	53	Flush	6
SERP-(*)-7	53	1/4	6
SERP-(*)-8	53	1/2	6
SERP-(*)-9	53	3/4	6
SERP-(*)-10	53	1	6

* Insert calibration code J, K, T or E.
** Single element flexible cables are supplied in 6" lengths as standard. If greater lengths are desired, consult Sales.

Ordering Example: SERP-K-1 is a single element rigid plug extruder probe with an OSTW thermocouple connector, type K thermocouple, a flush tip and a 3" B dimension, \$45.



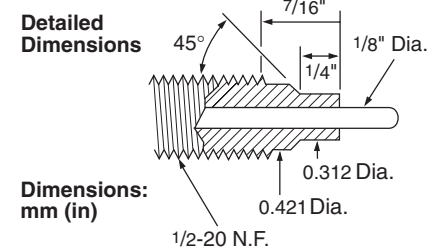
SEFE Starts at \$45



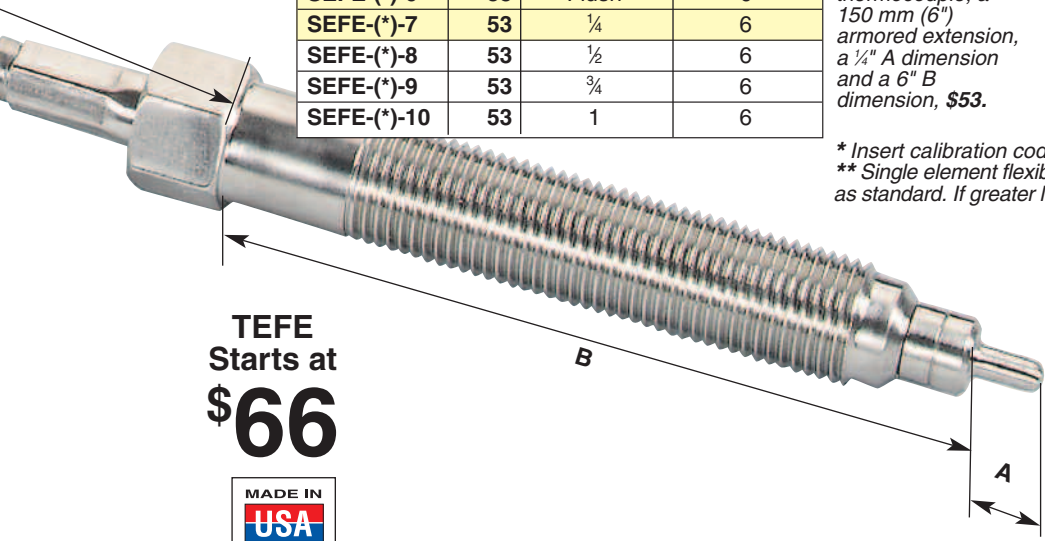
Type SEFE Single Element Flexible Extension with OST Connector

Model No.**	Price	"A" Dimension inches	"B" Dimension inches
SEFE-(*)-1	\$45	Flush	3
SEFE-(*)-2	45	1/4	3
SEFE-(*)-3	45	1/2	3
SEFE-(*)-4	45	3/4	3
SEFE-(*)-5	45	1	3
SEFE-(*)-6	53	Flush	6
SEFE-(*)-7	53	1/4	6
SEFE-(*)-8	53	1/2	6
SEFE-(*)-9	53	3/4	6
SEFE-(*)-10	53	1	6

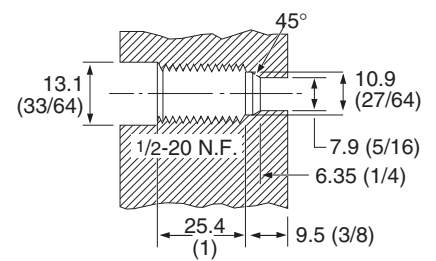
Ordering Example: SEFE-J-7 is a single element flexible extension extruder probe with an OSTW thermocouple connector, Type J thermocouple, a 150 mm (6") armored extension, a 1/4" A dimension and a 6" B dimension, \$53.



* Insert calibration code J, K, T or E.
** Single element flexible cables are supplied in 6" lengths as standard. If greater lengths are desired, consult Sales.



TEFE Starts at \$66



Recommended drilling dimensions for proper mounting in extruder

Dimensions: mm (in)

Example: TERP-K-8 signifies DUAL ELEMENT with RIGID PLUG, plug having an "A" dimension of 13 mm (1/2"), "B" dimension of 150 mm (6"), and Type K, CHROMEGA®-ALOMEGA® thermocouple elements.

Single element, UNGROUNDED probes are available for an additional \$6.00. Dual element UNGROUNDED probes are available for an additional \$9.00. (Please note that standard probes have GROUNDED junctions.)

Discount Schedule	
1-10 UnitsNet
11-24 Units5%
25-100 Units10%
101 Units and upConsult sales