

ECONOMICAL HIGH-PERFORMANCE FLOW SIGNAL CONDITIONERS

FLSC-45



Low-Cost Model with Plastic Enclosure!

- ✓ $\pm 0.15\%$ FS Accuracy
- ✓ Low-Cost Economical Design
- ✓ Plastic Enclosure for Wall Mounting
- ✓ 4 to 20 mA or 1 to 5 Vdc Field-Selectable Output
- ✓ Operates on 15 to 32 Vdc

FLSC-45 shown smaller than actual size.



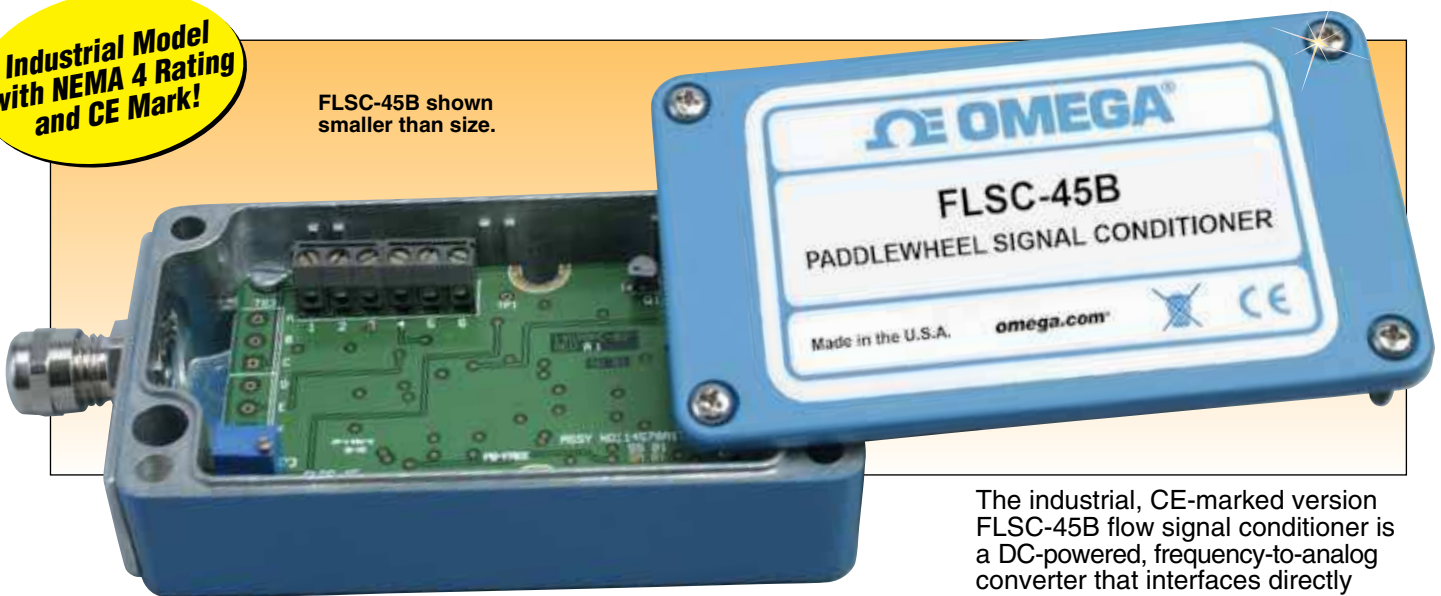
The FLSC-45 flow signal conditioner is a DC-powered, frequency-to-analog converter that interfaces directly to many of OMEGA's paddlewheel sensors to provide a linear scaled 4 to 20 mA or 1 to 5 Vdc field-

selectable output across a dedicated flow range. The high-performance electronics will accept a low-level magnetic pickup signal from a paddlewheel or turbine meter without amplification.

The industry-standard output interfaces directly with OMEGA's iSeries meters and controllers. The FLSC-45 features a plastic enclosure with a built-in mounting plate for wall mounting.

Industrial Model with NEMA 4 Rating and CE Mark!

FLSC-45B shown smaller than size.

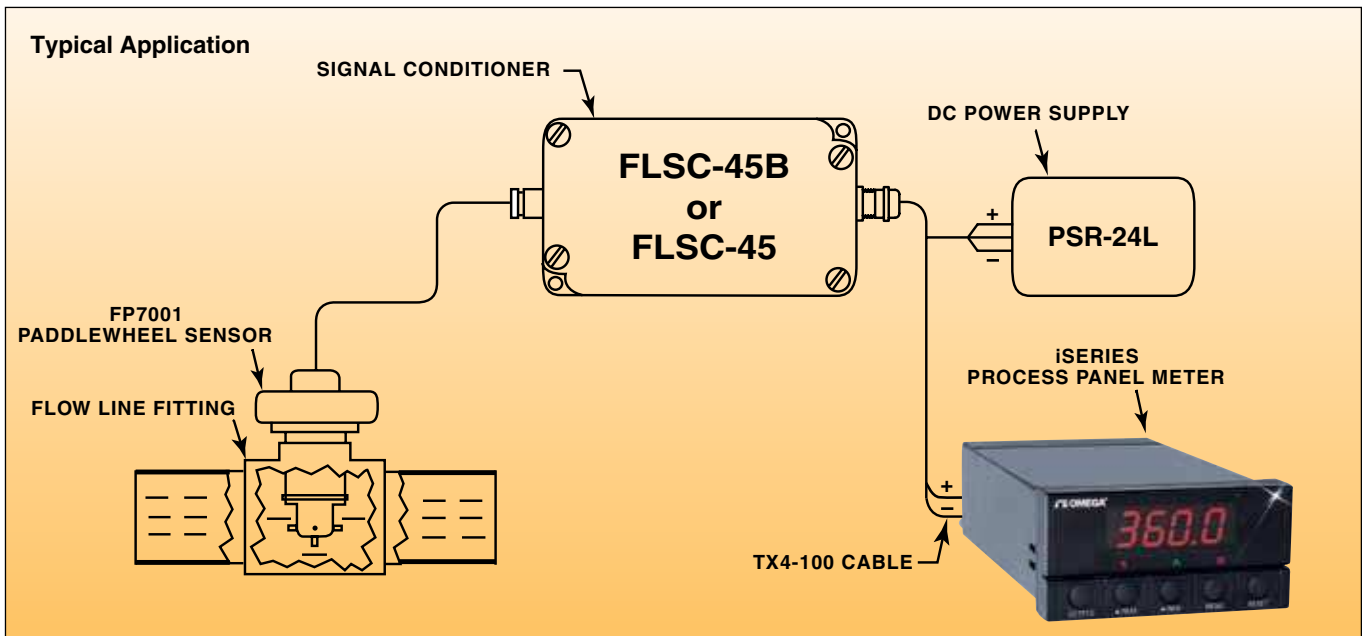


FLSC-45B



- ✓ $\pm 0.15\%$ FS Accuracy
- ✓ Rugged, Die-Cast NEMA 4 (IP65) Aluminum Enclosure for Industrial Use
- ✓ 4 to 20 mA or 1 to 5 Vdc Field-Selectable Output
- ✓ Operates on 15 to 24 Vdc
- ✓ CE Marking

The industrial, CE-marked version FLSC-45B flow signal conditioner is a DC-powered, frequency-to-analog converter that interfaces directly to many of OMEGA's paddlewheel sensors to provide a linear scaled 4 to 20 mA or 1 to 5 Vdc field-selectable output across a dedicated flow range. The high-performance electronics will accept a low-level magnetic pickup signal from a paddlewheel or turbine meter without amplification. The industry-standard output interfaces directly with OMEGA's iSeries meters and controllers. The FLSC-45B features a NEMA 4 (IP65) die-cast aluminum enclosure with built-in mounting holes.



SPECIFICATIONS (FLSC-45)

Accuracy: $\pm 0.15\%$ FS
Repeatability: $\pm 0.025\%$
Input: Sine wave 20 mV p-p min
Frequency Input Range to Achieve FS Output: 65 to 7600 Hz
Power: 10 to 32 Vdc for 4 to 20 mA output or 15 to 32 Vdc for 1 to 5 Vdc output
Output: 3-wire (4 to 20 mA or 1 to 5 Vdc)
Response Time: 2 s fixed
Maximum Loop Resistance: (V supply - 10 V)/0.02 A = Ω
Operating Temperature: -20 to 60°C (-4 to 140°F)
Storage Temperature: -25 to 70°C (-12 to 158°F)
Enclosure: Polypropylene
Approvals: None
Dimensions: 61 H x 104 W x 25 mm D (2.4 x 4.1 x 1")
Weight: 96 g (3.3 oz)



SPECIFICATIONS (FLSC-45B)

Accuracy: $\pm 0.15\%$ FS
Repeatability: $\pm 0.025\%$
Input: Sine wave 20 mV p-p min
Frequency Input Range to Achieve FS Output: 65 to 7600 Hz
Power: 10 to 24 Vdc for 4 to 20 mA output or 15 to 24 Vdc for 1 to 5 Vdc output
Output: 3-wire (4 to 20 mA or 1 to 5 Vdc)
Response Time: 2 s fixed
Maximum Loop Resistance: (V supply - 10 V)/0.02 A = Ω
Operating Temperature: -20 to 60°C (-4 to 140°F)
Storage Temperature: -25 to 70°C (-12 to 158°F)
Enclosure: Die-cast, painted aluminum, NEMA 4 (IP65)
Approvals: CE marked
Dimensions: 65 H x 116 W x 32 mm D (2.6 x 4.6 x 1.3")
Weight: 300 g (0.3 oz)

To Order

Model No.	Description
FLSC-45	Signal conditioner
FLSC-45B	Signal conditioner, NEMA 4 enclosure

Recommended Paddlewheel Sensors

Model No.	Description
FP7001A	Polypropylene body, 316 SS shaft for 3/4 to 3" pipes
FP-5300	Polypropylene body, titanium shaft for 1/2 to 4" pipes
FP-5301	Polypropylene body, titanium shaft for 4 to 8" pipes

Complimentary Meters/Controllers

Model No.	Description
DPI8	Temperature/process monitor 1/8 DIN
CNI8	Temperature/process controller 1/8 DIN

Accessories

Model No.	Description
TX4-100	4-conductor shielded cable, 30 m (100')
PSR-24L	24 Vdc, 400 mA power supply

Comes complete with operator's manual.

Ordering Example: FLSC-45B, signal conditioner (NEMA 4), PSR-24L, 24 Vdc, 400 mA power supply.