

Flyback Transformers for DC/DC converters - FLYT 22 Series



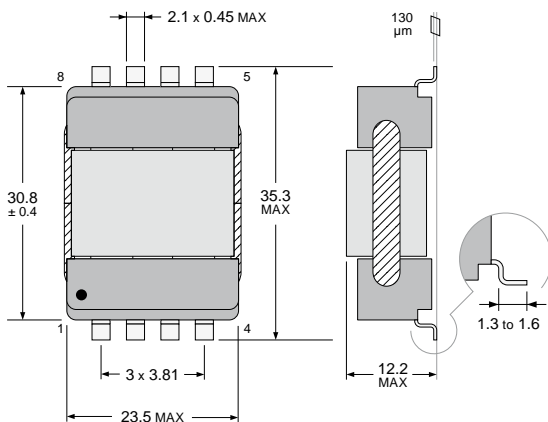
- Based on Microspire's « SESI22 Planar Technology »
- Low-profile SMD package (2x4 pins)
- Applied standards: MIL-STD-202, ECSS-Q-70-02, DO-160D
- Up to 30W at 100kHz in standard heating conditions
- Dielectric strength up to 1500V (50Hz-1min)
- Materials meet UL94-V0 rating
- Thermal index according to IEC85: H (180°C)
- Operating/storage temperature range: -55°C to +125°C
- Approx weight: 26 grams

Electrical Data

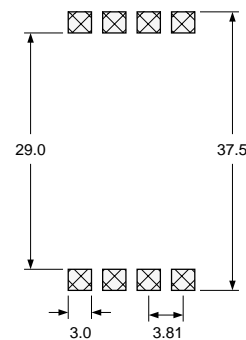
ID Code	DC Input Voltage Range (Vdc)	Output Power (W)	Designed Outputs	Working Frequency	Primary Inductance	Insulation > 100MΩ
FLYT22 19W 01	12 - 20.5V (2° - 1)	18.5	5V / 450mA (8° - 7) 22V / 600mA (6° - 5)	90 - 130kHz	13μH	500Vdc
FLYT22 20W 01	12 - 20.5V (3° - 4)	19.5	5V / 340mA (6° - 5) 12V / 1.2mA (8° - 7)	90 - 130kHz	13μH	500Vdc

Each Flyback Transformer shall be the result of a common definition after technical agreement between both engineering teams

Typical Dimensions (mm, top view)

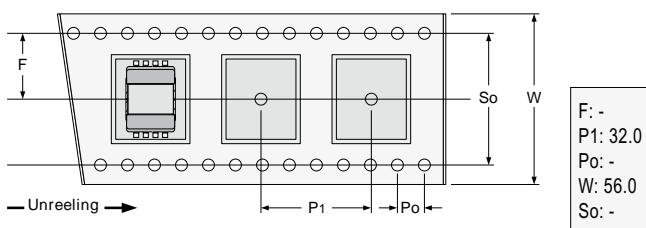


PCB Layout (suggested)



Packaging

Tape and Reel:
100 units per reel of diameter 330 mm



Marking

