

Line Common Mode Choke - LCMC



- Improved EMI performance for FCC class B applications
- Maximum common mode attenuation at 1 MHz
- Well suited for many telecom applications
- Surface mount package
- Materials meet UL94-V0 rating
- Temperature range: 0 °C to +70 °C
- Weight < 1 gram

Electrical Data

Part Number	OCL (mH +30%/-40%)	Common Mode Attenuation			I max eff (mA)	Isolation (Vrms min)	DCR (Ω max)
		(db typ. @ 100kHz)	(db typ. @ 1MHz)	(db typ. @ 10MHz)			
LCMC 20 4M7 1S	2 x 4.7	29	40	24	35	500	1.15

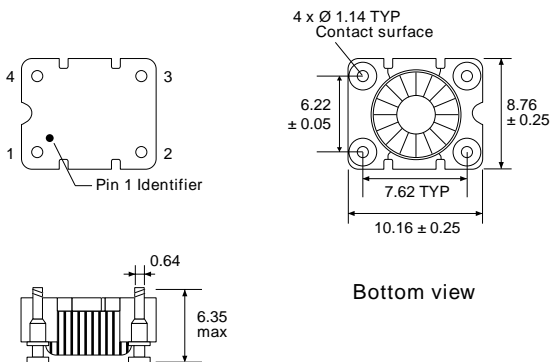
Note : values measured at 10 kHz, 100 mV_{RMS} at 25 °C. Dielectric strength : 500V_{RMS} - 50Hz - 1min

To Order

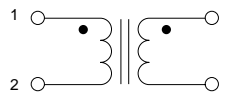
LCMC 20 4M7 1S

LCMC	20	4M7	1	S
Line Common Mode Chokes	Size	Value code 4M7 = 4,7 mH	Version	SMD

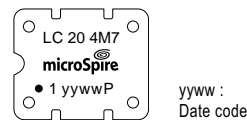
Typical Dimensions (mm)



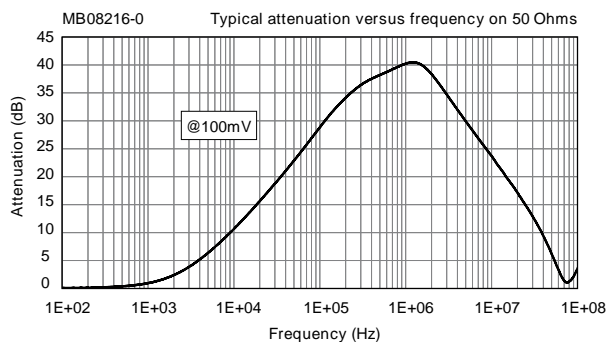
Connections



Marking



Frequency Response



Measurement Circuit

Attenuation measured with
HP4194A at 100 mVrms
(Z = 50 Ohms)

