

## LED Beacon Light 230VAC

## Twirl-Lux

<b>Application:</b>	Industry	Machine light, Security system, Alarm system
	Navigation	Port marking, Boat lighting, Storm warning
	Road works	SOS-telephone, Tunnel Exit Signs
	Railways	Tunnel Exit, Train warning lights

<b>Benefits:</b>	5 different colours available (blue, yellow, white, red, green)
	18 powerful 2.5Watt LED's
	16 different flashing methods
	No moving parts inside , means no abrasion



## Twirl-Lux

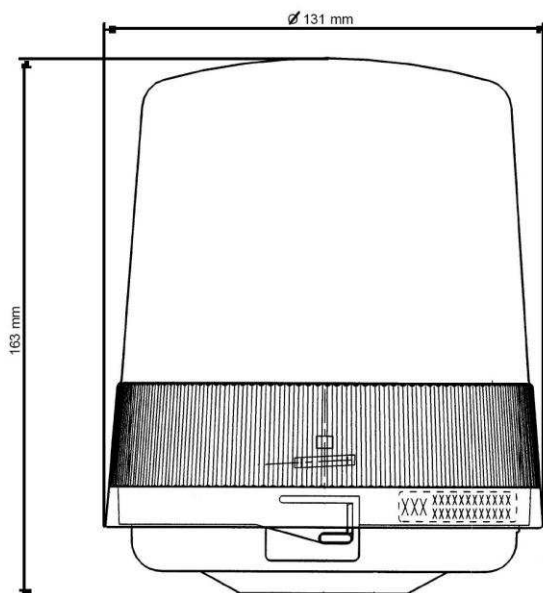
### Beacon with Flat Base ISO

- Operating temperature -40°C ~+60°C
- Protection IP56
- 230VAC

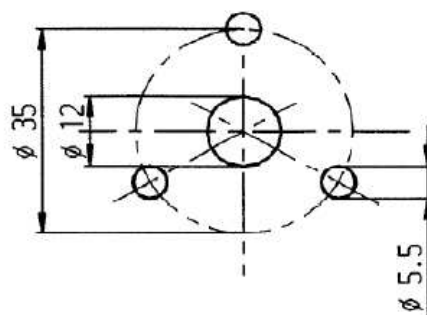


Part-Number	Colour	Voltage AC
200 08 005	blue	230V
200 08 015	yellow	230V
200 08 025	red	230V
200 08 035	green	230V
200 08 045	white	230V

**Drawing**



**Mounting hole**



- All dimensions are in millimetres.
- Tolerance is  $\pm 0.25\text{mm}$  unless otherwise specified.
- Specifications are subject to change without notice

## Twirl-Lux

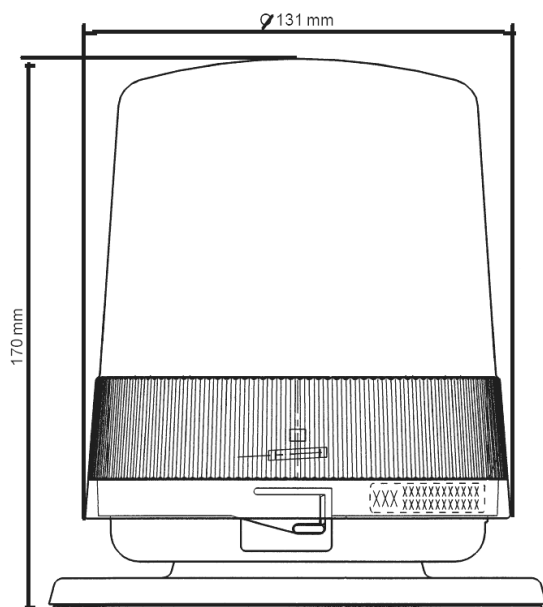
### Beacon with Flat Base DIN

- Operating temperature -40°C ~+60°C
- Protection IP56
- 230VAC

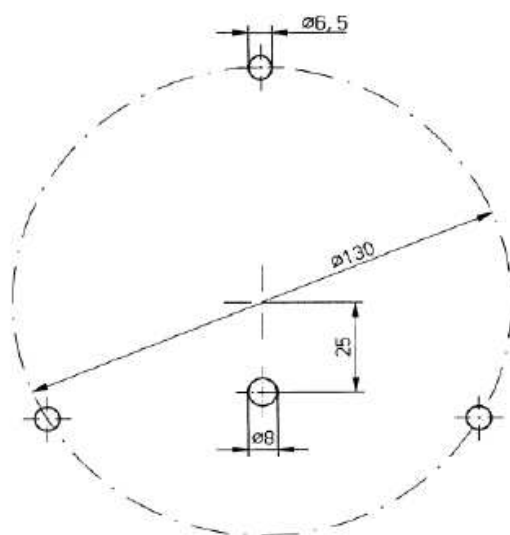


Part-Number	Colour	Voltage AC
200 08 006	blue	230V
200 08 016	yellow	230V
200 08 026	red	230V
200 08 036	green	230V
200 08 046	white	230V

**Drawing**



**Mounting hole**



- All dimensions are in millimetres.
- Tolerance is  $\pm 0.25\text{mm}$  unless otherwise specified.
- Specifications are subject to change without notice

## Twirl-Lux

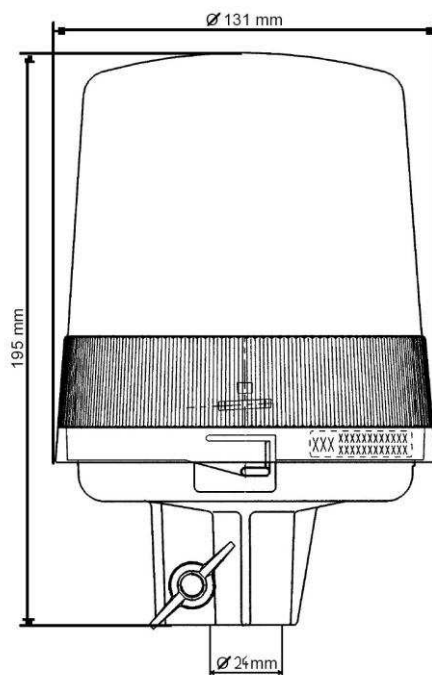
### Beacon with insert base

- Operating temperature -40°C ~+60°C
- Protection IP56
- 230VAC



Part-Number	Colour	Voltage AC
200 08 007	blue	230V
200 08 017	yellow	230V
200 08 027	red	230V
200 08 037	green	230V
200 08 047	white	230V

### Drawing



- All dimensions are in millimetres.
- Tolerance is  $\pm 0.25$ mm unless otherwise specified.
- Specifications are subject to change without notice