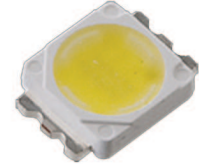


PowerLED

1W



- high luminosity
- long lifetime up to 50'000 hours
- high quality for professional application
- RoHS compliant



Part Number	Colour	Colour Temp. (°K)	Intensity (lm)			Angle (deg)	Voltage (V)		Lens Colour
			min	typ	max		min	max	
PL1-NL11-00	● warm white	3000°	70	95	100	120°	3.5	4.0	yellow diffused
PL1-NL11-01	● warm white	2700°	70	95	100	120°	3.5	4.0	yellow diffused
PL1-WL11-00	○ white	4500-5500°	100	110	120	120°	3.5	4.0	yellow diffused

Electro-Optical-Characteristics Ta=25°C, Forward Current: IF Typical = 350mA,

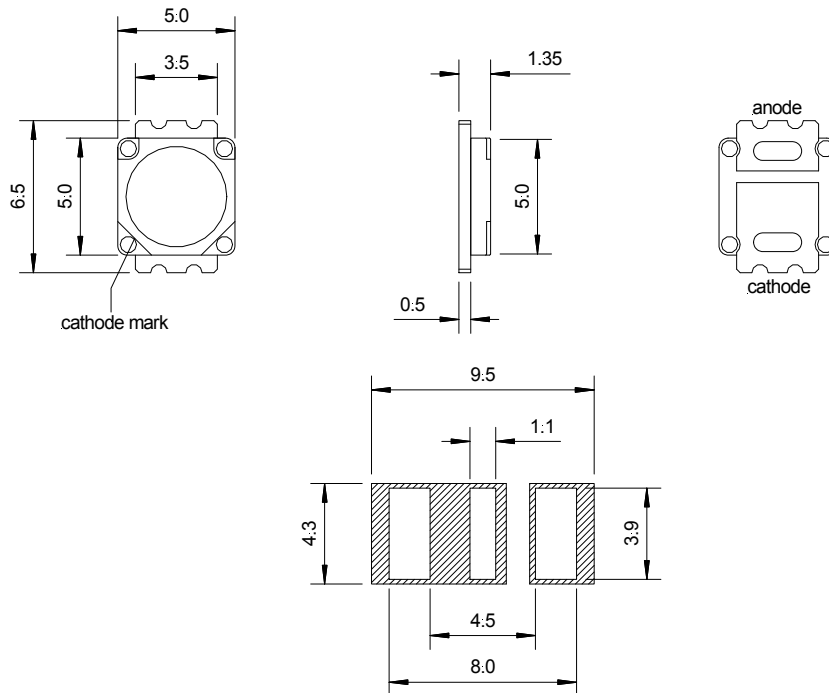
1/10 Duty Cycle, 10ms Pulse Width: up to 600mA, depending on colour

Storage Temp. -40 ~+100 (°C) Operating Temp. -40 ~+100 (°C)

Packaging: 1400pcs./reel

Detailed data sheets are available on request

Package Dimensions



Do not drive at rated current more than 5 sec. without proper heat sink.

1. All specifications according to information from our manufacturers, without additional guarantee on our part
2. All dimensions are in millimetres
3. Tolerance is ±0.25mm unless otherwise specified
4. Specifications are subject to change without notice