



953 Crosslight

LED indicator with 4 light bars

red / green

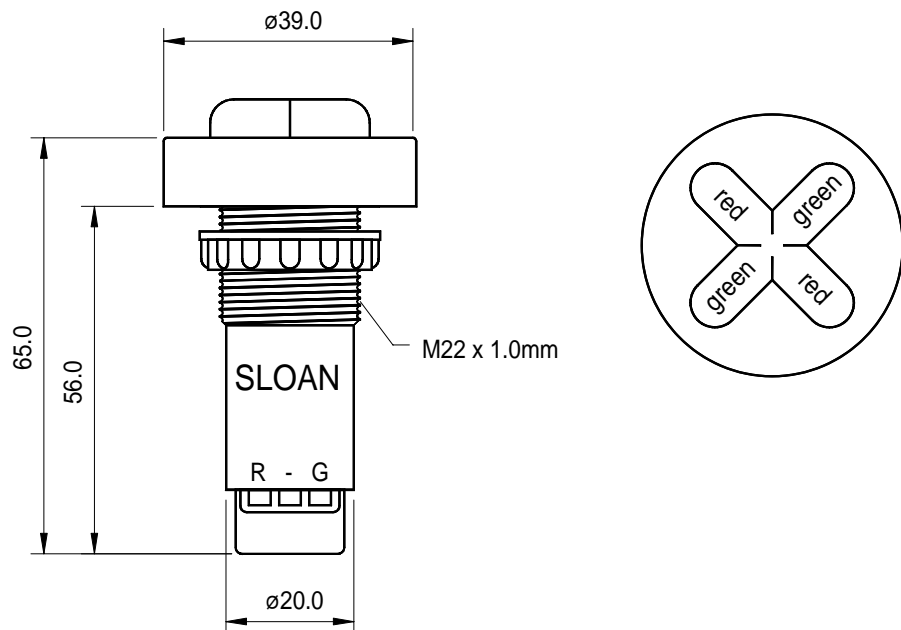


All specification according to information from our manufacturers, without additional guarantee on our part. Further types on request.

Part-Number	Lens	Colour	Protection	Rated Voltage	Forward Current	Operating Temperature	Panel Thickness	Dimensions of Wires
	PC (LEXAN)			V	mA	°C	mm	mm ²
953RGL0X	clear	red / green	IP65	110 DC	10	-25 ~ + 60	0.5 – 12.0	0.5 – 1.5

Mounting Hole: Ø 22mm
Lifetime: 100.000 hrs
Material: Thermoplast ABS meets UL94V-0/1,6

Dimensions



1. All dimensions are in millimetres.
 2. Tolerance is ±0.25mm unless otherwise specified.
 3. Specifications are subject to change without notice.