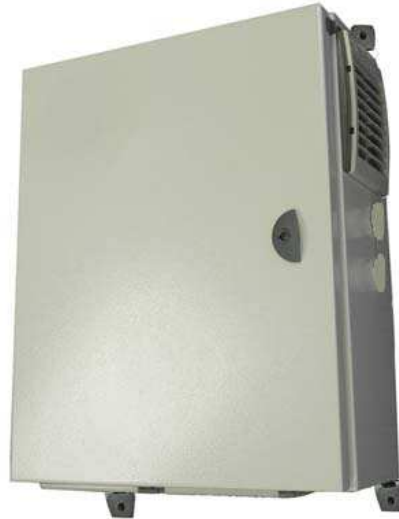


Special Features

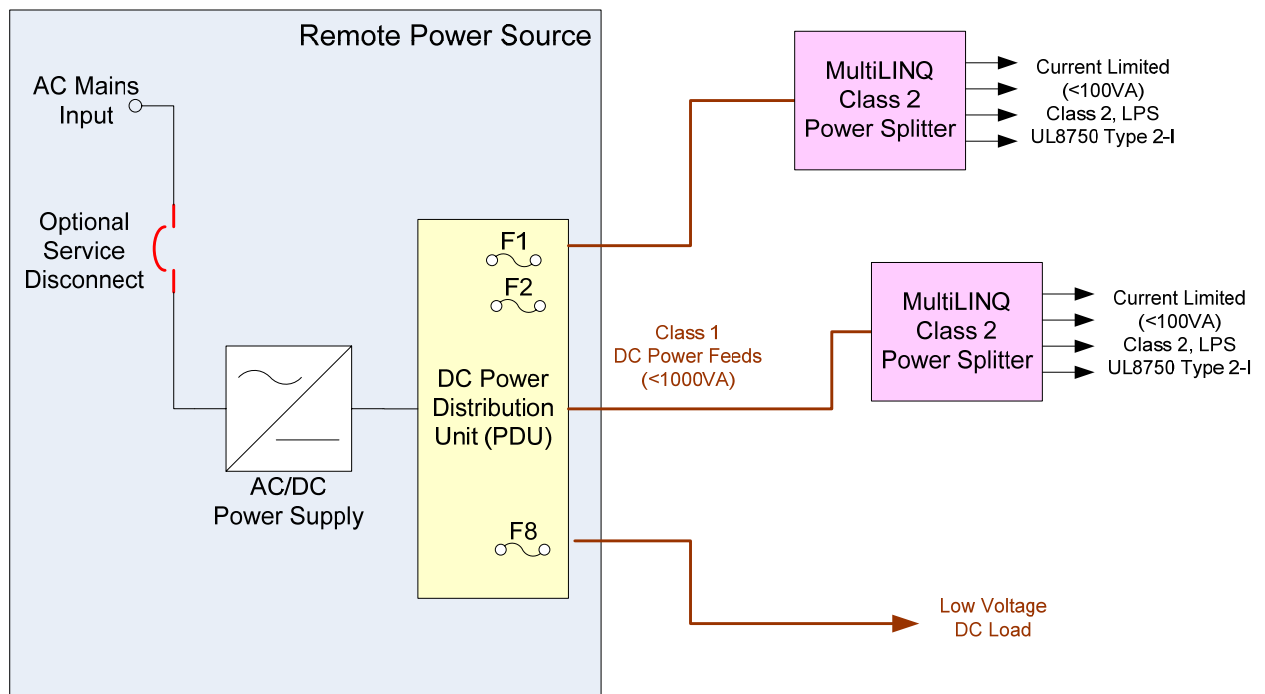
The Remote Power Source (RPS) is a complete UL approved DC power source for powering LED lighting in both indoor and outdoor applications. It reduces the complexities of multiple power supplies and Safety code considerations.

- Integral power supply module (up to 1kW)
- Eight (8) fuse protected outputs
- IP32 enclosure
- Hinged front panel with Security Lock
- Optional AC Service Disconnect
- Integral Alarms
- Optional battery backup



Applications and Benefits

The RPS is designed for powering low voltage DC equipment in building interiors, exteriors and electric signs. When used in conjunction with ROAL's MultiLINQ DC Power Splitter, it forms the ideal solution for powering LED lights in signage and buildings.



Internal Power Supply Requirements

The RPS can be equipped with one of ROAL's standard power supply modules, or can be fitted with any power supply up to 1kW total output power.¹ The following power supplies are available from ROAL and can be plugged directly into the RPS with minimal mechanical effort:

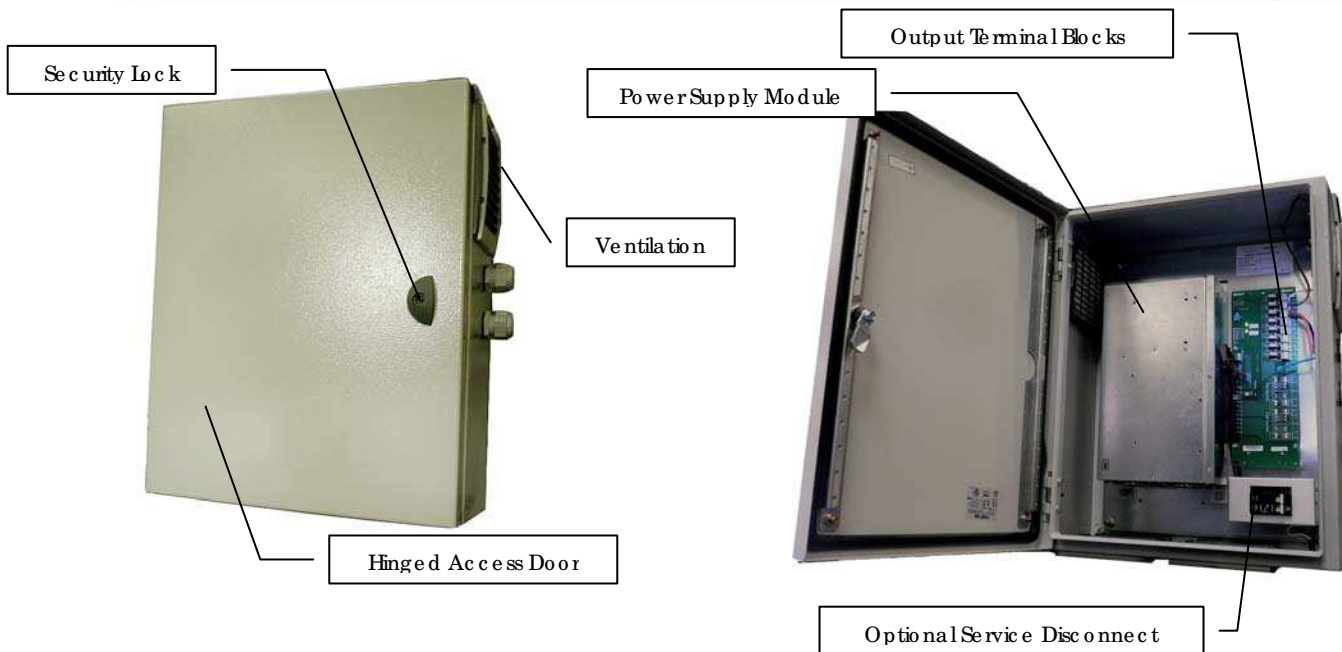
Model # RHPS190: 12V output, 1008W
Model # RHPS190A: 24V output, 1008W

Specifications

The following specifications are the maximum ratings for the enclosure and the PDU:

| | | | |
|------------------|-------------------------|------------------------------------|---|
| Input Voltage: | 100-240 V 47-63Hz | DC Outputs: | 8 |
| Input Current: | 13A Maximum | Fuse Rating per output: | 25A max |
| Input Wiring: | 3 wire, L1, L2/N, Earth | Output Voltage: | + 12 or 24 VDC |
| Input Wire Size: | 14 AWG – 10 AWG | Output Wire Gauge: | 18 AWG – 12 AWG |
| | | Clamp Style Output terminal Blocks | |
| | | Sum of total output currents: | 84A max for RHPS281 42A max for RHPS281A |

Enclosure Details



Exterior View

Interior View

Europe and ROW

ROAL Electronics S.p.A
Via Jesina 56/A
60022 – Castelfidardo (AN) - Italy
Tel: +39 071 721461
Fax: +39 071 72146 480

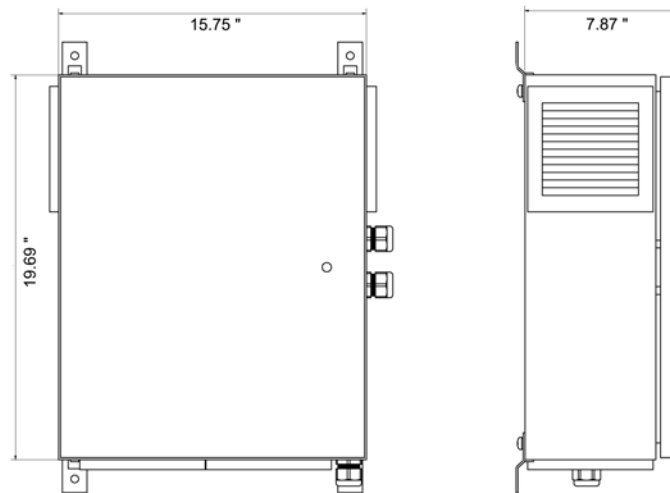
www.roallivingenergy.com

North America

ROAL Electronics USA, Inc.
701 Main St., Suite 405
Stroudsburg, PA 18360
Tel: +1 570 421 5750
Fax: +1 570 421 5687
Rev.08 July10 - Pag. 2/4

Mechanical

| | |
|---------------------|--|
| Enclosure: | Wall or post mount, locked, UL50 |
| Dimensions (HxWxD): | 19.69" x 15.75" x 7.87" |
| Input Connection: | Attachment to internal PCB or optional AC disconnect circuit breaker |
| Output Connections: | Terminal Block, up to 12 AWG, 8 separate load connections |
| Outline Drawing: | |



Environmental

| | | | |
|------------------------|-------------------|----------------------|--------------|
| Operating Temperature: | -30C to +45C | Storage Temperature: | -40C to +85C |
| Cooling: | Convection cooled | Ingress Protection: | IP32 |

Eu and RoW

ROAL Electronics S.p.A
Via Jesina 56/A
60022 – Castelfidardo (AN) - Italy
Tel: +39 071 721461
Fax: +39 071 72146 480

www.roallivingenergy.com

North America

ROAL Electronics USA, Inc.
701 Main St., Suite 405
Stroudsburg, PA 18360
Tel: +1 570 421 5750
Fax: +1 570 421 5687
Rev.08 July10 - Pag. 3/4

Model Table

| Model Number | Output Voltage | Total Output Current |
|--------------|----------------|----------------------|
| RHPS281 | 12V | 84A |
| RHPS281A | 24V | 42A |

Safety Agency Approvals

Safety Approvals: UL Listing UL60950-1, SELV output

Enclosure Ratings: IP32

Notes:

1. *It is possible to use a power supply from a third party however, certain safety approvals including UL60950 will not apply without additional testing and recertification.*

Roal Electronics, S.p.A. may change product specifications and accordingly the information presented in this document. Customers are responsible for their products and applications using Roal Electronics, S.p.A. products. Roal Electronics, S.p.A. assumes no liability from the use of its products outside of specifications. No license is granted to any intellectual property rights by this document. ROAL ELECTRONICS, S.P.A. DISCLAIMS ALL REPRESENTATIONS AND WARRANTIES OF ANY KIND, EXPRESS OR IMPLIED, INCLUDING, BUT NOT LIMITED TO, IMPLIED WARRANTIES OF NONINFRINGEMENT, MERCHANTABILITY AND FITNESS FOR A PARTICULAR PURPOSE.

Eu and RoW

ROAL Electronics S.p.A
Via Jesina 56/A
60022 – Castelfidardo (AN) - Italy
Tel: +39 071 721461
Fax: +39 071 72146 480

www.roallivingenergy.com

North America

ROAL Electronics USA, Inc.
701 Main St., Suite 405
Stroudsburg, PA 18360
Tel: +1 570 421 5750
Fax: +1 570 421 5687
Rev.08 July10 - Pag. 4/4