

WM10I Series

9-12 Watts

Medical Approved Desktop Switching Power Supply

Features:

- * Universal AC Input (90-264 VAC / 47-63 Hz)
- * Small 3.94 x 2.56 x 1.59" Desktop Package
- * Plastic (UL 94V-0 Rated) Enclosure
- * 100,000 hours MTBF (25°C Full Load Operation)
- * Class B Emissions
- * International Safety Approvals & CE Mark
- * 3 Year Warranty



Input Specifications:

Input Range	Universal VAC (90-264 VAC)
Input Frequency	47-63 Hz
Inrush Current	25A @ 115VAC / 50A @ 230VAC max (cold start)
Input Current	400mA @ 90 VAC / 180mA @ 200 VAC Maximum
Input Reflected Ripple	FCC 68 part 15 Class B
Efficiency	65% Typical assuming 120 VAC & 25°C Operation
Input Protection	Dual Fused (2 Amp / 250 V)
Hold-up Time	Half Cycle Minimum @ 120 VAC and 80% load
Leakage Current	<500 μ A maximum @ 264 VAC
Harmonics	EN61000-3-2 Class D

Output Specifications:

Adjustment Range	Fixed at Factory
Minimum Load	See Output Table
Regulation	\pm 5% maximum (line, load & temperature)
Ripple / Noise	\pm 1% pk-pk max (20MHz)
Transient Response	+/- 5% Deviation / < 1msec recovery
Set-Point Accuracy	\pm 2%
Short Circuit Protection	Continuous
Over Load Protection	125-150%, automatic recovery

Emissions Standards

FCC Part 15J, Part 2	Within Class B Limits
EN55011 / CISPR11	Within Class B Limits

Electromagnetic Compatibility:

Electrostatic Discharge	EN61000-4-2, \pm 4KV Contact / \pm 8KV Air Discharge
Radiated Susceptibility	EN61000-4-3, 26-1000MHz, 10V/M, 80% AM
EFT / Bursts	EN61000-4-4, \pm 2KV
Surges	EN61000-4-5, \pm 2KV Line-Earth, \pm 1KV Line-Line
Conducted Immunity	EN61000-4-6, 0.15 - 800MHz, 10V, 80% AM
Voltage Dips	EN61000-4-11, 95% Dip & 10ms, 30% Dip & 500ms
Voltage Interruptions	EN61000-4-11, 95% Reduction, 5s
Radiated Emissions	FCC 68 part 15 Class B
Conducted Emissions	FCC 68 part 15 Class B
Harmonic Current	EN61000-3-2 Class D
Fluctuations & Flicker	EN61000-3-3

Environmental Specifications:

Operating Temp	0-40°C Full Load (De-Rate 5% per °C rise to +50°C)
Storage Temp	-20 ~ +85°C
Cooling	Convection cooled operation
Temp Co-Efficient	0.4% per degrees celsius
Humidity	5 to 95% RH Non-Condensing
Vibration	3 Axes 1 Oct/min, 5 min at 4 Res. 0.75G Pk, 5-500Hz
Shock	20G Peak Acceleration
Reliability	>100k hours MTBF (Full Load and 25°C Operation)

International Safety Approvals

Qualified to Meet	UL60601 CSA 22.2 No. 601 TUV EN60601 CE Mark (LVD)
-------------------	-------------------------------------------------------------

PowDec
Technologies, Inc.

PowDec Technologies (Taiwan) Inc.
No. 9, Alley 9, Lane 392, Fu Teh
1st Road Hsi Chih, Taipei Hsien, Taiwan
Tel: (02)2694-2760
Fax: (02)2694-2753
E-mail: powdec@ms3.hinet.net
http://www.powdec.com.tw

PowDec Technologies (USA) Inc.
7013 Realm Drive, Suite E
San Jose, CA 95119 U.S.A.
Tel: (800) 299-3209
Fax: (408) 362-9355
E-mail: tedkang@powdec.com
http://www.powdec.com

Output Table:

Model	Max Power	V1	Io Min	Io Max
WM10-5V	10 Watts	5VDC	200mA	2000mA
WM10-6V	10 Watts	6VDC	200mA	1670mA
WM10-9V	9 Watts	9VDC	200mA	1100mA
WM10-12V	12 Watts	12VDC	100mA	1000mA
WM10-15V	12 Watts	15VDC	100mA	800mA
WM10- 24V	12 Watts	24VDC	100mA	500mA

Mechanical Specifications:

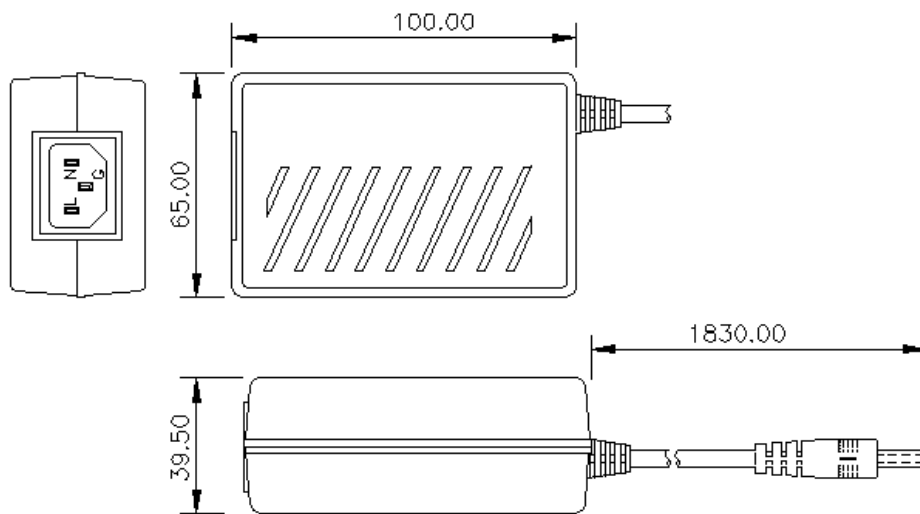
Construction: External Desktop

Weight: 0.474 lb / 0.215 kg

The standard output cable length is 6 feet and terminated with a 5.5 x 2.1 x 12mm barrel jack connector (center positive).

Additional output plugs available upon request, minimum quantities may apply.

AC Input Cord is not supplied.



UNIT: MM