

AI60 Series

60 Watt

Single Output Desktop Power Supply

Features:

- * Universal AC Input (90-264VAC / 47-63 Hz)
- * Green Power for Energy Star / CEC Level IV Compliance
- * No load power Consumption less than 0.5 Watts
- * Small 4.33 x 2.56 x 1.10" Desktop Package
- * Plastic (UL 94V-0 Rated) Enclosure
- * 100,000 hours MTBF (25°C Full Load Operation)
- * Class B Emissions
- * UL/cUL 60950-1 Safety Approval
- * 3 Year Warranty



Input Specifications:

Input Range	Universal VAC (90-264 VAC) & 120-370 VDC
Input Frequency	47-63 Hz or DC
Inrush Current	less than 80A @ 230VAC (cold start)
Input Current	1700mA@ 90 VAC / 800mA@ 200 VAC Maximum
Input Reflected Ripple	FCC 68 part 15 Class B
Efficiency	85% Typical @120VAC (depending on output model)
Input Protection	Single Fused (4 Amp / 250 V)
Hold-up Time	One Cycle Minimum @ 120 VAC and 80% load
Leakage Current	< 750 μ A maximum @ 264 VAC
Harmonics	EN61000-3-2 Class D

Output Specifications:

Adjustment Range	Fixed At Factory
Minimum Load	None
Regulation	$\pm 5\%$
Ripple / Noise	$\pm 1\%$ or 100mv pk-pk max, whichever is greater
Transient Response	+/- 5% Deviation / < 1msec recovery
Set-Point Accuracy	$\pm 2\%$
Short Circuit Protection	Continuous
Over Load Protection	125-150%, auto-recovery
Over Voltage Protection	n/a

Emissions Standards

FCC Part 15J, Part 2	Within Class B Limits
EN55022 / CISPR22	Within Class B Limits

Electromagnetic Compatibility:

Electrostatic Discharge	EN61000-4-2, ± 4 KV Contact / ± 8 KV Air Discharge
Radiated Susceptibility	EN61000-4-3, 26-1000MHz, 10V/M, 80% AM
EFT / Bursts	EN61000-4-4, ± 2 KV
Surges	EN61000-4-5, ± 2 KV Line-Earth, ± 1 KV Line-Line
Conducted Immunity	EN61000-4-6, 0.15 - 800MHz, 10V, 80% AM
Voltage Dips	EN61000-4-11, 95% Dip & 10ms, 30% Dip & 500ms
Voltage Interruptions	EN61000-4-11, 95% Reduction, 5s
Radiated Emissions	FCC 68 part 15 Class B
Conducted Emissions	FCC 68 part 15 Class B
Harmonic Current	EN61000-3-2 Class D
Fluctuations & Flicker	EN61000-3-3

Environmental Specifications:

Operating Temp	0 ~ 40°C (De-Rate 5%/1°C Rise To +50°C)
Storage Temp	-20 ~ +85°C
Cooling	Convection Cooled
Temp Co-Efficient	0.4% per °C
Humidity	5 to 95% RH Non-Condensing
Vibration	3 Axes 1 Oct/min, 5 min at 4 Res. 0.75G Pk, 5-500Hz
Shock	20G Peak Acceleration
Reliability	> 100k hours MTBF (Full Load and 25°C Operation)

International Safety Approvals

Qualified to Meet	UL/cUL 60950-1 Approved, File # E158470
	TUV EN60950-1
	CE Mark (LVD)

PowDec
Technologies, Inc.

PowDec Technologies (Taiwan) Inc.
No. 9, Alley 9, Lane 392, Fu Teh
1st Road Hsi Chih, Taipei Hsien, Taiwan, 22150
Tel: (02)2694-2760
Fax: (02)2694-2753
E-mail: powdec@ms3.hinet.net
http://www.powdec.com.tw

PowDec Technologies (USA) Inc.
7013 Realm Drive, Suite E
San Jose, CA 95119 U.S.A.
Tel: (408) 362-9388
Fax: (408) 362-9355
E-mail: tedkang@powdec.com
http://www.powdec.com

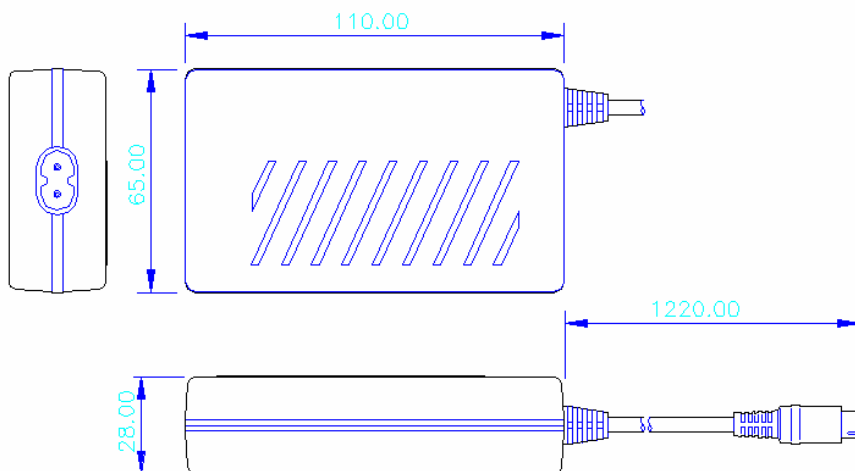
Output Table:

Model Number	(Watts)	V1	A1
AI60-9V	45.0	9 VDC	5000mA
AI60-12V	50.4	12VDC	4200mA
AI60-15V	54.0	15 VDC	3600mA
AI60-18V	60.0	18 VDC	3300mA
AI60-24V	60.0	24 VDC	2500mA
AI60-36V	61.0	36 VDC	1700mA
AI60-48V	63.0	48 VDC	1300mA

Mechanical Specifications:

Construction: External Desktop

Weight: 0.631 lb / 0.287 kg



UNIT: MM

The standard output cable length is 6 feet and terminated with a 5.5 x 2.1 x 12mm barrel jack connector (center positive).

Additional output plugs available upon request, minimum quantities may apply.