

UPN100 Series

100 Watts

Single & Dual Output Switching Power Supply

Features:

- * Small 5.0 x 3.30 x 1.50" U-Frame Package
- * Active Power Factor Correction
- * Universal AC Input (47-63 Hz)
- * Convection Cooled Operation
- * 100,000 hours MTBF (25°C Full Load Operation)
- * Class B Emissions
- * International Safety Approvals & CE Mark
- * 3 Year Warranty



Input Specifications:

Input Range	Universal VAC (90-264 VAC) & 120-370 VDC
Input Frequency	47-63 Hz or DC
Inrush Current	25A @ 115VAC / 50A @ 230VAC max (cold start)
Input Current	3000mA @ 90 VAC / 1350mA @ 200 VAC Maximum
Input Reflected Ripple	FCC 68 part 15 Class B
Efficiency	75% Typical (depending on output model)
Input Protection	Single Fused (4 Amp / 250 V)
Hold-up Time	Half Cycle Minimum @ 120 VAC and 80% load
Leakage Current	< 750 μ A maximum @ 264 VAC
Harmonics	EN61000-3-2 Class A

Output Specifications:

Adjustment Range	Fixed at Factory
Minimum Load	See Output Table
Regulation	V1 = 3% V2 = 10% max
Ripple / Noise	\pm 1% pk-pk max (20MHz)
Transient Response	+/- 5% Deviation / < 1msec recovery
Set-Point Accuracy	\pm 2%
Short Circuit Protection	Continuous
Over Load Protection	125-150%, automatic recovery
Over Voltage Protection	120-150%, latched shutdown

Emissions Standards

FCC Part 15J, Part 2	Within Class B Limits
EN55022 / CISPR22	Within Class B Limits

Electromagnetic Compatibility:

Electrostatic Discharge	EN61000-4-2, \pm 4KV Contact / \pm 8KV Air Discharge
Radiated Susceptibility	EN61000-4-3, 26-1000MHz, 10V/M, 80% AM
EFT / Bursts	EN61000-4-4, \pm 2KV
Surges	EN61000-4-5, \pm 2KV Line-Earth, \pm 1KV Line-Line
Conducted Immunity	EN61000-4-6, 0.15 - 800MHz, 10V, 80% AM
Voltage Dips	EN61000-4-11, 95% Dip & 10ms, 30% Dip & 500ms
Voltage Interruptions	EN61000-4-11, 95% Reduction, 5s
Radiated Emissions	FCC 68 part 15 Class B
Conducted Emissions	FCC 68 part 15 Class B
Harmonic Current	EN61000-3-2 Class A
Fluctuations & Flicker	EN61000-3-3

Environmental Specifications:

Operating Temp	0 ~ 50°C (De-Rate 2.5%/1°C Rise To + 70°C)
Storage Temp	-20 ~ + 85°C
Cooling	30 cfm airflow required for full load or derate 25%
Temp Co-Efficient	0.05% per degrees celsius
Humidity	5 to 95% RH Non-Condensing
Vibration	3 Axes 1 Oct/min, 5 min at 4 Res. 0.75G Pk, 5-500Hz
Shock	20G Peak Acceleration
Reliability	> 100k hours MTBF (Full Load and 25°C Operation)

International Safety Approvals

Standards	UL 60950 (3rd Edition) File # E158470
	CSA 22.2 No. 60950
	TUV EN60950
	CE Mark (LVD)

PowDec
Technologies, Inc.

PowDec Technologies (Taiwan) Inc.
No. 9, Alley 9, Lane 392, Fu Teh
1st Road Hsi Chih, Taipei Hsien, Taiwan, 22150
Tel: (02) 2694-2760
Fax: (02) 2694-2753
E-mail: powdec@ms3.hinet.net
http://www.powdec.com.tw

PowDec Technologies (USA) Inc.
7013 Realm Drive, Suite E
San Jose, CA 95119 U.S.A.
Tel: (408) 362-9388
E-mail: tedkang@powdec.com
http://www.powdec.com

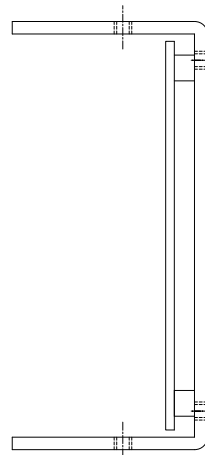
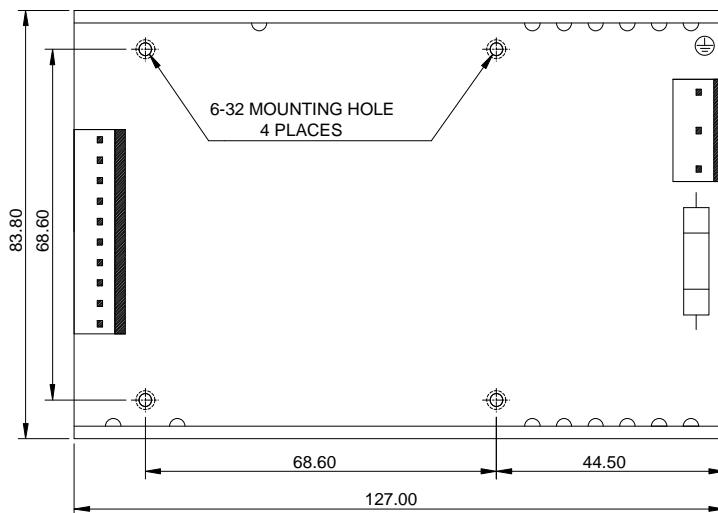
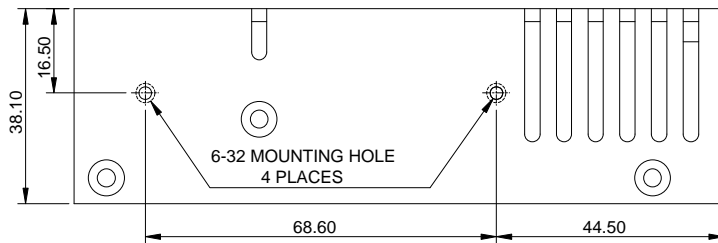
Output Table:

Model Number	Max Power	V1	Io Min	Io Max	V2	Io Min	Io Max
UPN100-3.3V	66 Watts	3.3VDC	2000mA	20.0A	-	-	-
UPN100-5V	100 Watts	5VDC	2000mA	20.0A	-	-	-
UPN100-12V	100 Watts	12VDC	800mA	8.3A	-	-	-
UPN100-15V	100 Watts	15VDC	500mA	6.6A	-	-	-
UPN100-24V	100 Watts	24VDC	200mA	4.2A	-	-	-
UPN100-48V	100 Watts	48VDC	200mA	2.1A	-	-	-
UPN100-3.3V-5V	100 Watts	+3.3VDC	2000mA	20.0A	+5VDC	200mA	0.5A
UPN100-5V -12V	100 Watts	+5VDC	2000mA	20.0A	+12VDC	200mA	0.5A

Mechanical Specifications:

Construction: U-Frame

Weight: 1.084 lb / 0.492 kg



Input Pin Assignments:

- CN1-1 Line
- CN1-2 Neutral

Output Pin Assignments:

- CN2-1 V2 or NC
- CN2-2 V1
- CN2-3 V1
- CN2-4 V1
- CN2-5 V1
- CN2-6 V1
- CN2-7 RTN
- CN2-8 RTN
- CN2-9 RTN
- CN2-10 RTN
- CN2-11 RTN
- CN2-12 RTN

Mating Connectors:

CN1 (AC Input) Mating Connector:
Molex 09-52-4034 (5239 series)

CN2 (DC Output) Mating Connector:
Molex 09-50-2120 (2139 series)