



INNOVATIVE DISPLAY TECHNOLOGIES

17171 MURPHY AVENUE
IRVINE, CALIFORNIA 92614-5915
P: 949-417-8070/F: 949-417-8075

E-mail: info@shellyinc.com
Website: www.shellyinc.com

Specification

Part Number : **SCA05010-BFN-LRN**

Customer : **Version (A001)**

APPROVED BY: (FOR CUSTOMER USE ONLY)	PCB VERSION:	DATE:
--	---------------------	--------------

SOLD BY	APPROVED BY	CHECKED BY	ISSUE DATE

CONTENTS

NO.	ITEM	PAGE
1.	Cover	1
2.	Record of Revision	2
3.	LCD Module Physical Data	3
4.	External Dimensions	4
5.	Block Diagram	5~6
6.	Absolute Maximum Ratings	6
7.	Electrical Characteristics	7
8.	Touch Screen Panel Specifications	8
9.	Interface PIN Connections	9~12
10.	Electro-Optical Characteristics	13~18
11.	Inspection Criterion	19~22
12.	Precautions for Using LCD Modules	23~25

ACCEPTED BY: -----

PROPOSED BY : -----

DATE	PAGE	SUMMARY
2009/06/26	P4	Update display mode and LCM drawing
2009/09/07	P13	Add electro-optical
2009/09/11	front	Added version #A001

◆ LCD MODULE PHYSICAL DATA

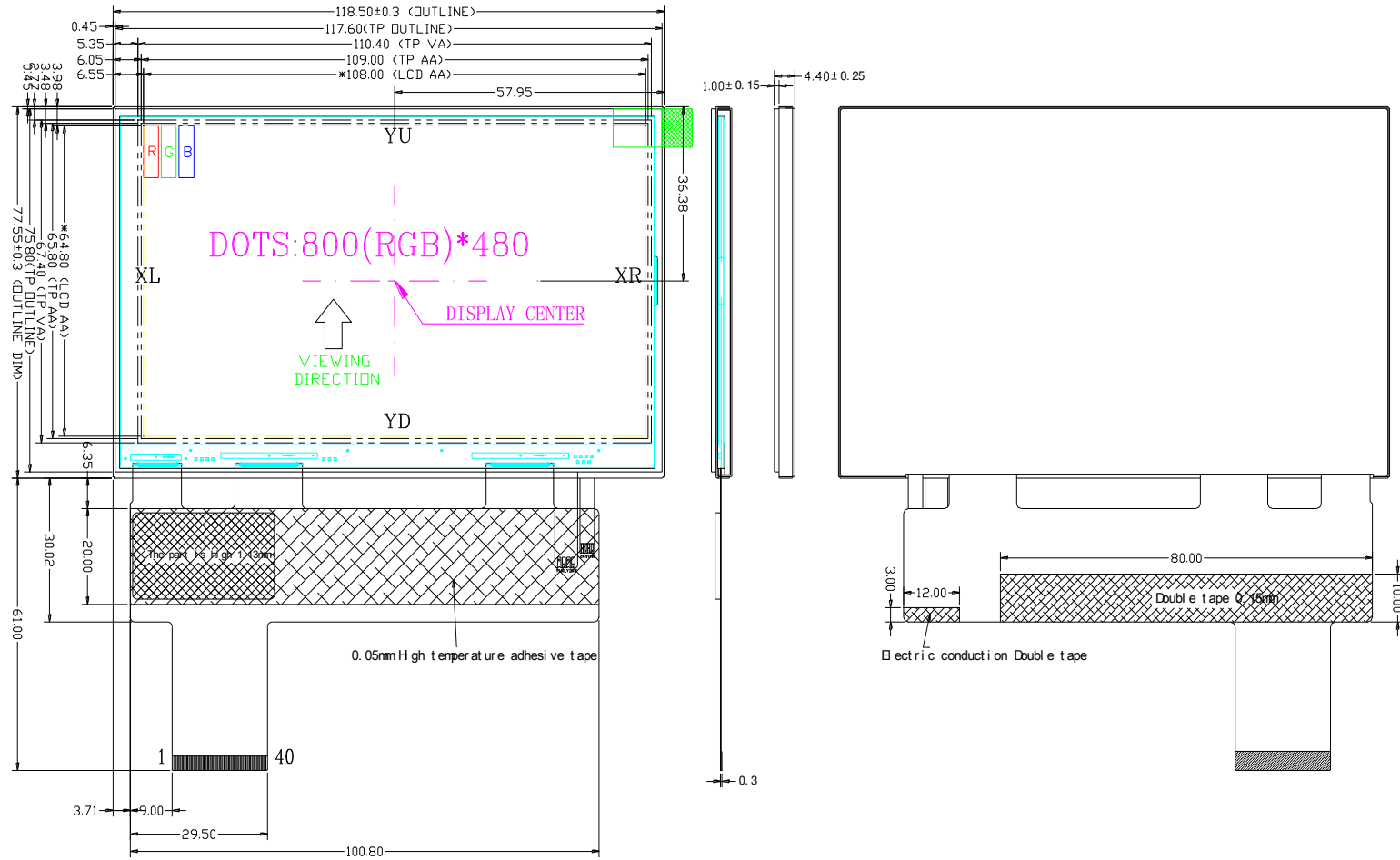
● General Description

Display Type	16M TFT
Display Mode	POSITIVE
Viewing Direction	6 o'clock
Connection Type	COG
Operation temperature	-20°C ~ 70°C
Storage temperature	-30°C ~ 80°C
Driving IC	HX8258-A×2+HX8662C

● Mechanical Description

Item	Standard Value	Unit
Number of dots	800RGB×480dots	-
LCM dimension	118.50(W)×77.55(H)×4.40(T)	mm
TP outline	117.60(W)×75.80(H)	mm
TP active area	109.00(W)×65.80(H)	mm
Active area	108.00(W)×64.80(H)	mm
Dot size	0.125(W)×0.125 (H)	mm
Dot pitch	0.135(W)×0.135(H)	mm
Backlight	14 chip white LEDS	/

◆ EXTERNAL DIMENSIONS

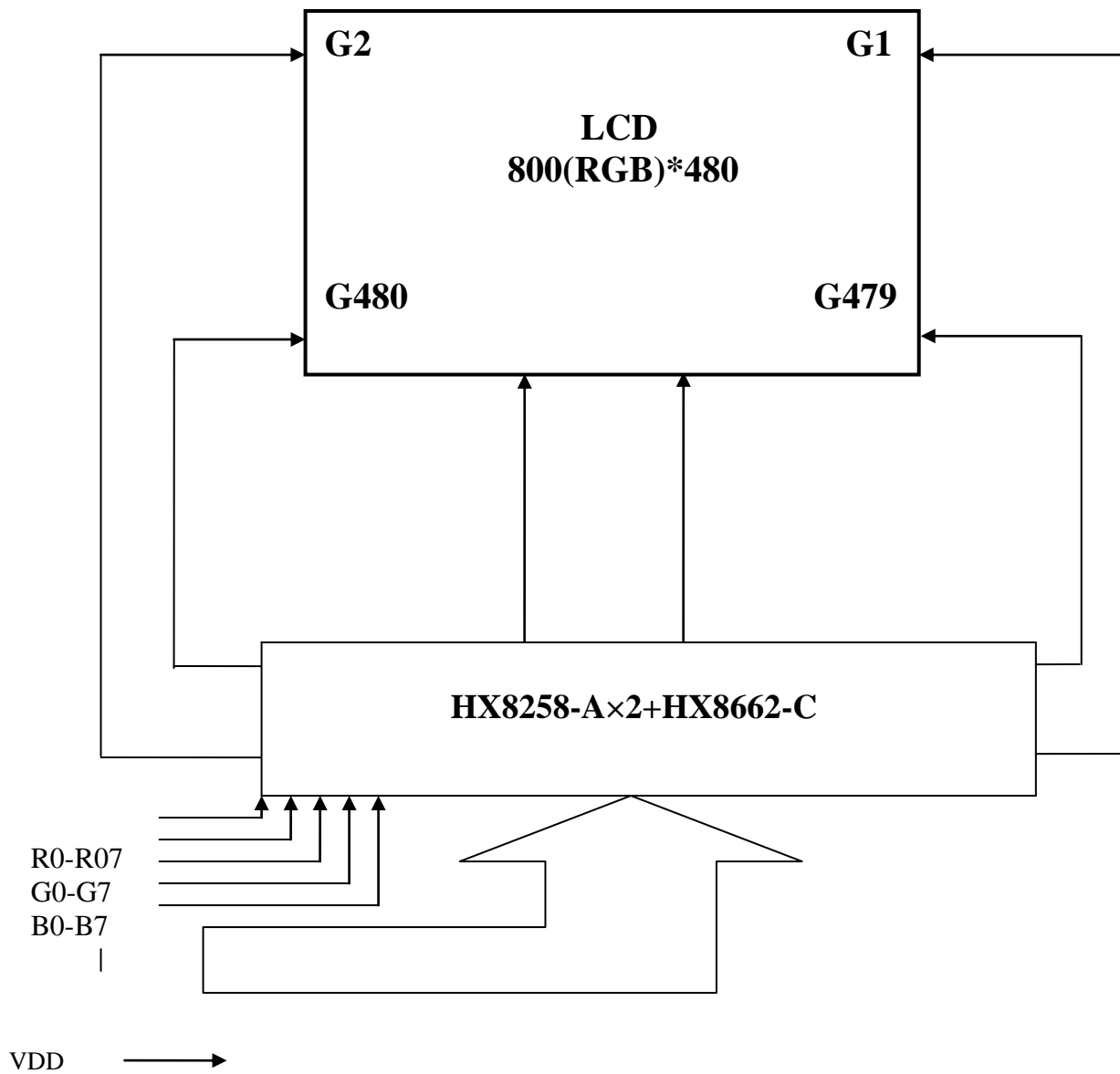


NO.	SYMBOL	CON DESCRIPTION
01	VLED-	VLED-
02	VLED+	VLED+
03	DGND	DGND
04	VDD	VDD
05	R0	R0
06	R1	R1
07	R2	R2
08	R3	R3
09	R4	R4
10	R5	R5
11	R6	R6
12	R7	R7
13	G0	G0
14	G1	G1
15	G2	G2
16	G3	G3
17	G4	G4
18	G5	G5
19	G6	G6
20	G7	G7
21	B0	B0
22	B1	B1
23	B2	B2
24	B3	B3
25	B4	B4
26	B5	B5
27	B6	B6
28	B7	B7
29	DGND	DGND
30	DCLK	DCLK
31	NC	NC
32	Hsync	Hsync
33	Vsync	Vsync
34	DE	DE
35	NC	NC
36	DGND	DGND
37	XR	XR
38	YD	YD
39	XL	XL
40	YU	YU

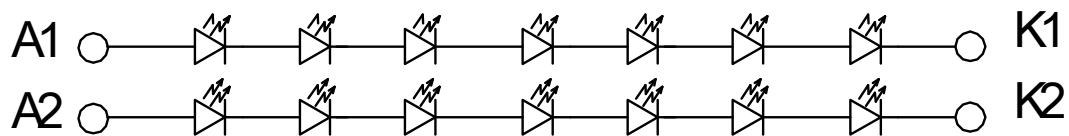
NOTE

1. DISPLAY TYPE: TFT 16M TRANSMISSIVE
2. DRIVE IC: HX8662-A*2&HX8258C
- 3.
4. LCM CONNECTOR: FH19S-40S-0.5SH
5. BACKLIGHT: 14 Chip White LED
6. GENERAL TOLERANCE: ± 0.3
7. "*" KEY DIMENSION: F
8. ALL MATERIALS MUST BE BHS-001 COMPLIANT; C

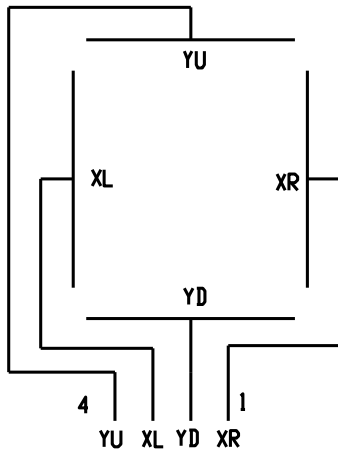
◆ **BLOCK DIAGRAM**



● **Backlight Circuit**



● Touch Screen Panel(Top View)



◆ ABSOLUTE MAXIMUM RATINGS

Item	Symbol	Rating	Unit
Operating temperature	Top	-20 to 70	°C
Storage temperature	Tst	-30 to 80	°C
Power Supply Voltage(1)	VDC	-0.3 to 8	V
Power Supply Voltage(2)	VDD	-0.3 to 8	V
Power Supply Voltage(3)	VDDA	-0.3 to 13.5	V
Input Voltage	Vin	-0.5 to VCC+0.5	V
Supply voltage for LCD	VGH – VGL	0 to 45	V

NOTE:

1. If the module is used above these absolute maximum ratings. It may become permanently damaged. Using the module within the following electrical characteristic conditions are also exceeded, the module will malfunction and cause poor reliability.
2. VDD>GND must be maintained.

◆ ELECTRICAL CHARACTERISTICS

● DC Characteristics

Item	Symbol	Condition	Min	Typ	Max	Unit
Input high voltage	V _{IH}	-	0.7 VDD	-	VDD	V
Input low voltage	V _{IL}	-	0	-	0.2VDD	V
Supply voltage(1)	V _{DC} -V _{SS}	Ta=25°C	4.75	5	5.5	
Supply voltage(2)	V _{DD} -V _{SS}	Ta=25°C	2.7	3.3	3.6	V
Supply voltage(3)	V _{DDA} -V _{SS}	Ta=25°C	6.5	11.46	13.5	V
Current consumption for LCD normal operation	I _{DD}	No load V _{DD} =3.3V V _{DC} =5.0V V _{DDA} =11.46	-		TBD	uA

● Back-Light unit

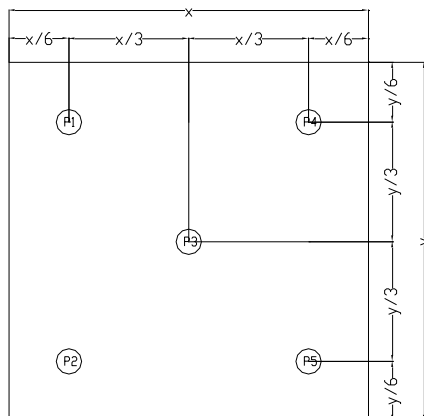
Item	Symbol	Min	Typ	Max	Unit	Remark
Current	I _{BL}	-	20	-	mA	1 LED
CIE	X	0.25	-	0.31	-	X>Y
	Y	0.24	-	0.31	-	
Luminous Uniformity Ratio	-	75	-	-	%	-
Bezel(BE) must be connected to ground of the main board						

Note:

1. Average Luminous Intensity of P1 ~ P5 (Using a luminance meter BM-7)

2. Luminous Intensity Ratio = min/max * 100%

Measured Method (X*Y: Light Area).



● AC Characteristics

Refer to the SPEC of HX8258-A×2+HX8662-C

◆ TOUCH SCREEN PANEL SPECIFICATIONS

1. Electrical Characteristics

Item	Min	Typ	Max	Unit	Note
Linearity	-	-	1.5	%	X-Axis, Y-Axis
Terminal Resistance	260		1400	Ω	X(Glass side)
	160		680	Ω	Y(Film side)
Insulation Resistance	20	-	-	MΩ	DC 25V
Operating voltage	-	5	-	V	DC
Response Time	-	-	10	Ms	-
Transmittance	73	-	-	%	-

Note 1) : Do not operate it with a thing except a polyacetal pen (tip R0.8mm or less) or a finger, especially those with hard or sharp tips such as a ball point pen or a mechanical pencil

2. Mechanical & Durability Characteristics

Item	Min	Typ	Max	Unit	Note
Operating Force	50	-	200	G	(1)
Touch Test	1,000,000	-	-	Times	(2)
Handwriting Friction Test	100,000	-	-	Times	(3)
Surface hardness	3	-	-	H	(4)

Note (1) Pen : 0.8N or less (R0.8mm)

Finger : 0.8N or less (0.8mm)

(2) Measurement for Center part of Panel

-Hitting Pad : Tip R8mm Silicon Rubber & Tip R0.8mm Stylus pen

-Load : 150gf

-Speed : 2times/sec

-Electric load : None

(3) Measurement for 2.0mm inside of transparent insulation

-Sliding Pen : Tip R0.8mm Stylus pen

-Load : 150gf

-Speed : 60mm/sec

-Sliding Length : 25mm

-Electric load : None

(4) Pressure 500gf, 45deg

3. Integration Design Guide

- Avoid the design that Front-case overlap and press on the active area of the touch-panel.
- Give enough gap (over 0.5mm at compressed) between the front case and touch-panel to protect wrong operating.
- Use a buffer material (Gasket) between the touch-panel and Front-case to protect damage and wrong operating.
- Avoid the design that buffer material overlap and press on the inside of touch-panel viewing area.

◆ INTERFACE PIN CONNECTIONS

NO.	Symbol	Function
1	VLED-	Backlight negative
2	VLED+	Backlight positive
3	DGND	Ground
4	VDD	Power supply
5	R0	8-bit Red Data bus
6	R1	
7	R2	
8	R3	
9	R4	
10	R5	
11	R6	
12	R7	
13	G0	8-bit Green Data bus
14	G1	
15	G2	
16	G3	
17	G4	
18	G5	
19	G6	
20	G7	
21	B0	8-bit Blue data bus
22	B1	
23	B2	
24	B3	
25	B4	
26	B5	
27	B6	
28	B7	
29	DGND	Ground
30	DCLK	Clock signal
31	NC	No connection
32	HSYNC	Horizon sync signal
33	VSYNC	Vertical sync signal
34	DE	Data enable signal in RGB mode

35	NC	No connection
36	DGND	Ground
37	XR	TP pin
38	YD	
39	XL	
40	YU	

◆ Timing Requirement1

(TA =25°C, AVDD=2.75V to 3.6V, DVSS= 0V, tr=tf=2ns)

PARAMETER	Symbol	Spec.			Unit
		Min.	Typ.	Max.	
HS setup time	T_{hst}	6	-	-	ns
HS hold time	T_{hhd}	6	-	-	ns
VS setup time	T_{vst}	6	-	-	ns
VS hold time	T_{vhd}	6	-	-	ns
Data setup time	T_{dsu}	6	-	-	ns
Data hold time	T_{dhd}	6	-	-	ns
DEN setup time	T_{esu}	6	-	-	ns
VS falling to HS falling time (HS_POL=HS_POL=L)	T_{HV}	-4	0	+4	T_{CPH}
Source output settling time	T_{ST}	-	-	15	μs
Source output loading R	R_{SL}	-	2	-	K ohm
Source output loading C	C_{SL}	-	60	-	pF
POL output delay time	T_{DP}	-	-	40	ns

Timing Requirement2

Sync mode :

(TA =25°C, AVDD=2.75V to 3.6V, DVSS= 0V)

PARAMETER	Symbol	Spec.			Unit
		Min.	Typ.	Max.	
CLK frequency	F _{CPH}	-	33.26	-	MHz
CLK period	T _{CPH}	-	30.06	-	ns
CLK pulse duty	T _{CWH}	40	50	60	%
HS period	T _H	-	1056	-	T _{CPH}
HS pulse width	T _{WH}	1	128	-	T _{CPH}
HS-first horizontal data time	T _{HS}	STHD[7:0]+88 ⁽¹⁾			T _{CPH}
HS Active Time	T _{HA}	-	800	-	T _{CPH}
VS period	T _V	-	525	-	T _H
VS pulse width	T _{WV}	1	2	-	T _H
VS-DEN time	T _{VS}	STVD[6:0]+8			T _H
VS Active Time	T _{VA}	-	480	-	T _H

Note :

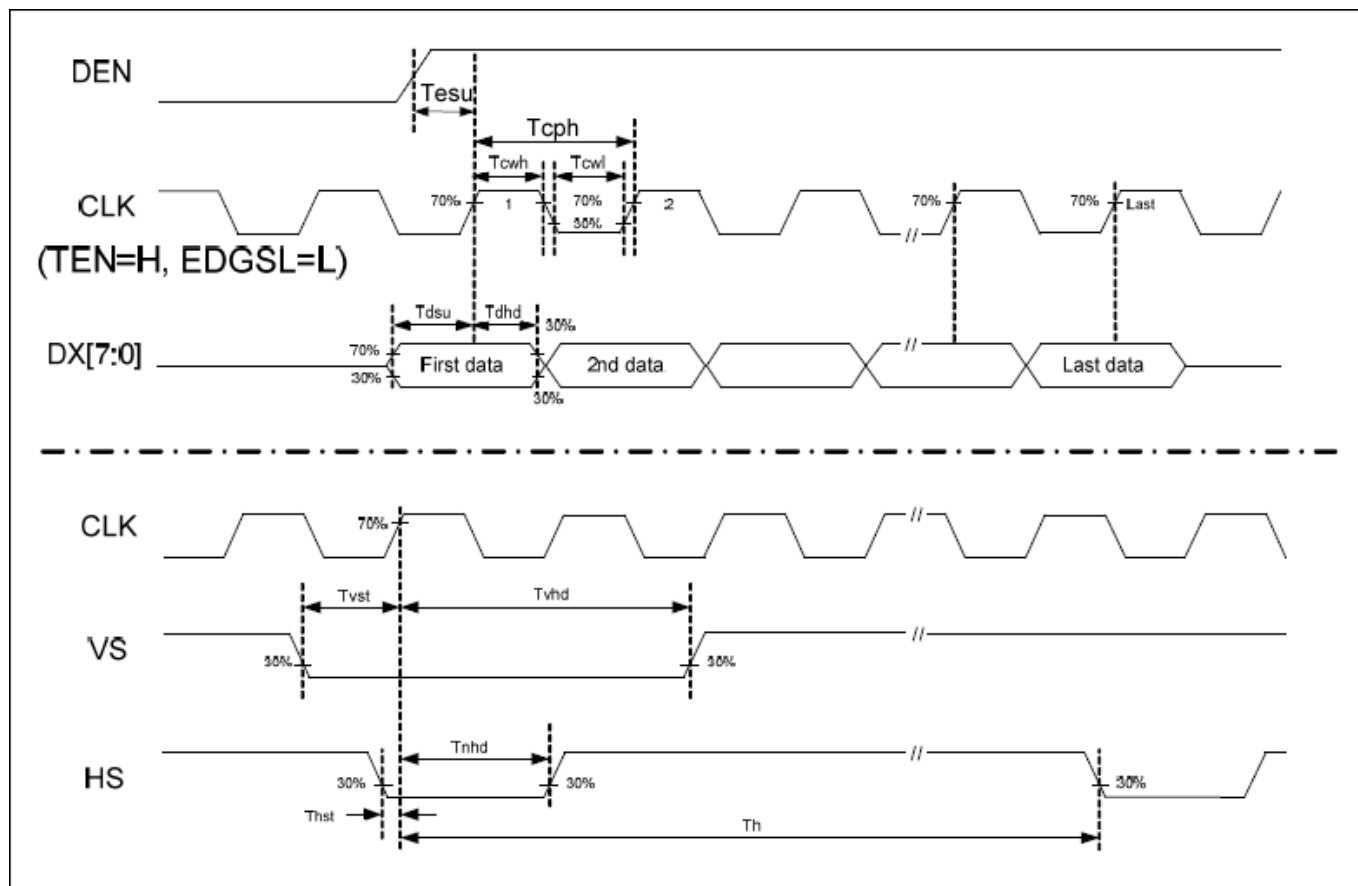
$$T_{HS}+T_{HA}<T_H$$

DEN mode

PARAMETER	Symbol	Spec.			Unit
		Min.	Typ.	Max.	
CLK frequency	F _{CPH}	-	33.26	-	MHz
CLK period	T _{CPH}	-	30.06	-	ns
CLK pulse duty	T _{CWH}	40	50	60	%
DE period	T _{DEH} +T _{DEL}	1000	1056	1200	T _{CPH}
DE pulse width	T _{DH}	-	800	-	T _{CPH}
DE frame blanking	T _{HS}	10	45	110	T _{DEH} +T _{DEL}
DE frame width	T _{EP}	-	480	-	T _{DEH} +T _{DEL}

PARAMETER	Symbol	Spec.			Unit
		Min.	Typ.	Max.	
OEV pulse width	T _{OEV}	-	150	-	T _{CPH}
CKV pulse width	T _{CKV}	-	133	-	T _{CPH}
DE(internal)-STV time	T ₁	-	4	-	T _{CPH}
DE(internal)-CKV time	T ₂	-	40	-	T _{CPH}
DE(internal)-OEV time	T ₃	-	23	-	T _{CPH}
DE(internal)-POL time	T ₄	-	157	-	T _{CPH}
STV pulse width	-	-	1	-	T _H

WAVEFORM



◆ ELECTRO-OPTICAL CHARACTERISTICS

Driving condition: VDD=3.3V, I_{BL}= 20mA, Temperature =23°C±5°C , Humidity=60%±20%RH

Item	Light angle (°)	Temp (°C)	Symbol	Specifications			Unit	Conditions	Note		
				Min.	Typ.	Max.					
Transmittance	0	25	-	-	5.5	-	%	(Equipment :BM-7/CS-200)	(1)		
Contrast ratio	0	25	Cr	-	520	-	-		(2)		
Brightness	0	25	-	-	240	-	cd/m ²		-		
Luminance uniformity (surface within panel)	0	25	Lu	70	80	-	%		(3)		
Cross talk	0	25	CTV	-	-	20	%		(4)		
Chromaticity	R x	0	25	Rx	0.5758	0.6258	0.6758	-	-		
	R y			Ry	0.2959	0.3459	0.3959				
	G x			Gx	0.2983	0.3483	0.3983				
	G y			Gy	0.5338	0.5838	0.6338				
	B x			Bx	0.0954	0.1454	0.1954				
	B y			By	0.0728	0.1228	0.1728				
	W x			Wx	0.2829	0.3329	0.3839				
	W y			Wy	0.3163	0.3663	0.4163				
Color Reproduction Area(NTSC)		0	25	-	-	55	-	%	CIE1931(x,y)	(5)	
Response time	Tr	0	25	-	-	15	30	ms	Viewing normal angle $\theta_X = \theta_Y = 0^0$	-	
	Tf				-	35	50				
Viewing angle	Hor.	0	25	-	-	60	-	deg	Center CR≥10	-	
					θ_{X-}	-	60				-
	Ver.				θ_{Y+}	-	65				-
					θ_{Y-}	-	45				-

Note:

(1) .Transmittance

Introduction

Transmittance (diffuse transmission factor) is a measure for the LCD panel transparency. The Light Source for this measurement is the accompanying LCD-module backlight system (LEDs, Lightguide...)

Measurement conditions:

Measuring Equipment	BM-7/CS-200
Measurement Point Diameter	3mm
Measurement Point Location	Active Area Center Point
Light source	LCD module backlight
Reflectance Plate	Reflectance Standard(cal. plate)
Test pattern	All pixels white
Contrast setting	Maximum

Measuring procedure:

Transmittance:

The light source is located at the backside of the panel.

- 1、 Measure the light source
- 2、 Place the LCD panel in front of the light source. Measure the luminance on the LCD panel surface

Definitions

$$\tau = \frac{L_{V_{\text{LCD-panel}}}}{L_{V_{\text{lightsource}}}} * 100\%$$

(2) **Definition of Contrast Ratio (C/R):** Ratio of gray max (Gmax) & gray min (Gmin) at the center point.

$$CR = \frac{G(\text{Max})}{G(\text{Min})}$$

Where

Gmax: Luminance with all pixels white

Gmin: Luminance with all pixels black

(3). **Surface luminance uniformity within panel**

Measurement conditions:

Measuring Equipment	CS-200 // BM-7
Measurement Point Diameter	3mm // 1mm
Measurement Point Location	Active Area
Light Source	Transmissive Mode: Internal (Backlight)
Test pattern	White

Measuring procedure:

Measure the luminance L_i with the points in figure 1.

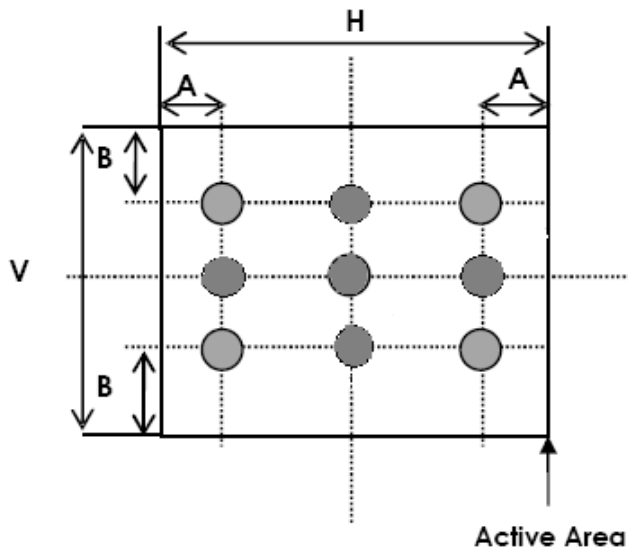


Figure 1

A: 5 mm B: 5 mm
H, V: Active Area

Uniformity value (L_u):

$$L_u = \frac{\min(L_i)}{\max(L_i)} * 100\%$$

(4).CROSS-TALK

Introduction :

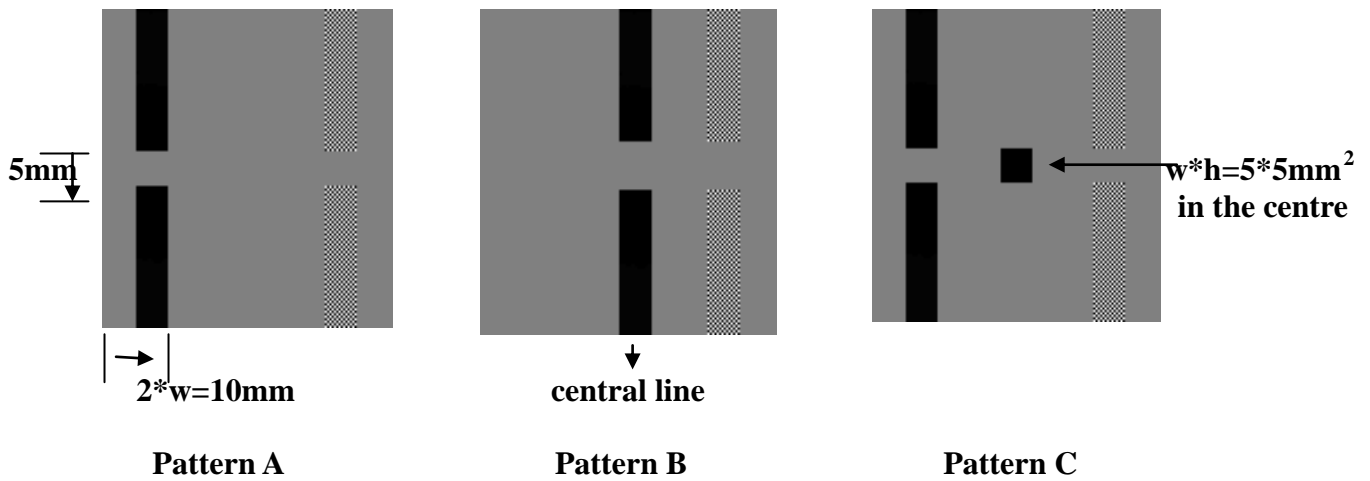
Crosstalk is an effect where the contrast of a display pixel is influenced by the state of the related pixels. A measure for this effect is the Cross Talk Value (CTV)

Measurement conditions:

Measuring Equipment	CS-200 // BM-7
Measurement Point Diameter	3mm // 1mm
Measurement Point Location	
Light Source	Transmissive Mode: Internal (Backlight)
Contrast setting	Maximum

● **Test Pattern (valid for all greyscales):**

W: The width of the rectangle in the following pictures;



● **Definitions :**

Cross Talk Value :

$$CTV = |L_{vA} - L_{vB}| / L_{vA} * 100\%$$

Where :

L_{vA}: Luminance measured with the centre test point of pattern A

L_{vB}: Luminance measured with the centre test point of pattern B.

● **Measuring procedure :**

Adaptation of the display to the highest contrast ratio (CR = L_{vA}/L_{vC}) as defined by the test patterns and a test area of 14 x 14 dots.

Measurement of Luminance with test point A, B.

Determination of Crosstalk value (CTV)

(5). NTSC

Measurement conditions:

Measuring Equipment	LCD-5200
Measuring Point Diameter	3mm//1mm
Measuring point location	Active Area center point
Light source	Transmissive Mode: internal(Backlight)
Test pattern	All Pixels White Red.Green.Blue.White: Maximum colour saturation (maximum gradation level)
Contrast setting	Maximum

Definitions

Panel colour coordinates according the CIE colour system (CIE 1931). In general, It is always requested to measure the X, Y and Z values.

Here u', v' and L* are according CIE 1931:

$$x' = \frac{4 \cdot X}{X + 15 \cdot Y + 3 \cdot Z}$$

$$y' = \frac{9 \cdot Y}{X + 15 \cdot Y + 3 \cdot Z}$$

$$L^* = 116 \cdot \left(\frac{Y}{Y_n} \right)^{1/3} - 16$$

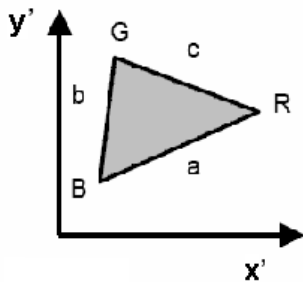
Colour distance definition (maximum allowed colour distance to specified typical colour coordinate):

$$\Delta x' y' = \sqrt{\Delta x'^2 + \Delta y'^2}$$

Where:

$$\Delta x' = \text{Max} \left| x'_{\text{typ}} - x'_{\text{max}} \right|, \left| x'_{\text{typ}} - x'_{\text{min}} \right|$$

$$\Delta y' = \text{Max} \left| y'_{\text{typ}} - y'_{\text{max}} \right|, \left| y'_{\text{typ}} - y'_{\text{min}} \right|$$



Color Gamut definition:

$$F = \sqrt{s(a-b)(a-c)} * 1000$$

Where

$$s = \frac{a+b+c}{2}$$

$$a = \sqrt{x'_{\text{blue}} - x'_{\text{red}}^2 + y'_{\text{blue}} - y'_{\text{red}}^2}$$

$$b = \sqrt{x'_{\text{blue}} - x'_{\text{green}}^2 + y'_{\text{blue}} - y'_{\text{green}}^2}$$

$$c = \sqrt{x'_{\text{red}} - x'_{\text{green}}^2 + y'_{\text{red}} - y'_{\text{green}}^2}$$

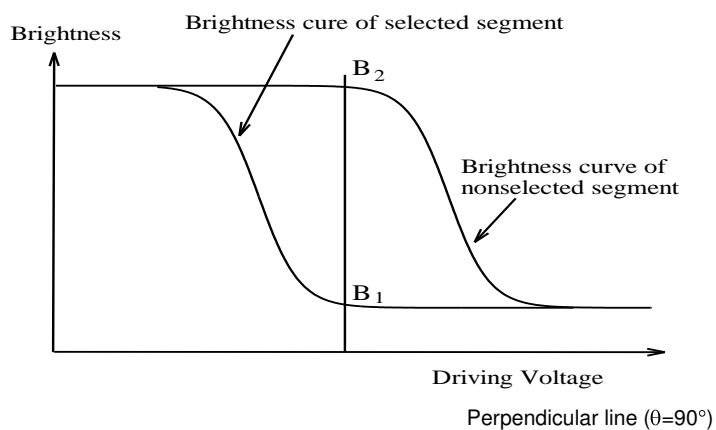
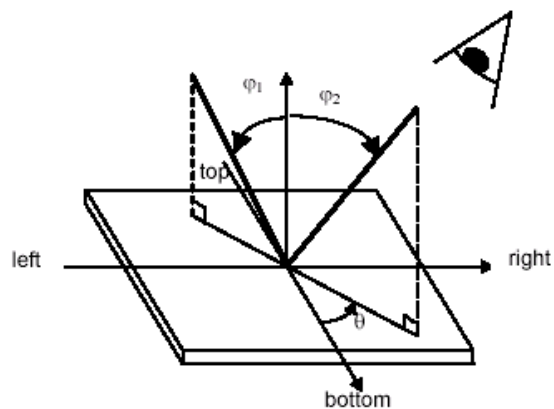
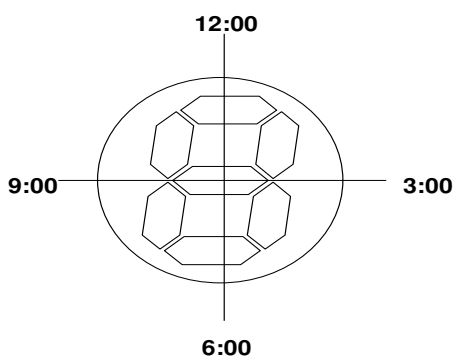
Color Gamut Ratio (NTSC) related to NTSC':

NTSC: =F (display)/F (NTSC')

NTSC' primaries:

	x'	y'
Red	0.67	0.33
Green	0.21	0.71
Blue	0.14	0.08

F (NTSC') =74.42



◆ INSPECTION CRITERIA

This specification is made to be used as the standard acceptance/rejection criteria for Color mobile phone LCM.

1 Sample plan

Sampling method shall be in accordance with MIL-STD-105D, inspection level II and based on:

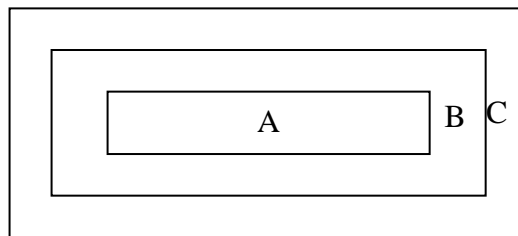
Major defect: AQL 0.65

Minor defect: AQL 1.5

2. Inspection condition

Viewing distance for cosmetic inspection is about 30cm with bare eyes, and under an environment of 20~40W light intensity, all directions for inspecting the sample should be within 45° against perpendicular line.

3. Definition of inspection zone in LCD.



Zone A: character/Digit area

Zone B: viewing area except Zone A (Zone A + Zone B = minimum Viewing area)

Zone C: Outside viewing area (invisible area after assembly in customer's product)

Fig.1 Inspection zones in an LCD.

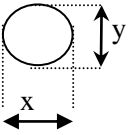
Note: As a general rule, visual defects in Zone C are permissible, when it is no trouble for quality and assembly of customer's product.

4. Inspection standards

4.1 Major Defect

Item No	Items to be inspected	Inspection Standard	Classification of defects
4.1.1	All functional defects	1) No display 2) Display abnormally 3) Missing vertical , horizontal segment 4) Short circuit 5) Back-light no lighting, flickering and abnormal lighting.	Major
4.1.2	Missing	Missing component	
4.1.3	Outline dimension	Overall outline dimension beyond the drawing is not allowed.	

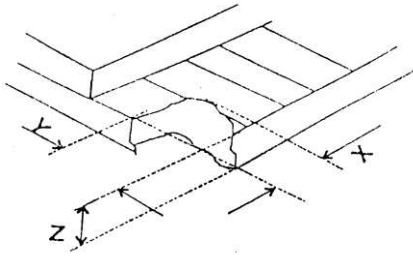
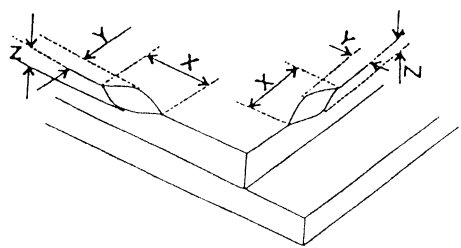
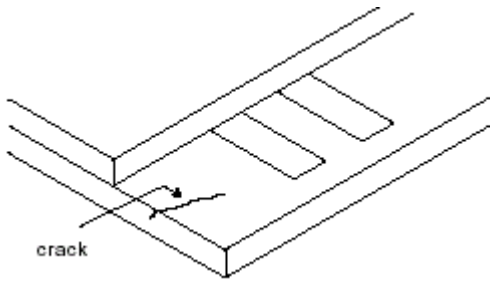
4.2 Cosmetic Defect

Item No	Items to be inspected	Inspection Standard	Classification of defects																						
4.2.1	Clear Spots	For dark/white spot, size Φ is defined as $\Phi = \frac{(x+y)}{2}$	Minor																						
	Black and white Spot defect Pinhole, Foreign Particle, Dirt under polarizer	 <p>1.</p> <table border="1"> <thead> <tr> <th rowspan="2">Size(mm) \ Zone</th> <th colspan="3">Acceptable Qty</th> </tr> <tr> <th>A</th> <th>B</th> <th>C</th> </tr> </thead> <tbody> <tr> <td>$\Phi \leq 0.1$</td> <td colspan="3">Ignore</td> </tr> <tr> <td>$0.10 < \Phi \leq 0.2$</td> <td colspan="3">3</td> </tr> <tr> <td>$0.2 < \Phi \leq 0.3$</td> <td colspan="3">2</td> </tr> <tr> <td>$\Phi > 0.3$</td> <td colspan="3">0</td> </tr> </tbody> </table>		Size(mm) \ Zone	Acceptable Qty			A	B	C	$\Phi \leq 0.1$	Ignore			$0.10 < \Phi \leq 0.2$	3			$0.2 < \Phi \leq 0.3$	2			$\Phi > 0.3$	0	
Size(mm) \ Zone	Acceptable Qty																								
	A	B	C																						
$\Phi \leq 0.1$	Ignore																								
$0.10 < \Phi \leq 0.2$	3																								
$0.2 < \Phi \leq 0.3$	2																								
$\Phi > 0.3$	0																								
	Dim Spots	2.	Minor																						
	Circle shaped and dim edged defects	<table border="1"> <thead> <tr> <th rowspan="2">2. Zone \ Size(mm)</th> <th colspan="3">Acceptable Qty</th> </tr> <tr> <th>A</th> <th>B</th> <th>C</th> </tr> </thead> <tbody> <tr> <td>$\Phi \leq 0.2$</td> <td colspan="3">Ignore</td> </tr> <tr> <td>$0.20 < \Phi \leq 0.40$</td> <td colspan="3">2</td> </tr> <tr> <td>$0.40 < \Phi \leq 0.60$</td> <td colspan="3">1</td> </tr> <tr> <td>$0.60 < \Phi$</td> <td colspan="3">0</td> </tr> </tbody> </table>		2. Zone \ Size(mm)	Acceptable Qty			A	B	C	$\Phi \leq 0.2$	Ignore			$0.20 < \Phi \leq 0.40$	2			$0.40 < \Phi \leq 0.60$	1			$0.60 < \Phi$	0	
2. Zone \ Size(mm)	Acceptable Qty																								
	A	B	C																						
$\Phi \leq 0.2$	Ignore																								
$0.20 < \Phi \leq 0.40$	2																								
$0.40 < \Phi \leq 0.60$	1																								
$0.60 < \Phi$	0																								

4.2. Cosmetic Defect

Item No	Items to be inspected	Inspection Standard	Classification of defects																																				
4.2.2	Line defect Black line, White line, Foreign material under polarizer,	<table border="1"> <thead> <tr> <th colspan="2" data-bbox="438 286 863 342">Size(mm)</th> <th colspan="3" data-bbox="863 286 1201 342">Acceptable Qty</th> </tr> <tr> <th data-bbox="438 342 627 427">L(Length)</th> <th data-bbox="627 342 863 427">W(Width)</th> <th colspan="3" data-bbox="863 342 1201 387">Zone</th> </tr> <tr> <td colspan="2" data-bbox="438 427 627 488">Ignore</td> <td data-bbox="627 427 863 488">$W \leq 0.02$</td> <td data-bbox="863 387 981 427">A</td> <td data-bbox="981 387 1085 427">B</td> <td data-bbox="1085 387 1201 427">C</td> </tr> </thead> <tbody> <tr> <td data-bbox="438 488 627 562">$L \leq 3.0$</td> <td data-bbox="627 488 863 562">$0.02 < W \leq 0.03$</td> <td colspan="3" data-bbox="863 488 1201 562">Ignore</td> </tr> <tr> <td data-bbox="438 562 627 636">$L \leq 2.0$</td> <td data-bbox="627 562 863 636">$0.03 < W \leq 0.05$</td> <td colspan="3" data-bbox="863 562 1201 636">2</td> </tr> <tr> <td data-bbox="438 636 627 723"></td> <td data-bbox="627 636 863 723">$0.05 < W$</td> <td colspan="3" data-bbox="863 636 1201 723">1</td> </tr> <tr> <td data-bbox="438 723 627 763"></td> <td data-bbox="627 723 863 763"></td> <td colspan="3" data-bbox="863 723 1201 763">Define as spot defect</td> </tr> </tbody> </table>	Size(mm)		Acceptable Qty			L(Length)	W(Width)	Zone			Ignore		$W \leq 0.02$	A	B	C	$L \leq 3.0$	$0.02 < W \leq 0.03$	Ignore			$L \leq 2.0$	$0.03 < W \leq 0.05$	2				$0.05 < W$	1					Define as spot defect			Minor
Size(mm)		Acceptable Qty																																					
L(Length)	W(Width)	Zone																																					
Ignore		$W \leq 0.02$	A	B	C																																		
$L \leq 3.0$	$0.02 < W \leq 0.03$	Ignore																																					
$L \leq 2.0$	$0.03 < W \leq 0.05$	2																																					
	$0.05 < W$	1																																					
		Define as spot defect																																					
4.2.3	Polarizer scratch	<p>If the Polarizer scratch can be seen after mobile phone cover assembling or in the operating condition, judge by the line defect of 4.2.2.</p> <p>If the Polarizer scratch can be seen only in non-operating condition or some special angle, judge by the following.</p> <table border="1"> <thead> <tr> <th colspan="2" data-bbox="419 999 844 1055">Size(mm)</th> <th colspan="3" data-bbox="844 999 1139 1055">Acceptable Qty</th> </tr> <tr> <th data-bbox="419 1055 619 1167">L(Length)</th> <th data-bbox="619 1055 844 1167">W(Width)</th> <th colspan="3" data-bbox="844 1055 1139 1111">Zone</th> </tr> <tr> <td colspan="2" data-bbox="419 1167 619 1234">Ignore</td> <td data-bbox="619 1167 844 1234">$W \leq 0.03$</td> <td data-bbox="844 1111 911 1167">A</td> <td data-bbox="911 1111 994 1167">B</td> <td data-bbox="994 1111 1139 1167">C</td> </tr> </thead> <tbody> <tr> <td data-bbox="419 1234 619 1301">$5.0 < L \leq 10.0$</td> <td data-bbox="619 1234 844 1301">$0.03 < W \leq 0.05$</td> <td colspan="3" data-bbox="844 1234 1139 1301">Ignore</td> </tr> <tr> <td data-bbox="419 1301 619 1368">$L \leq 5.0$</td> <td data-bbox="619 1301 844 1368">$0.05 < W \leq 0.08$</td> <td colspan="3" data-bbox="844 1301 1139 1368">2</td> </tr> <tr> <td data-bbox="419 1368 619 1451"></td> <td data-bbox="619 1368 844 1451">$0.08 < W$</td> <td colspan="3" data-bbox="844 1368 1139 1451">1</td> </tr> <tr> <td data-bbox="419 1451 619 1451"></td> <td data-bbox="619 1451 844 1451"></td> <td colspan="3" data-bbox="844 1451 1139 1451">0</td> </tr> </tbody> </table>	Size(mm)		Acceptable Qty			L(Length)	W(Width)	Zone			Ignore		$W \leq 0.03$	A	B	C	$5.0 < L \leq 10.0$	$0.03 < W \leq 0.05$	Ignore			$L \leq 5.0$	$0.05 < W \leq 0.08$	2				$0.08 < W$	1					0			Minor
Size(mm)		Acceptable Qty																																					
L(Length)	W(Width)	Zone																																					
Ignore		$W \leq 0.03$	A	B	C																																		
$5.0 < L \leq 10.0$	$0.03 < W \leq 0.05$	Ignore																																					
$L \leq 5.0$	$0.05 < W \leq 0.08$	2																																					
	$0.08 < W$	1																																					
		0																																					
4.2.4	Polarize Air bubble	<p>Air bubbles between glass & polarizer</p> <table border="1"> <thead> <tr> <th data-bbox="419 1536 643 1648" rowspan="2">2. Zone Size(mm)</th> <th colspan="3" data-bbox="643 1536 1139 1592">Acceptable Qty</th> </tr> <tr> <th data-bbox="643 1592 799 1648">A</th> <th data-bbox="799 1592 971 1648">B</th> <th data-bbox="971 1592 1139 1648">C</th> </tr> </thead> <tbody> <tr> <td data-bbox="419 1648 643 1727">$\Phi \leq 0.2$</td> <td colspan="3" data-bbox="643 1648 1139 1727">Ignore</td> </tr> <tr> <td data-bbox="419 1727 643 1805">$0.20 < \Phi \leq 0.30$</td> <td colspan="3" data-bbox="643 1727 1139 1805">2</td> </tr> <tr> <td data-bbox="419 1805 643 1883">$0.30 < \Phi \leq 0.50$</td> <td colspan="3" data-bbox="643 1805 1139 1883">1</td> </tr> <tr> <td data-bbox="419 1883 643 1944">$0.50 < \Phi$</td> <td colspan="3" data-bbox="643 1883 1139 1944">0</td> </tr> </tbody> </table>	2. Zone Size(mm)	Acceptable Qty			A	B	C	$\Phi \leq 0.2$	Ignore			$0.20 < \Phi \leq 0.30$	2			$0.30 < \Phi \leq 0.50$	1			$0.50 < \Phi$	0			Minor													
2. Zone Size(mm)	Acceptable Qty																																						
	A	B	C																																				
$\Phi \leq 0.2$	Ignore																																						
$0.20 < \Phi \leq 0.30$	2																																						
$0.30 < \Phi \leq 0.50$	1																																						
$0.50 < \Phi$	0																																						

4.3. Cosmetic Defect

Item No	Items to be inspected	Inspection Standard	Classification of defects						
4.3.5	Glass defect	<p>(i) Chips on corner</p>  <table border="1" data-bbox="478 604 1117 705"> <thead> <tr> <th>X</th> <th>Y</th> <th>Z</th> </tr> </thead> <tbody> <tr> <td>≤ 2.0</td> <td>≤ S</td> <td>Disregard</td> </tr> </tbody> </table> <p>Notes: S=contact pad length Chips on the corner of terminal shall not be allowed to extend into the ITO pad or expose perimeter seal.</p>	X	Y	Z	≤ 2.0	≤ S	Disregard	Minor
		X	Y	Z					
		≤ 2.0	≤ S	Disregard					
<p>(ii) Usual surface cracks</p>  <table border="1" data-bbox="454 1153 1141 1254"> <thead> <tr> <th>X</th> <th>Y</th> <th>Z</th> </tr> </thead> <tbody> <tr> <td>≤ 3.0</td> <td>< Inner border line of the seal</td> <td>Disregard</td> </tr> </tbody> </table>	X	Y	Z	≤ 3.0	< Inner border line of the seal	Disregard	Minor		
X	Y	Z							
≤ 3.0	< Inner border line of the seal	Disregard							
<p>(iii) Crack Cracks tend to break are not allowed.</p> 	Major								
4.3.6	Parts alignment	<p>1) Not allow IC and FPC/heat-seal lead width is more than 50% beyond lead pattern. 2) Not allow chip or solder component is off center more than 50% of the pad outline.</p>	Minor						
4.3.7	SMT	According to the <Acceptability of electronic assemblies> IPC-A-610C class 2 standard. Component missing or function defect are Major defect, the others are Minor defect.							

◆ PRECAUTIONS FOR USING LCD MODULES

Handling Precautions

(1) The display panel is made of glass and polarizer. As glass is fragile, it tends to become or chipped during handling especially on the edges. Please avoid dropping or jarring. Do not subject it to a mechanical shock by dropping it or impact.

(2) If the display panel is damaged and the liquid crystal substance leaks out, be sure not to get any in your mouth. If the substance contacts your skin or clothes, wash it off using soap and water.

(3) Do not apply excessive force to the display surface or the adjoining areas since this may cause the color tone to vary. Do not touch the display with bare hands. This will stain the display area and degraded insulation between terminals (some cosmetics are determined to the polarizer).

(4) The polarizer covering the display surface of the LCD module is soft and easily scratched. Handle this polarizer carefully. Do not touch, push or rub the exposed polarizer's with anything harder than an HB pencil lead (glass, tweezers, etc.). Do not put or attach anything on the display area to avoid leaving marks on. Condensation on the surface and contact with terminals due to cold will damage, stain or dirty the polarizer. After products are tested at low temperature they must be warmed up in a container before coming is contacting with room temperature air.

(5) If the display surface becomes contaminated, breathe on the surface and gently wipe it with a soft dry cloth. If it is heavily contaminated, moisten cloth with one of the following solvents

- Isopropyl alcohol
- Ethyl alcohol

Do not scrub hard to avoid damaging the display surface.

(6) Solvents other than those above-mentioned may damage the polarizer. Especially, do not use the following.

- Water
- Ketone
- Aromatic solvents

Wipe off saliva or water drops immediately, contact with water over a long period of time may cause deformation or color fading. Avoid contacting oil and fats.

(7) Exercise care to minimize corrosion of the electrode. Corrosion of the electrodes is accelerated by water droplets, moisture condensation or a current flow in a high-humidity environment.

(8) Install the LCD Module by using the mounting holes. When mounting the LCD module make sure it is free of twisting, warping and distortion. In particular, do not forcibly pull or bend the I/O cable or the backlight cable.

(9) Do not attempt to disassemble or process the LCD module.

(10) NC terminal should be open. Do not connect anything.

(11) If the logic circuit power is off, do not apply the input signals.

(12) Electro-Static Discharge Control , Since this module uses a CMOS LSI, the same careful attention should be paid to electrostatic discharge as for an ordinary CMOS IC. To prevent destruction of the elements by static electricity, be careful to maintain an optimum work environment.

- Before remove LCM from its packing case or incorporating it into a set, be sure the module and your body have the same electric potential. Be sure to ground the body when handling the LCD modules.

- Tools required for assembling, such as soldering irons, must be properly grounded. make certain the AC power source for the soldering iron does not leak. When using an electric screwdriver to attach LCM, the screwdriver should be of ground potentiality to minimize as much as possible any transmission of electromagnetic waves produced sparks coming from the commutator of the motor.

- To reduce the amount of static electricity generated, do not conduct assembling and other work under dry conditions. To reduce the generation of static electricity be careful that the air in the work is not too dried. A relative humidity of 50%-60% is recommended. As far as possible make the electric potential of your work clothes and that of the work bench the ground potential

- The LCD module is coated with a film to protect the display surface. Exercise care when peeling off this protective film since static electricity may be generated

(13) Since LCM has been assembled and adjusted with a high degree of precision, avoid applying excessive shocks to the module or making any alterations or modifications to it.

- Do not alter, modify or change the shape of the tab on the metal frame.
 - Do not make extra holes on the printed circuit board, modify its shape or change the positions of components to be attached.
 - Do not damage or modify the pattern writing on the printed circuit board.
 - Absolutely do not modify the zebra rubber strip (conductive rubber) or heat seal connector.
 - Except for soldering the interface, do not make any alterations or modifications with a soldering iron.
- Do not drop, bend or twist LCM.

Storage Precautions

When storing the LCD modules, the following precaution is necessary.

- (1) Store them in a sealed polyethylene bag. If properly sealed, there is no need for the dessicant.
- (2) Store them in a dark place. Do not expose to sunlight or fluorescent light, keep the temperature between 0°C and 35°C.
- (3) The polarizer surface should not come in contact with any other objects. (We advise you to store them in the container in which they were shipped).

Others

Liquid crystals solidify under low temperature (below the storage temperature range) leading to defective orientation or the generation of air bubbles (black or white). Air bubbles may also be generated if the module is subject to a low temperature.

If the LCD modules have been operating for a long time showing the same display patterns, the display patterns may remain on the screen as ghost images and a slight contrast irregularity may also appear. A normal operating status can be regained by suspending use for some time. It should be noted that this phenomenon does not adversely affect performance reliability.

To minimize the performance degradation of the LCD modules resulting from destruction caused by static electricity etc., exercise care to avoid holding the following sections when handling the modules.

- Exposed area of the printed circuit board.
- Terminal electrode sections.

Precautions for Operation

(1) Viewing angle varies with the change of liquid crystal driving voltage (VLCD). Adjust VLCD to show the best contrast.

(2) It is an indispensable condition to drive LCD's within the specified voltage limit since the higher voltage than the limit cause the shorter LCD life. An electrochemical reaction due to direct current causes LCD's undesirable deterioration, so that the use of direct current drive should be avoided.

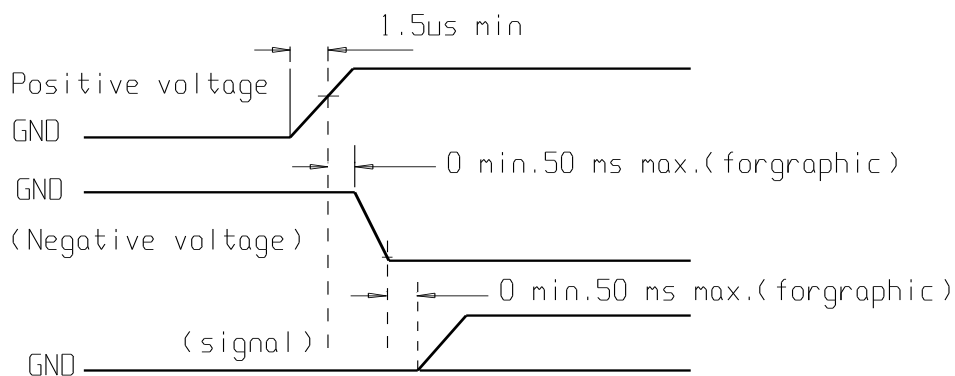
(3) Response time will be extremely delayed at lower temperature than the operating temperature range and on the other hand at higher temperature LCD's show dark color in them. However those phenomena do not mean malfunction or out of order with LCD's, Which will come back in the specified operating temperature.

(4) If the display area is pushed hard during operation, the display will become abnormal. However, it will return to normal if it is turned off and then back on.

(5) A slight dew depositing on terminals is a cause for electro-chemical reaction resulting in terminal open circuit. Usage under the maximum operating temperature, 50% RH or less is required.

(6) Input each signal after the positive/negative voltage becomes stable.

(7) Please keep the temperature within specified range for use and storage. Polarization degradation, bubble generation or polarizer peel-off may occur with high temperature and high humidity.



Safety

(1) It is recommended to crush damaged or unnecessary LCDs into pieces and wash them off with solvents such as acetone and ethanol, which should later be burned.

(2) If any liquid leaks out of a damaged glass cell and comes in contact with the hands, wash off thoroughly with soap and water.

Limited Warranty

Unless agreed between Shelly Associates Inc. and customer, Shelly Associates Inc will replace or repair any of its LCD modules which are found to be functionally defective when inspected in accordance with Shelly Associates Inc acceptance standards (copies available upon request) for a period of one year from date of shipments. Cosmetic/visual defects must be returned to Shelly within 90 days of shipment. Confirmation of such date shall be based on freight documents. The warranty liability of Shelly Associates Inc limited to repair and/or replacement on the terms set forth above. Shelly Associates Inc will not be responsible for any subsequent or consequential events.