



Features

- Data rate 1.25Gbps
- Up to 20km transmission on SMF
- 1310nm FP transmitter and 1490nm PIN receiver for SPL-34-GB-EBX-CDFM
- 1490nm DFB transmitter and 1310nm PIN receiver for SPL-43-GB-EBX-CDFM
- Digital diagnostic monitor interface compliant with SFF-8472
- SFP MSA package with single LC receptacle
- +3.3V single power supply
- Operating case temperature:
Standard: -5~+70°C
- RoHS compliant

Regulatory Compliance

Table 1 - Regulatory Compliance

| Feature | Standard | Performance |
|---|--|---------------------------------------|
| Electrostatic Discharge (ESD) to the Electrical Pins | MIL-STD-883E Method 3015.7 | Class 1 |
| Electrostatic Discharge (ESD) to the Duplex LC Receptacle | IEC 61000-4-2 | Compliant with standards |
| Electromagnetic Interference (EMI) | FCC Part 15 Class B | Compliant with standards |
| Laser Eye Safety | FDA 21CFR 1040.10 and 1040.11 EN60950, EN (IEC) 60825-1,2 | Compliant with Class I laser product. |
| RoHS | 2011/65/EU | Compliant with RoHS |

Absolute Maximum Ratings

Table 2 - Absolute Maximum Ratings

| Parameter | Symbol | Min. | Typical | Max. | Unit | Notes |
|-----------------------------|-----------------|------|---------|------|------|-------|
| Storage Temperature | T _s | -40 | - | +85 | °C | |
| Supply Voltage | V _{CC} | 0 | - | +4 | V | |
| Operating Relative Humidity | RH | +5 | - | +95 | % | |

Recommended Operating Conditions

Table 3 – Recommended Operating Conditions

| Parameter | Symbol | Min. | Typical | Max. | Unit | Notes |
|----------------------------|----------|------|---------|------|------|-------|
| Operating Case Temperature | T_C | -5 | | +70 | °C | |
| Power Supply Voltage | V_{CC} | 3.13 | 3.3 | 3.47 | V | |
| Power Supply Current | I_{CC} | - | - | 300 | mA | |
| Data Rate | | | 1.25 | | Gbps | |

Optical Characteristics

Table 4 – Optical Characteristics (SPL-43-GB-EBX-CDFM)

| Transmitter | | | | | | |
|--------------------------|-------------------------|-----------------|---------|------|------|-------|
| Parameter | Symbol | Min. | Typical | Max. | Unit | Notes |
| Centre Wavelength | λ_C | 1260 | 1310 | 1360 | nm | |
| Average Output Power | P_{OUT} | -8 | | -3 | dBm | 1 |
| Spectral Width (RMS) | 1260nm | $\Delta\lambda$ | | 2.09 | nm | |
| | 1270nm | | | 2.52 | | |
| | 1280nm | | | 3.13 | | |
| | 1286nm | | | 3.50 | | |
| | 1343nm | | | 3.06 | | |
| | 1350nm | | | 2.58 | | |
| | 1360nm | | | | | |
| Extinction Ratio | EX | 6 | | | dB | |
| Rise/Fall Time (20%~80%) | tr /tf | | | 0.26 | ns | |
| Deterministic Jitter | DJ | | | 200 | ps | |
| Total Jitter | TJ | | | 385 | ps | |
| Optical Eye Mask | IEEE 802.3ah Compatible | | | | | 2 |
| Receiver | | | | | | |
| Centre Wavelength | λ_C | 1480 | 1490 | 1500 | nm | |
| Receiver Sensitivity | P_{IN} | | | -23 | dBm | 3 |
| Receiver Overload | P_{IN} | -3 | | | dBm | 3 |
| LOS Assert | LOS_A | -35 | | | dBm | |
| LOS Deassert | LOS_D | | | -23 | dBm | |
| LOS Hysteresis | | 0.5 | | 5 | dB | |

Notes:

1. The optical power is launched into SMF.
2. Measured with a PRBS 2^7-1 test pattern @1.25Gbps.

3. Measured with a PRBS 2^7-1 test pattern@1.25Gbps, $BER \leq 1 \times 10^{-12}$.

Table 5 – Optical Characteristics (SPL-43-GB-EBX-CDFM)

| Transmitter | | | | | | |
|---|-------------------------|------|---------|------|------|-------|
| Parameter | Symbol | Min. | Typical | Max. | Unit | Notes |
| Centre Wavelength | λ_C | 1480 | 1490 | 1500 | nm | |
| Average Output Power | P_{OUT} | -8 | | -3 | dBm | 1 |
| Average Launch Power of OFF Transmitter | | | | -45 | dBm | |
| Spectral Width (-20dB) | $\Delta\lambda$ | | | 0.88 | nm | |
| Extinction Ratio | EX | 6 | | | dB | |
| Side Mode Suppression Ratio | | 30 | | | dB | |
| Launch OMA | OMA | 8.2 | | | dBm | |
| Rise/Fall Time (20%~80%) | tr /tf | | | 0.26 | ns | |
| Deterministic Jitter | DJ | | | 200 | ps | |
| Total Jitter | TJ | | | 385 | ps | |
| Optical Eye Mask | IEEE 802.3ah Compatible | | | | | 2 |
| Receiver | | | | | | |
| Centre Wavelength | λ_C | 1260 | 1310 | 1360 | nm | |
| Receiver Sensitivity | P_{IN} | | | -23 | dBm | 3 |
| Receiver Overload | P_{IN} | -3 | | | dBm | 3 |
| LOS Assert | LOS_A | -35 | | | dBm | |
| LOS Deassert | LOS_D | | | -23 | dBm | |
| LOS Hysteresis | | 0.5 | | 5 | dB | |

Notes:

1. The optical power is launched into SMF.
2. Measured with a PRBS 2^7-1 test pattern @1.25Gbps.
3. Measured with a PRBS 2^7-1 test pattern@1.25Gbps, $BER \leq 1 \times 10^{-12}$.

Electrical Characteristics

Table 6 – Electrical Characteristics

| Transmitter | | | | | | |
|-------------------------------|----------|------|---------|----------|----------|-------|
| Parameter | Symbol | Min. | Typical | Max. | Unit | Notes |
| Data Input Swing Differential | V_{IN} | 500 | | 2400 | mV | 1 |
| Input Differential Impedance | Z_{IN} | 80 | 100 | 120 | Ω | |
| Tx_DIS Disable | V_D | 2.0 | | V_{CC} | V | |
| Tx_DIS Enable | V_{EN} | GND | | GND+0.8 | V | |

| TX_ Fault (Fault) | | 2.0 | | Vcc+0.3 | V | |
|--------------------------------|-------------------------|-----|--|---------|----|---|
| TX_ Fault (Normal) | | 0 | | 0.8 | V | |
| Receiver | | | | | | |
| Data Output Swing Differential | V _{OUT} | 400 | | 1600 | mV | 1 |
| Rx_LOS Fault | V _{LOS-Fault} | 2.0 | | Vcc+0.3 | V | |
| Rx_LOS Normal | V _{LOS-Normal} | GND | | GND+0.8 | V | |

Notes:

1. Internally AC coupled

Recommended Host Board Power Supply Circuit

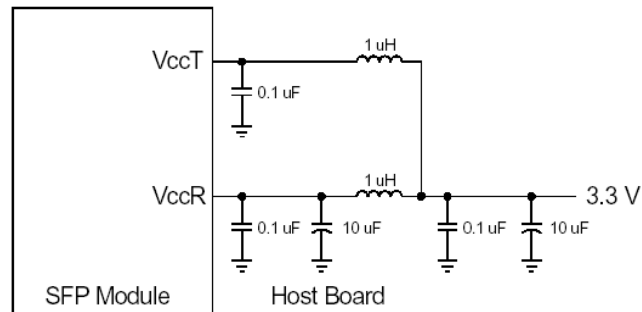


Figure 1, Recommended Host Board Power Supply Circuit

Recommended Interface Circuit

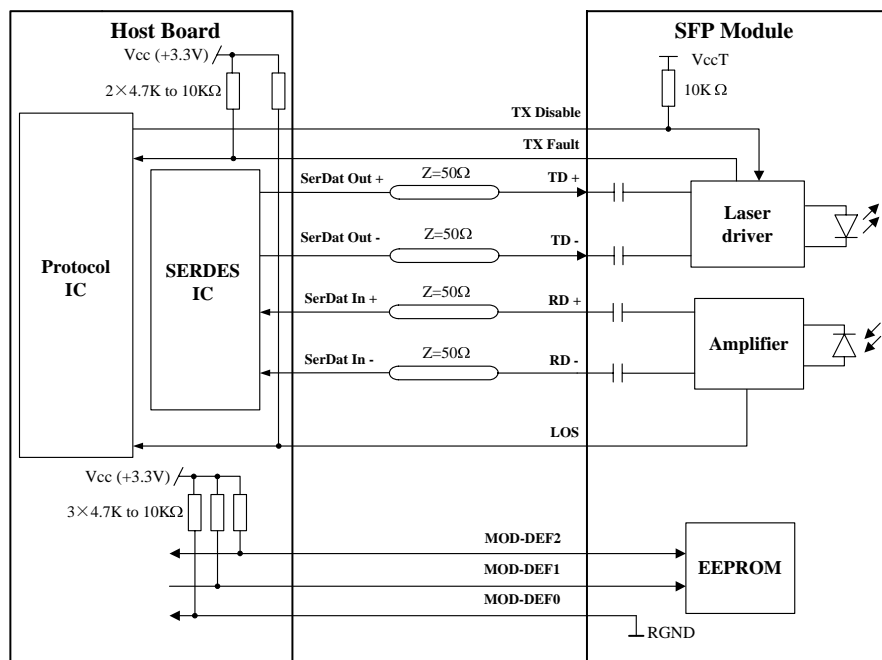


Figure 2, Recommended Interface Circuit

Pin Definitions

Figure 3 below shows the pin numbering of SFP electrical interface. The pin functions are described in Table 6 with some accompanying notes.

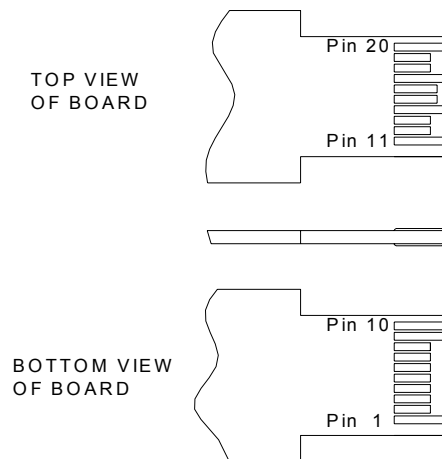


Figure 3, Pin View

Table 7 - Pin Function Definitions

| Pin No. | Name | Function | Plug Seq. | Notes |
|---------|-------------|------------------------------|-----------|--------|
| 1 | VeeT | Transmitter Ground | 1 | |
| 2 | TX Fault | Transmitter Fault Indication | 3 | Note 1 |
| 3 | TX Disable | Transmitter Disable | 3 | Note 2 |
| 4 | MOD-DEF2 | Module Definition 2 | 3 | Note 3 |
| 5 | MOD-DEF1 | Module Definition 1 | 3 | Note 3 |
| 6 | MOD-DEF0 | Module Definition 0 | 3 | Note 3 |
| 7 | Rate Select | Not Connected | 3 | |
| 8 | LOS | Loss of Signal | 3 | Note 4 |
| 9 | VeeR | Receiver Ground | 1 | |
| 10 | VeeR | Receiver Ground | 1 | |
| 11 | VeeR | Receiver Ground | 1 | |
| 12 | RD- | Inv. Received Data Out | 3 | Note 5 |
| 13 | RD+ | Received Data Out | 3 | Note 5 |
| 14 | VeeR | Receiver Ground | 1 | |
| 15 | VccR | Receiver Power | 2 | |
| 16 | VccT | Transmitter Power | 2 | |
| 17 | VeeT | Transmitter Ground | 1 | |
| 18 | TD+ | Transmit Data In | 3 | Note 6 |
| 19 | TD- | Inv. Transmit Data In | 3 | Note 6 |
| 20 | VeeT | Transmitter Ground | 1 | |

Notes:

1. TX Fault is an open collector output, which should be pulled up with a 4.7k~10kΩ resistor on the host board to a voltage between 2.0V and Vcc+0.3V. Logic 0 indicates normal operation; logic 1 indicates a laser fault of some kind. In the low state, the output will be pulled to less than 0.8V.
2. TX Disable is an input that is used to shut down the transmitter optical output. It is pulled up within the module with a 4.7k~10kΩ resistor. Its states are:

| | |
|--------------------|----------------------|
| Low (0~0.8V): | Transmitter on |
| (>0.8V, <2.0V): | Undefined |
| High (2.0~3.465V): | Transmitter Disabled |
| Open: | Transmitter Disabled |
3. MOD-DEF 0,1,2 are the module definition pins. They should be pulled up with a 4.7k~10kΩ resistor on the host board. The pull-up voltage shall be VccT or VccR.
 - MOD-DEF 0 is grounded by the module to indicate that the module is present
 - MOD-DEF 1 is the clock line of two wires serial interface for serial ID
 - MOD-DEF 2 is the data line of two wires serial interface for serial ID
4. LOS is an open collector output, which should be pulled up with a 4.7k~10kΩ resistor on the host board to a voltage between 2.0V and Vcc+0.3V. Logic 0 indicates normal operation; logic 1 indicates loss of signal. In the low state, the output will be pulled to less than 0.8V.
5. These are the differential receiver output. They are internally AC-coupled 100Ω differential lines which should be terminated with 100Ω (differential) at the user SERDES.
6. These are the differential transmitter inputs. They are AC-coupled, differential lines with 100Ω differential termination inside the module.

EEPROM Information

The SFP MSA defines a 256-byte memory map in EEPROM describing the transceiver’s capabilities, standard interfaces, manufacturer, and other information, which is accessible over a 2 wire serial interface at the 8-bit address 1010000X (A0h). The memory contents refer to Table8.

Table 8 - EEPROM Serial ID Memory Contents (A0h)

| Addr. | Field Size (Bytes) | Name of Field | Hex | Description |
|-------|--------------------|-----------------|-------------------------|------------------|
| 0 | 1 | Identifier | 03 | SFP |
| 1 | 1 | Ext. Identifier | 04 | MOD4 |
| 2 | 1 | Connector | 07 | LC |
| 3—10 | 8 | Transceiver | 00 00 00 40 00 00 00 00 | Transmitter Code |
| 11 | 1 | Encoding | 01 | 8B10B |
| 12 | 1 | BR, nominal | 0D | 1.25Gbps |
| 13 | 1 | Reserved | 00 | |
| 14 | 1 | Length (9um)-km | 14 | 20km |
| 15 | 1 | Length (9um) | C8 | |

| | | | | |
|--------|-----|------------------|--|--|
| 16 | 1 | Length (50um) | 00 | |
| 17 | 1 | Length (62.5um) | 00 | |
| 18 | 1 | Length (copper) | 00 | |
| 19 | 1 | Reserved | 00 | |
| 20—35 | 16 | Vendor name | 53 4F 55 52 43 45 50 48 4F 54 4F 4E 49 43 53 20 | “SOURCEPHOTONICS”(ASC II) |
| 36 | 1 | Reserved | 00 | |
| 37—39 | 3 | Vendor OUI | 00 1F 22 | |
| 40—55 | 16 | Vendor PN | 53 50 4C xx xx 47 42 45 42 58 43 44 46 4D 20 20 | “SPL34GBEBXCDFM”or “SPL43GBEBXCDFM” (ASC II) |
| 56—59 | 4 | Vendor rev | xx xx 20 20 | ASC II (“31 30 20 20” means 1.0 revision) |
| 60-61 | 2 | Wavelength | 05 1E/05 D2 | 1310/1490nm |
| 62 | 1 | Reserved | 00 | |
| 63 | 1 | CC BASE | xx | Check sum of bytes 0 - 62 |
| 64—65 | 2 | Options | 00 1A | LOS, TX_FAULT and TX_DISABLE |
| 66 | 1 | BR, max | 00 | |
| 67 | 1 | BR, min | 00 | |
| 68—83 | 16 | Vendor SN | xx xx xx xx xx xx xx xx xx xx xx xx xx xx xx xx | ASC II . |
| 84—91 | 8 | Vendor date code | xx xx xx xx xx xx 20 20 | Year (2 bytes), Month (2 bytes), Day (2 bytes) |
| 92 | 1 | Diagnostic type | 58 | Diagnostics(Ext.Cal) |
| 93 | 1 | Enhanced option | B0 | Diagnostics (Optional Alarm/warning flags, Soft TX_FAULT and Soft TX_LOS monitoring) |
| 94 | 1 | SFF-8472 | 02 | Diagnostics(SFF-8472 Rev 9.4) |
| 95 | 1 | CC EXT | xx | Check sum of bytes 64 - 94 |
| 96—255 | 160 | Vendor specific | | |

Note: The “xx” byte should be filled in according to practical case. For more information, please refer to the related document of SFF-8472 Rev 9.5.

Monitoring Specification

The digital diagnostic monitoring interface also defines another 256-byte memory map in EEPROM, which makes use of the 8 bit address 1010001X (A2h). Please see Figure 4. For detail EEPROM information, please refer to the related document of SFF-8472 Rev 9.5. The monitoring specification of this product is described in Table9.

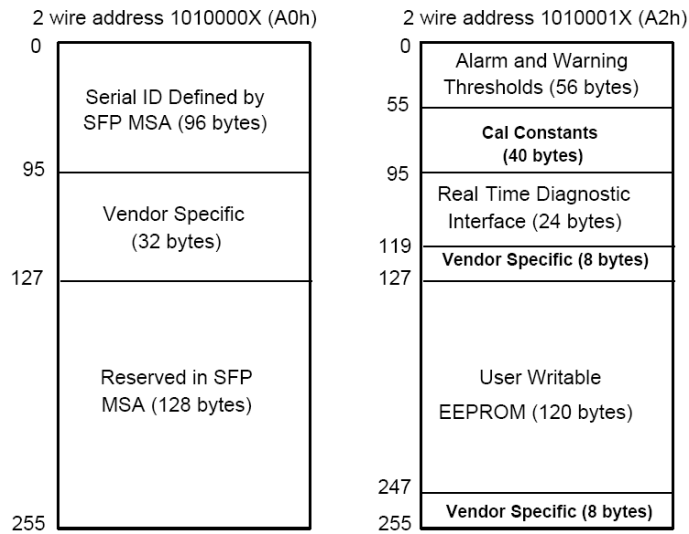


Figure 4, EEPROM Memory Map Specific Data Field Descriptions

Table 9- Monitoring Specification

| Parameter | Range | Accuracy | Calibration |
|--------------|---------------|----------|-------------|
| Temperature | -10 to 80°C | ±3°C | External |
| Voltage | 2.97 to 3.63V | ±3% | External |
| Bias Current | 3 to 80mA | ±10% | External |
| TX Power | -3 to -8dBm | ±3dB | External |
| RX Power | -3 to -23dBm | ±3dB | External |

Mechanical Diagram

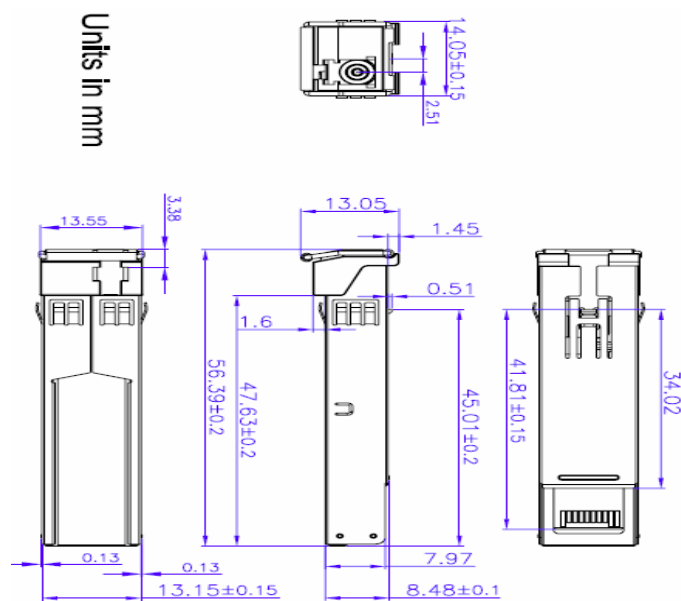


Figure 5, Mechanical Design Diagram of the SFP with Spring-Latch

Order Information

Table 10 – Order Information

| Part No. | Application | Data Rate | Laser Source | Fiber Type |
|--------------------|-----------------|-----------|---------------------------------------|------------|
| SPL-34-GB-EBX-CDFM | 1000BASE-BX20-U | 1.25Gbps | 1310nm FP transmitter and 1490nm PIN | SMF |
| SPL-43-GB-EBX-CDFM | 1000BASE-BX20-D | 1.25Gbps | 1490nm DFB transmitter and 1310nm PIN | SMF |

Warnings

Handling Precautions: This device is susceptible to damage as a result of electrostatic discharge (ESD). A static free environment is highly recommended. Follow guidelines according to proper ESD procedures.

Laser Safety: Radiation emitted by laser devices can be dangerous to human eyes. Avoid eye exposure to direct or indirect radiation.

Legal Notice

IMPORTANT NOTICE!

All information contained in this document is subject to change without notice, at Source Photonics's sole and absolute discretion. Source Photonics warrants performance of its products to current specifications only in accordance with the company's standard one-year warranty; however, specifications designated as "preliminary" are given to describe components only, and Source Photonics expressly disclaims any and all warranties for said products, including express, implied, and statutory warranties, warranties of merchantability, fitness for a particular purpose, and non-infringement of proprietary rights. Please refer to the company's Terms and Conditions of Sale for further warranty information.

Source Photonics assumes no liability for applications assistance, customer product design, software performance, or infringement of patents, services, or intellectual property described herein. No license, either express or implied, is granted under any patent right, copyright, or intellectual property right, and Source Photonics makes no representations or warranties that the product(s) described herein are free from patent, copyright, or intellectual property rights. Products described in this document are NOT intended for use in implantation or other life support applications where malfunction may result in injury or death to persons. Source Photonics customers using or selling products for use in such applications do so at their own risk and agree to fully defend and indemnify Source Photonics for any damages resulting from such use or sale.

THE INFORMATION CONTAINED IN THIS DOCUMENT IS PROVIDED ON AN "AS IS" BASIS. Customer agrees that Source Photonics is not liable for any actual, consequential, exemplary, or other damages arising directly or indirectly from any use of the information contained in this document. Customer must contact Source Photonics to obtain the latest version of this publication to verify, before placing any order, that the information contained herein

is current.

Contact

U.S.A. Headquarters

20550 Nordhoff Street
Chatsworth, CA 91311
USA
Tel: +1-818-773-9044
Fax: +1-818-773-0261

China

Building #2&5, West Export Processing Zone
No. 8 Kexin Road, Hi-Tech Zone
Chengdu, 611731, China
Tel: +86-28-8795-8788
Fax: +86-28-8795-8789

Taiwan

9F, No 81, Shui Lee Rd.
Hsinchu, Taiwan, R.O.C.
Tel: +886-3-5169222
Fax: +886-3-5169213

© Copyright Source Photonics, Inc. 2007~2013

All rights reserved