



## Features

- Dual data-rate 1.25Gbps/1.0625Gbps
- Up to 10km transmission on SMF
- 1310nm FP laser and PIN photodetector
- SFP MSA package with duplex LC connector
- Digital diagnostic monitor interface compliant with SFF-8472
- +3.3V single power supply
- Operating case temperature:
- Commercial temperature: -5 to +70°C;
- Extended temperature: -20 to +85°C;
- Industrial temperature: -40 to +85°C
- RoHS 6 compliant

## Regulatory Compliance

**Table 1 - Regulatory Compliance**

Feature	Standard	Performance
Electrostatic Discharge (ESD) to the Electrical Pins	MIL-STD-883E Method 3015.7	Class 1
Electrostatic Discharge (ESD) to the Duplex LC Receptacle	IEC 61000-4-2	Compliant with standards
Electromagnetic Interference (EMI)	FCC Part 15 Class B	Compliant with standards
Laser Eye Safety	FDA 21CFR 1040.10 and 1040.11 EN (IEC) 60825-1,2	Compliant with Class I laser product.
RoHS	2002/95/EC 4.1&4.2 2005/747/EC	Compliant with RoHS

## Absolute Maximum Ratings

**Table 2 - Absolute Maximum Ratings**

Parameter	Symbol	Min.	Typical	Max.	Unit	Notes
Storage Temperature	T <sub>s</sub>	-40	-	+85	°C	
Supply Voltage	V <sub>CC</sub>	-0.5	-	+3.6	V	
Operating Relative Humidity	RH	+5	-	+95	%	

## Recommended Operating Conditions

**Table 3 – Recommended Operating Conditions**

Parameter		Symbol	Min.	Typical	Max.	Unit	Notes
Operating Case Temperature	SP-GB-LX-CDFN	T <sub>c</sub>	-5		+70	°C	
	SP-GB-LX-RDFN		-20		+85		
	SP-GB-LX-IDFN		-40		+85		
Power Supply Voltage		V <sub>CC</sub>	3.13	3.3	3.47	V	
Power Supply Current		I <sub>CC</sub>	-		300	mA	
Power Dissipation		P <sub>D</sub>	-	-	1	W	
Data Rate	Gigabit Ethernet			1.25		Gbps	
	Fibre Channel			1.0625			

## Optical Characteristics

**Table 4 – Optical Characteristics**

Transmitter							
Parameter		Symbol	Min.	Typical	Max.	Unit	Notes
Centre Wavelength		λ <sub>C</sub>	1270	1310	1355	nm	
Average Output Power		P <sub>OUT</sub>	-9.5		-3	dBm	1
P <sub>out</sub> @TX Disable Asserted		P <sub>OUT</sub>			-45	dBm	1
Spectral Width (RMS)		Δλ		2	4	nm	
Extinction Ratio		EX	9			dB	
Rise/Fall Time (20%~80%)		t <sub>r</sub> /t <sub>f</sub>			0.26	ns	2
Total Jitter	1.25G	T <sub>J</sub>			0.431	UI	3
	1.0625G				0.43		
Deterministic Jitter	1.25G	D <sub>J</sub>			0.2	UI	3
	1.0625G				0.21		
Optical Eye Mask		IEEE 802.3ah and ANSI Fibre Channel compliant					4
Receiver							
Centre Wavelength		λ <sub>C</sub>	1260	1310	1580	nm	
Receiver Sensitivity		P <sub>IN</sub>			-20	dBm	5
Receiver Overload		P <sub>IN</sub>	-3			dBm	5
Return Loss			12			dB	
LOS Assert		LOS <sub>A</sub>	-35			dBm	
LOS Deassert		LOS <sub>D</sub>			-21	dBm	
LOS Hysteresis			0.5		4	dB	
Total Jitter	1.25G	T <sub>J</sub>			0.749	UI	3
	1.0625G				0.61		

Deterministic Jitter	1.25G	D <sub>J</sub>		0.462	UI	3
	1.0625G			0.36		

Notes:

1. The optical power is launched into SMF.
2. Unfiltered, measured with a PRBS 2<sup>7</sup>-1 test pattern @1.25Gbps
3. Meet the specified maximum output jitter requirements if the specified maximum input jitter is present.
4. Measured with a PRBS 2<sup>7</sup>-1 test pattern @1.25Gbps/1.0625Gbps.
5. Measured with a PRBS 2<sup>7</sup>-1 test pattern @1.25Gbps, worst-case extinction ratio, BER ≤1×10<sup>-12</sup>.

### Electrical Characteristics

Table 5 – Electrical Characteristics

Transmitter						
Parameter	Symbol	Min.	Typical	Max.	Unit	Notes
Data Input Swing Differential	V <sub>IN</sub>	500		2400	mV	1
Input Differential Impedance	Z <sub>IN</sub>	90	100	110	Ω	
Tx_DIS Disable	V <sub>D</sub>	2.0		V <sub>CC</sub>	V	
Tx_DIS Enable	V <sub>EN</sub>	GND		GND+0.8	V	
TX_ Fault (Fault)		2.0		V <sub>CC</sub> +0.3	V	
TX_ Fault (Normal)		0		0.8	V	
Receiver						
Data Output Swing Differential	V <sub>OUT</sub>	370		2000	mV	1
Rx_LOS Fault	V <sub>LOS-Fault</sub>	2.0		V <sub>CC</sub> +0.3	V	
Rx_LOS Normal	V <sub>LOS-Normal</sub>	GND		GND+0.8	V	

Notes:

1. Internally AC coupled

### Recommended Host Board Power Supply Circuit

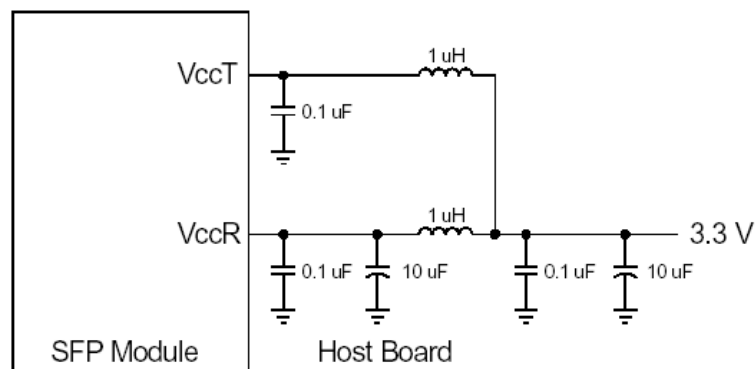


Figure 1, Recommended Host Board Power Supply Circuit

### Recommended Interface Circuit

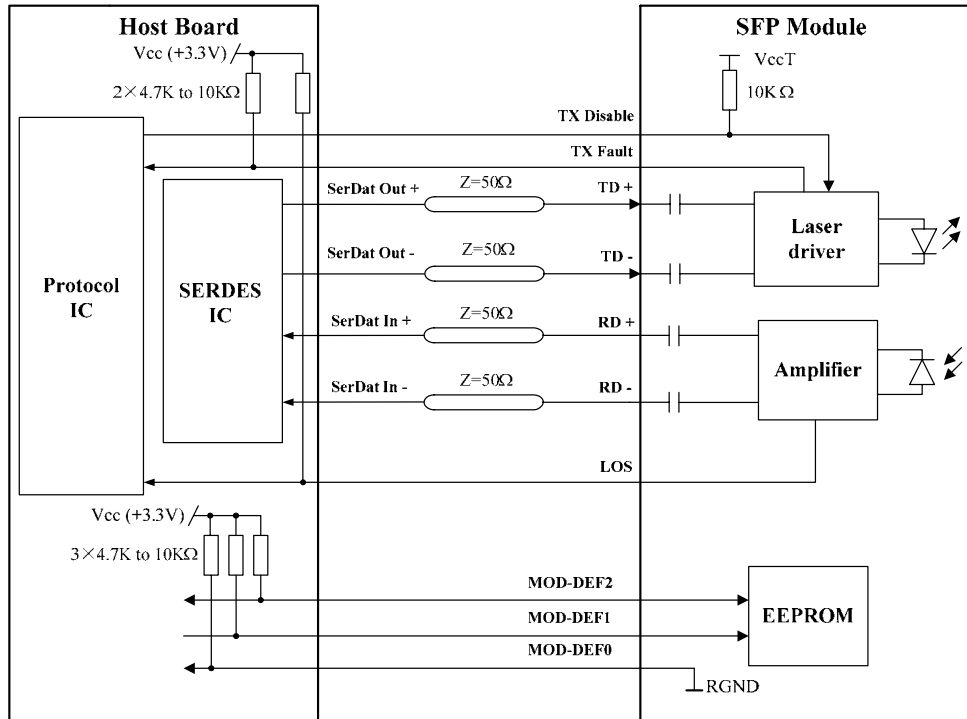


Figure 2, Recommended Interface Circuit

### Pin Definitions

Figure 3 below shows the pin numbering of SFP electrical interface. The pin functions are described in Table 6 with some accompanying notes.

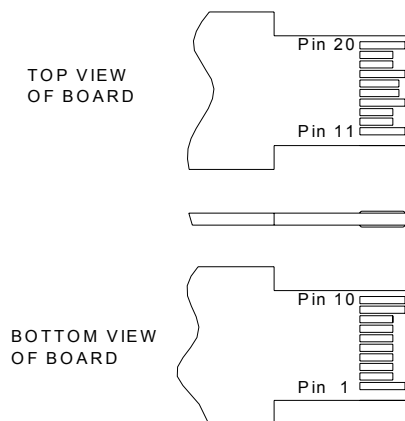


Figure 3, Pin View

**Table 6 - Pin Function Definitions**

Pin No.	Name	Function	Plug Seq.	Notes
1	VeeT	Transmitter Ground	1	
2	TX Fault	Transmitter Fault Indication	3	Note 1
3	TX Disable	Transmitter Disable	3	Note 2
4	MOD-DEF2	Module Definition 2	3	Note 3
5	MOD-DEF1	Module Definition 1	3	Note 3
6	MOD-DEF0	Module Definition 0	3	Note 3
7	Rate Select	Not Connected	3	
8	LOS	Loss of Signal	3	Note 4
9	VeeR	Receiver Ground	1	
10	VeeR	Receiver Ground	1	
11	VeeR	Receiver Ground	1	
12	RD-	Inv. Received Data Out	3	Note 5
13	RD+	Received Data Out	3	Note 5
14	VeeR	Receiver Ground	1	
15	VccR	Receiver Power	2	
16	VccT	Transmitter Power	2	
17	VeeT	Transmitter Ground	1	
18	TD+	Transmit Data In	3	Note 6
19	TD-	Inv. Transmit Data In	3	Note 6
20	VeeT	Transmitter Ground	1	

**Notes:**

- TX Fault is an open collector output, which should be pulled up with a 4.7k~10kΩ resistor on the host board to a voltage between 2.0V and Vcc+0.3V. Logic 0 indicates normal operation; logic 1 indicates a laser fault of some kind. In the low state, the output will be pulled to less than 0.8V.
- TX Disable is an input that is used to shut down the transmitter optical output. It is pulled up within the module with a 4.7k~10kΩ resistor. Its states are:
 

Low (0~0.8V):	Transmitter on
(>0.8V, <2.0V):	Undefined
High (2.0~3.465V):	Transmitter Disabled
Open:	Transmitter Disabled
- MOD-DEF 0,1,2 are the module definition pins. They should be pulled up with a 4.7k~10kΩ resistor on the host board. The pull-up voltage shall be VccT or VccR.  
 MOD-DEF 0 is grounded by the module to indicate that the module is present  
 MOD-DEF 1 is the clock line of two wires serial interface for serial ID  
 MOD-DEF 2 is the data line of two wires serial interface for serial ID
- LOS is an open collector output, which should be pulled up with a 4.7k~10kΩ resistor on the host board to a voltage between 2.0V and Vcc+0.3V. Logic 0 indicates normal operation; logic 1 indicates loss of signal. In the low state, the output will be pulled to less than 0.8V.
- These are the differential receiver output. They are internally AC-coupled 100Ω differential lines which should

be terminated with 100Ω (differential) at the user SERDES.

6. These are the differential transmitter inputs. They are AC-coupled, differential lines with 100Ω differential termination inside the module.

## EEPROM Information

The SFP MSA defines a 256-byte memory map in EEPROM describing the transceiver's capabilities, standard interfaces, manufacturer, and other information, which is accessible over a 2 wire serial interface at the 8-bit address 1010000X (A0h). The memory contents refer to Table 7.

Table 7 - EEPROM Serial ID Memory Contents (A0h)

Addr.	Field Size (Bytes)	Name of Field	Hex	Description
0	1	Identifier	03	SFP
1	1	Ext. Identifier	04	MOD4
2	1	Connector	07	LC
3—10	8	Transceiver	00 00 00 02 12 00 01 01	Transmitter Code
11	1	Encoding	01	8B10B
12	1	BR, nominal	0D	1.25Gbps
13	1	Reserved	00	
14	1	Length (9um)-km	0A	10km
15	1	Length (9um)	64	10km
16	1	Length (50um)	00	
17	1	Length (62.5um)	00	
18	1	Length (copper)	00	
19	1	Reserved	00	
20—35	16	Vendor name	53 4F 55 52 43 45 50 48 4F 54 4F 4E 49 43 53 20	"SOURCEPHOTONICS"(ASC II)
36	1	Reserved	00	
37—39	3	Vendor OUI	00 1F 22	
40—55	16	Vendor PN	53 50 47 42 4C 58 xx 44 46 4E 20 20 20 20 20 20	"SPGBLXCDFN" (ASC II) "SPGBLXRDFN" (ASC II) "SPGBLXIDFN" (ASC II)
56—59	4	Vendor rev	xx xx xx xx	ASC II ( "31 30 20 20" means 1.0 revision)
60-61	2	Wavelength	05 1E	1310nm
62	1	Reserved	00	
63	1	CC BASE	xx	Check sum of bytes 0 - 62
64—65	2	Options	00 1A	LOS, TX_FAULT and TX_DISABLE
66	1	BR, max	00	
67	1	BR, min	00	

68—83	16	Vendor SN	xx xx xx xx xx xx xx xx xx xx xx xx xx xx xx xx	ASC II .
84—91	8	Vendor date code	xx xx xx xx xx xx 20 20	Year (2 bytes), Month (2 bytes), Day (2 bytes)
92	1	Diagnostic type	68	Diagnostics(Int.Cal)
93	1	Enhanced option	B0	Diagnostics(Optional Alarm/warning flags, Soft TX_FAULT and Soft TX_LOS monitoring)
94	1	SFF-8472	02	Diagnostics(SFF-8472 Rev 9.4)
95	1	CC_EXT	xx	Check sum of bytes 64 - 94
96—255	160	Vendor specific		

Note: The “xx” byte should be filled in according to practical case. For more information, please refer to the related document of SFF-8472 Rev 9.5.

### Monitoring Specification

The digital diagnostic monitoring interface also defines another 256-byte memory map in EEPROM, which makes use of the 8 bit address 1010001X (A2h). Please see Figure 4. For detail EEPROM information, please refer to the related document of SFF-8472 Rev 9.5. The monitoring specification of this product is described in Table 8.

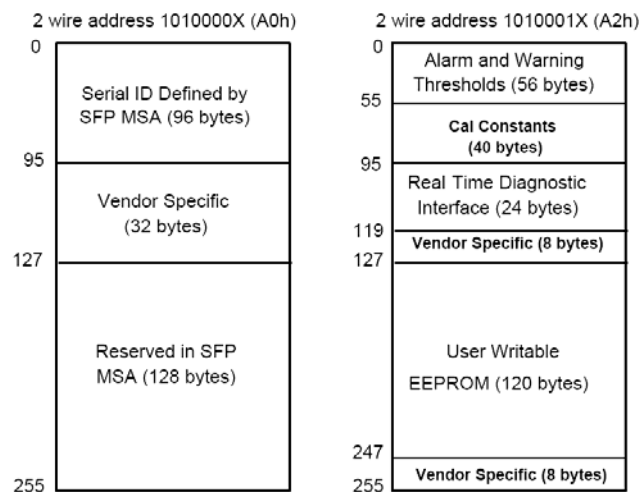


Figure 4, EEPROM Memory Map Specific Data Field Descriptions

Table 8- Monitoring Specification

Parameter		Range	Accuracy	Calibration
Temperature	Commercial	-10 to 80°C	±3°C	Internal
	Extended	-20 to 95°C	±3°C	Internal
	Industrial	-40 to 95°C	±3°C	Internal
Voltage		3.0 to 3.6V	±3%	Internal

Bias Current	0 to 100mA	±10%	Internal
TX Power	-11dBm to -2 dBm	±3dB	Internal
RX Power	-21dBm to -2 dBm	±3dB	Internal

## Mechanical Diagram

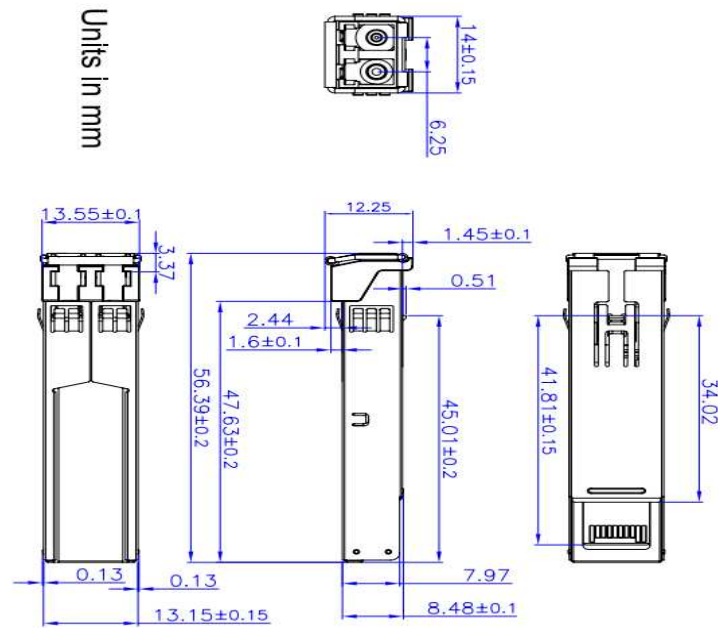


Figure 5, Mechanical Design Diagram of the SFP

## Order Information

Table 9 – Order Information

Part No.	Application	Data Rate	Laser Source	Fiber Type
SP-GB-LX-CDFN (C-temp.)	1000BASE-LX	1.25Gbps	1310nm FP	SMF
SP-GB-LX-RDFN (R-temp.)	1000BASE-LX	1.25Gbps	1310nm FP	SMF
SP-GB-LX-IDFN (I-temp.)	1000BASE-LX	1.25Gbps	1310nm FP	SMF



## Warnings

**Handling Precautions:** This device is susceptible to damage as a result of electrostatic discharge (ESD). A static free environment is highly recommended. Follow guidelines according to proper ESD procedures.

**Laser Safety:** Radiation emitted by laser devices can be dangerous to human eyes. Avoid eye exposure to direct or indirect radiation.

## Legal Notice

### IMPORTANT NOTICE!

All information contained in this document is subject to change without notice, at Source Photonics's sole and absolute discretion. Source Photonics warrants performance of its products to current specifications only in accordance with the company's standard one-year warranty; however, specifications designated as "preliminary" are given to describe components only, and Source Photonics expressly disclaims any and all warranties for said products, including express, implied, and statutory warranties, warranties of merchantability, fitness for a particular purpose, and non-infringement of proprietary rights. Please refer to the company's Terms and Conditions of Sale for further warranty information.

Source Photonics assumes no liability for applications assistance, customer product design, software performance, or infringement of patents, services, or intellectual property described herein. No license, either express or implied, is granted under any patent right, copyright, or intellectual property right, and Source Photonics makes no representations or warranties that the product(s) described herein are free from patent, copyright, or intellectual property rights. Products described in this document are NOT intended for use in implantation or other life support applications where malfunction may result in injury or death to persons. Source Photonics customers using or selling products for use in such applications do so at their own risk and agree to fully defend and indemnify Source Photonics for any damages resulting from such use or sale.

THE INFORMATION CONTAINED IN THIS DOCUMENT IS PROVIDED ON AN "AS IS" BASIS. Customer agrees that Source Photonics is not liable for any actual, consequential, exemplary, or other damages arising directly or indirectly from any use of the information contained in this document. Customer must contact Source Photonics to obtain the latest version of this publication to verify, before placing any order, that the information contained herein is current.

## Contact

### U.S.A. Headquarters

20550 Nordhoff Street  
Chatsworth, CA 91311  
USA

Tel: +1-818-773-9044

Fax: +1-818-773-0261

### China

Building #2&5, West Export Processing Zone  
No. 8 Kexin Road, Hi-Tech Zone  
Chengdu, 611731, China

Tel: +86-28-8795-8788

Fax: +86-28-8795-8789

### Taiwan

9F, No 81, Shui Lee Rd.  
Hsinchu, Taiwan, R.O.C.

Tel: +886-3-5169222

Fax: +886-3-5169213

© Copyright Source Photonics, Inc. 2007~2012

All rights reserved