

## Features



- Support 10GBASE-ER/EW application
- Up to 40km transmission on SMF
- 1550nm EML laser and PIN receiver
- SFI high speed electrical interface
- 2-wire interface with integrated Digital Diagnostic monitoring
- SFP+ MSA package with duplex LC connector
- Single +3.3V power supply
- Power consumption less than 1.5W
- Operating case temperature: -40~+85°C

## Regulatory Compliance

**Table 1 - Regulatory Compliance**

Feature	Standard	Performance
Electrostatic Discharge (ESD) to the Electrical Pins	MIL-STD-883E Method 3015.7	Class 1(>1000V for SFI pins, >2000V for other pins.)
Electrostatic Discharge (ESD) to the Duplex LC Receptacle	IEC 61000-4-2 GR-1089-CORE	Compatible with standards
Electromagnetic Interference (EMI)	FCC Part 15 Class B EN55022 Class B (CISPR 22B) VCCI Class B	Compatible with standards
Immunity	IEC 61000-4-3	Compatible with standards
Laser Eye Safety	FDA 21CFR 1040.10 EN60950, EN (IEC) 60825-1,2	Compatible with Class I laser product.
RoHS	2002/95/EC 4.1&4.2 2005/747/EC	Compliant with standards <sup>note</sup>

### Note:

In light of item 5 in Annex of 2002/95/EC, "Pb in the glass of cathode ray tubes, electronic components and fluorescent tubes." and item 13 in Annex of 2005/747/EC, "Lead and cadmium in optical and filter glass.", the two exemptions are being concerned for Source Photonics transceivers, because Source Photonics transceivers use glass, which may contain Pb, for components such as lenses, windows, isolators, and other electronic components.

## Absolute Maximum Ratings

**Table 2 - Absolute Maximum Ratings**

Parameter	Symbol	Min.	Typical	Max.	Unit	Notes
Storage Temperature	$T_S$	-40	-	+85	°C	
Supply Voltage	$V_{CC}$	-0.5	-	+4.0	V	
Operating Relative Humidity	RH	-	-	+85	%	

## Recommended Operating Conditions

**Table 3 – Recommended Operating Conditions**

Parameter	Symbol	Min.	Typical	Max.	Unit	Notes
Operating Case Temperature	$T_C$	-40	-	+85	°C	
Power Supply Voltage	$V_{CC}$	3.14	3.3	3.47	V	
Power Supply Current	$I_{CC}$	-	-	430	mA	
Power Dissipation	$P_D$	-	-	1.5	W	
Bit Rate	BR	9.953	10.3125	-	Gbps	
Transmission Distance	TD	2	-	40,000	m	1

Note 1: Measured with SMF.

## Optical Characteristics

**Table 4 – Optical Characteristics**

Transmitter						
Parameter	Symbol	Min.	Typical	Max.	Unit	Notes
Center Wavelength Range	$\lambda_C$	1530	-	1565	nm	
Average Output Power	$P_{OUT}$	-4.7	-	4.0	dBm	1
Average Output Power (Laser Off)	$P_{OUT-OFF}$	-	-	-30	dBm	1
Extinction Ratio	ER	3	-	-	dB	2
Side Mode Suppression Ratio	SMSR	30	-	-	dB	
Optical Return Loss Tolerance	ORLT	-	-	21	dB	
Optical Eye Mask	Compatible with IEEE 802.3-2008					2
Receiver						
Center Wavelength Range	$\lambda_C$	1530	-	1565	nm	
Receiver Sensitivity	$P_{IN-SENS}$	-	-	-15.8	dBm	3
Receiver Overload	$P_{IN-OL}$	-1	-	-	dBm	3
Receiver Reflectance	Ref	-	-	-26	dB	
LOS Assert	$LOS_A$	-25	-		dBm	

LOS De-assert	LOS <sub>D</sub>	-	-	-17	dBm	
LOS Hysteresis	LOS <sub>H</sub>	0.5	-	4	dB	

Notes:

1. The optical power is launched into SMF.
2. Measured with a PRBS  $2^{31}-1$  test pattern @10.3125Gbps.
3. Measured with a PRBS  $2^{31}-1$  test pattern @10.3125Gbps, BER $\leq 10^{-12}$ .

## Electrical Characteristics

**Table 5 – Electrical Characteristics**

Transmitter							
Parameter	Symbol	Min.	Typical	Max.	Unit	Notes	
Differential Data Input Amplitude	V <sub>IN,P-P</sub>	190	-	700	mVpp		
Input Differential Impedance	Z <sub>IN</sub>	85	100	115	Ω		
Tx_Fault	Normal Operation	V <sub>OL</sub>	-0.3	-	0.4	V	
	Transmitter Fault	V <sub>OH</sub>	2.4	-	V <sub>CC</sub>	V	
Tx_Disable	Normal Operation	V <sub>IL</sub>	-0.3	-	0.8	V	
	Laser Disable	V <sub>IH</sub>	2.0	-	V <sub>CC</sub> +0.3	V	
Receiver							
Differential Data Output Amplitude	V <sub>OUT,P-P</sub>	300	-	850	mVpp		
Output Differential Impedance	Z <sub>O</sub>	80	100	120	Ω		
Rx_LOS	Normal Operation	V <sub>OL</sub>	-0.3	-	0.4	V	
	Lose Signal	V <sub>OH</sub>	2.4	-	V <sub>CC</sub>	V	

## Recommended Host Board Power Supply Circuit

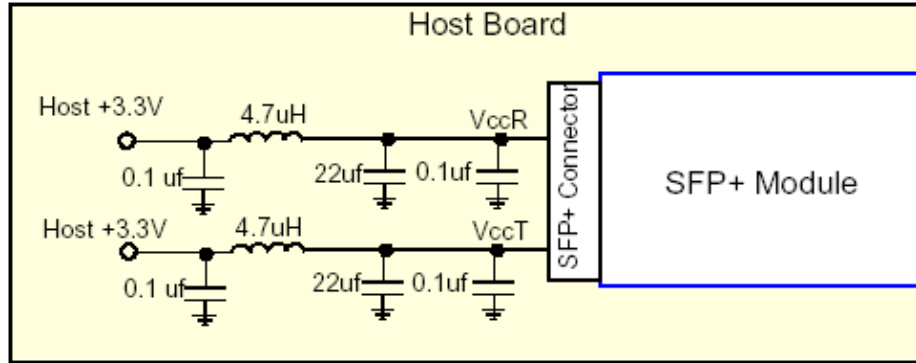


Figure 1, Recommended Host Board Power Supply Circuit

## Recommended Interface Circuit

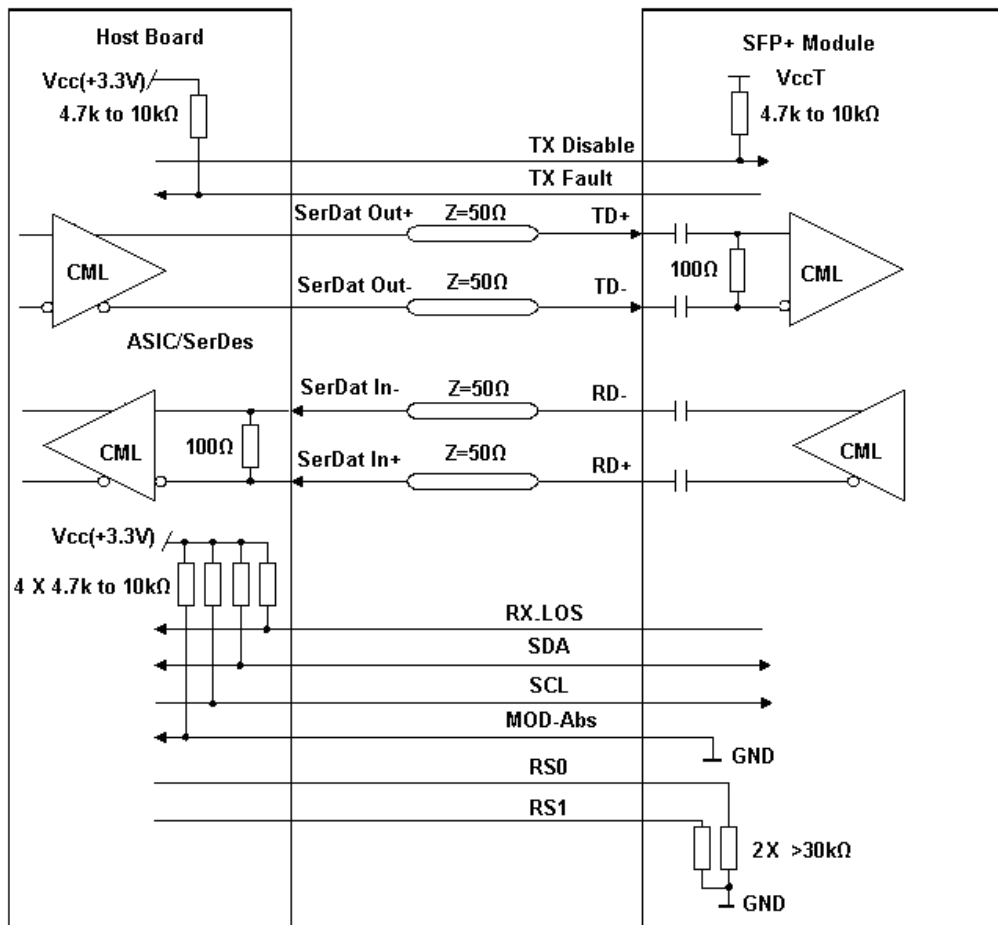


Figure 2, Recommended Interface Circuit

## Pin Definitions

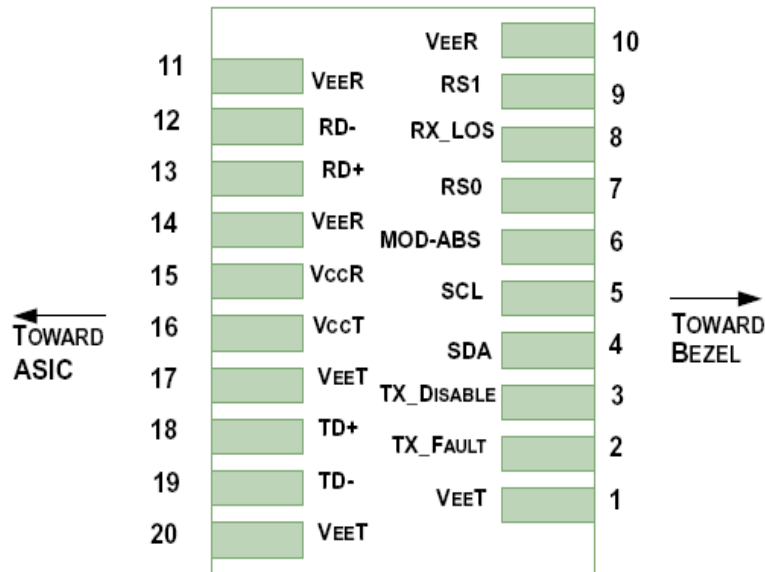


Figure 3, Pin View

Table 6–Pin Function Definitions

Pin	Logic	Symbol	Name/Description	Note
1		$V_{EE T}$	Module Transmitter Ground	1
2	LVTTL-O	$TX\_FAULT$	Module Transmitter Fault	2
3	LVTTL-I	$TX\_DISABLE$	Transmitter Disable; Turns off transmitter laser output	3
4	LVTTL-I/O	SDL	2-Wire Serial Interface Data Line (MOD-DEF2)	
5	LVTTL-I/O	SCL	2-Wire Serial Interface Clock (MOD-DEF1)	
6		MOD_ABS	Module Absent, connected to $V_{EE T}$ or $V_{EE R}$ in the module	2
7	LVTTL-I	RS0	Rate Select 0, NOT implement	4
8	LVTTL-O	RX_LOS	Receiver Loss of Signal Indication (in FC designated as RX_LOS, in SONET designated as LOS, and in Ethernet designated as NOT Signal Detect)	2
9	LVTTL-I	RS1	Rate Select 1, NOT implement	4
10		$V_{EE R}$	Module Receiver Ground	1
11		$V_{EE R}$	Module Receiver Ground	1
12	CML-O	RD-	Receiver Inverted Data Output	
13	CML-O	RD+	Receiver Non-Inverted Data Output	
14		$V_{EE R}$	Module Receiver Ground	1
15		$V_{CC R}$	Module Receiver 3.3 V Supply	
16		$V_{CC T}$	Module Transmitter 3.3 V Supply	
17		$V_{EE T}$	Module Transmitter Ground	1
18	CML-I	TD+	Transmitter Non-Inverted Data Input	
19	CML-I	TD-	Transmitter Inverted Data Input	
20		$V_{EE T}$	Module Transmitter Ground	1

**Notes:**

1. The module ground pins are isolated from the module case.
2. The pins shall be pulled up with 4.7K-10Kohms to a voltage between 3.14V and 3.47V on host board.
3. The pin is pulled up to  $V_{CC}T$  with a 4.7K-10K $\Omega$  resistor in the module.
4. The pins are pulled low to  $V_{EE}T$  with a >30k $\Omega$  resistor in the module.

**Mechanical Diagram**

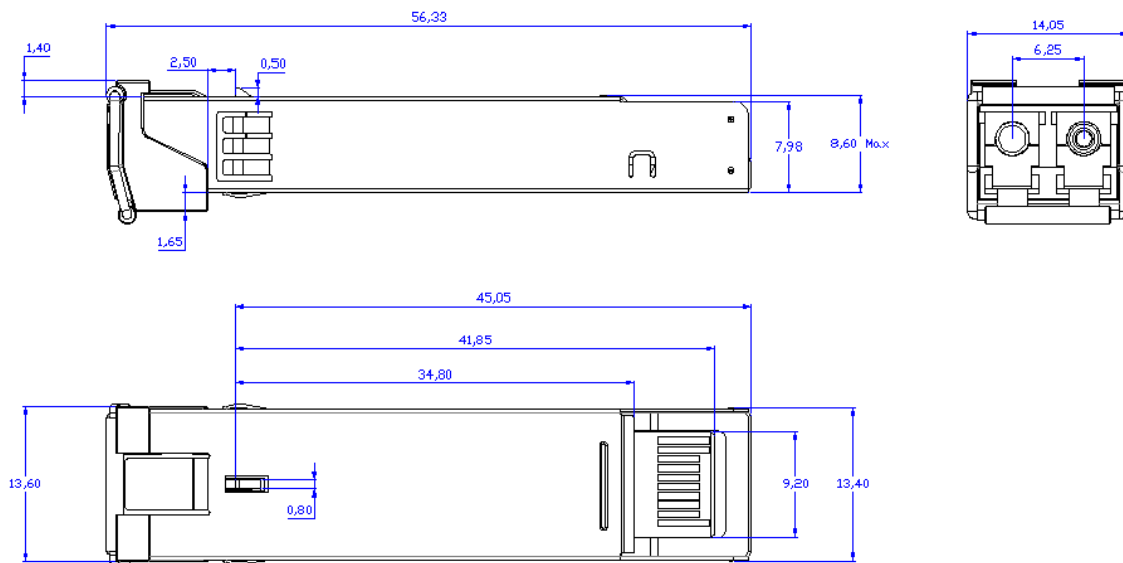


Figure 4, Mechanical Diagram of SFP+

**Order Information**

Table 7 – Order Information

Part No.	Application	Data Rate	Laser Source	Fiber Type	Latch Color
SPP-10E-ER-IDFC	10GBASE-ER/EW	9.953~10.3125G	1550nm EML	SMF	Red

## Warnings

**Handling Precautions:** This device is susceptible to damage as a result of electrostatic discharge (ESD). A static free environment is highly recommended. Follow guidelines according to proper ESD procedures.

**Laser Safety:** Radiation emitted by laser devices can be dangerous to human eyes. Avoid eye exposure to direct or indirect radiation.

## Legal Notice

### IMPORTANT NOTICE!

All information contained in this document is subject to change without notice, at Source Photonics's sole and absolute discretion. Source Photonics warrants performance of its products to current specifications only in accordance with the company's standard one-year warranty; however, specifications designated as "preliminary" are given to describe components only, and Source Photonics expressly disclaims any and all warranties for said products, including express, implied, and statutory warranties, warranties of merchantability, fitness for a particular purpose, and non-infringement of proprietary rights. Please refer to the company's Terms and Conditions of Sale for further warranty information.

Source Photonics assumes no liability for applications assistance, customer product design, software performance, or infringement of patents, services, or intellectual property described herein. No license, either express or implied, is granted under any patent right, copyright, or intellectual property right, and Source Photonics makes no representations or warranties that the product(s) described herein are free from patent, copyright, or intellectual property rights. Products described in this document are NOT intended for use in implantation or other life support applications where malfunction may result in injury or death to persons. Source Photonics customers using or selling products for use in such applications do so at their own risk and agree to fully defend and indemnify Source Photonics for any damages resulting from such use or sale.

THE INFORMATION CONTAINED IN THIS DOCUMENT IS PROVIDED ON AN "AS IS" BASIS. Customer agrees that Source Photonics is not liable for any actual, consequential, exemplary, or other damages arising directly or indirectly from any use of the information contained in this document. Customer must contact Source Photonics to obtain the latest version of this publication to verify, before placing any order, that the information contained herein is current.

## Contact

### U.S.A. Headquarters

20550 Nordhoff Street  
Chatsworth, CA 91311  
USA

Tel: +1-818-773-9044

Fax: +1-818-773-0261

### China

Building #2&5, West Export Processing Zone  
No. 8 Kexin Road, Hi-Tech Zone  
Chengdu, 611731, China

Tel: +86-28-8795-8788

Fax: +86-28-8795-8789

### Taiwan

9F, No 81, Shui Lee Rd.  
Hsinchu, Taiwan, R.O.C.

Tel: +886-3-5169222

Fax: +886-3-5169213

© Copyright Source Photonics, Inc. 2007~2012

All rights reserved