



Features

- Class C+ GPON OLT transceiver
- Small Form Factor Pluggable, Simple SC Connector
- 2488 Mbps downstream Tx/1244 Mbps upstream Rx
- Fully ITU-T G.984.2 compliant
- High Power 1490nm DFB transmitter (+3 dBm)
- High Sensitivity Burst Mode 1310 nm APD receiver (-30 dBm)
- Fast Burst Mode Digital acquire RSSI (300nS sampling time)
- -20 to 85°C case temperature operation
- Single 3.3V supply
- 20 km reach
- RoHS-6 compliant (lead exemption)

General Parameters

Table 1 – General Operating Parameters

Parameter	Minimum	Typical	Maximum	Unit/Conditions
Operating Voltage, Vcc	3.135	3.3	3.465	V
Total Current, Icc	-	-	550	mA
Operating Temperature (case)	-20	-	85	°C
Storage Temperature	-40	-	85	°C

Table 2 – General Optical Parameters

Parameter	Minimum	Typical	Maximum	Unit/Conditions
Back Reflection at 1490 nm	-	-	-20	dB
Back Reflection at 1310 nm	-	-	-20	dB
1490 nm to 1310 nm Crosstalk	-	-	-45	dB

Functional Characteristics

The following tables list the performance specifications for the various functional blocks of the integrated optical transceiver module.

Table 3 – Transmitter Specifications (Optical)

Parameter	Minimum	Typical	Maximum	Unit	Notes
Average Optical Output Power, P_0	3	-	7.0	dBm	
Output Power at Transmit Off	-	-	-40	dBm	
Extinction Ratio ^b	8.2	-	-	dB	PRBS 2 ²³ -1, NRZ, 50% duty cycle
Transmitter Output Eye	G.984.2 Figure 2				
Optical Rise and Fall Time	-	-	160	ps	20% to 80%
Center Wavelength, λ	1480	1490	1500	nm	
-20 dB Spectral Width	-	-	1	nm	
Side Mode Suppression Ratio (SMSR)	30	-	-	dB	
Bit Rate	-	2488	-	Mbps	
Tolerance to TX Back Reflection	-15	-	-	dB	1 dB degradation of Rx sensitivity
Optical Path Penalty	-	-	1.5	dB	Over 60km fiber with dispersion value of 900ps/nm.

Table 4 – Transmitter Specifications (Electrical)

Parameter	Minimum	Typical	Maximum	Unit	Notes
Input Differential Impedance	80	100	120	Ω	
Single Ended Data Input Swing	200	-	2400	mV	
Tx Disable (LVTTTL)	2	-	V _{cc}	V	
Tx Enable (LVTTTL)	0	-	0.8	V	
TX_Fail_High	2.4	-	V _{cc}	V	
TX_Fail_Normal	0	-	0.4	V	

Table 5 – Receiver Specifications (Optical)

Parameter	Minimum	Typical	Maximum	Unit	Notes
Operational Wavelength Range	1260	1310	1360	nm	
Data Rate (burst mode)	-	1244	-	Mbps	
Receiver Burst-Mode Sensitivity	-30	-	-	dBm	At 10 ⁻¹⁰ BER, PRBS 2 ²³ -1
Receiver Overload	-12	-	-	dBm	
Receiver Burst Mode Dynamic Range	15	20	-	dB	
Damage Threshold for Receiver	+5	-	-	dBm	
Maximum Reflectance of Receiver	-	-	-20	dB	

Table 6 – Receiver Specifications (Electrical)

Parameter	Minimum	Typical	Maximum	Unit	Notes
Differential Output Signal Amplitude	400	-	1600	mVpp	
Data Output Rise Time	-	-	260	ps	20% to 80%
Data Output Fall Time	-	-	260	ps	20% to 80%
Signal Detect Output HIGH	2.4	-	Vcc	V	
Signal Detect Output LOW	0	-	0.8	V	

Table 7 – Digital RSSI Timing Specification

Parameter	Minimum	Typical	Maximum	Unit	Notes
RSSI Trigger Delay ^a	25	-	-	ns	
RSSI Sampling Time ^a	300	-	-	ns	
Internal I ² C Delay ^a	-	-	500	us	
Receiver Power DDM (RSSI) Error ^b	-	-	+/- 3	dB	

- a) RSSI_ACQ input signal rising edge will trigger RSSI sampling, and falling edge will trigger internal digital RSSI information written to I2C. It is recommended that host shall not trigger RSSI_ACQ input again until RSSI data is valid in I2C from previous RSSI trigger.
- b) RSSI DDM working range is between -12 to -32 dBm. RSSI DDM accuracy is better than +/- 3dB for input power levels between -15 to -32 dBm, the accuracy reduces to +/- 5 dBm for -12 dBm to -15 dBm. If the data pattern is at least 2¹⁷-1 or longer, a minimum average of 8 times is strongly recommended to maintain the RSSI reading accuracy.

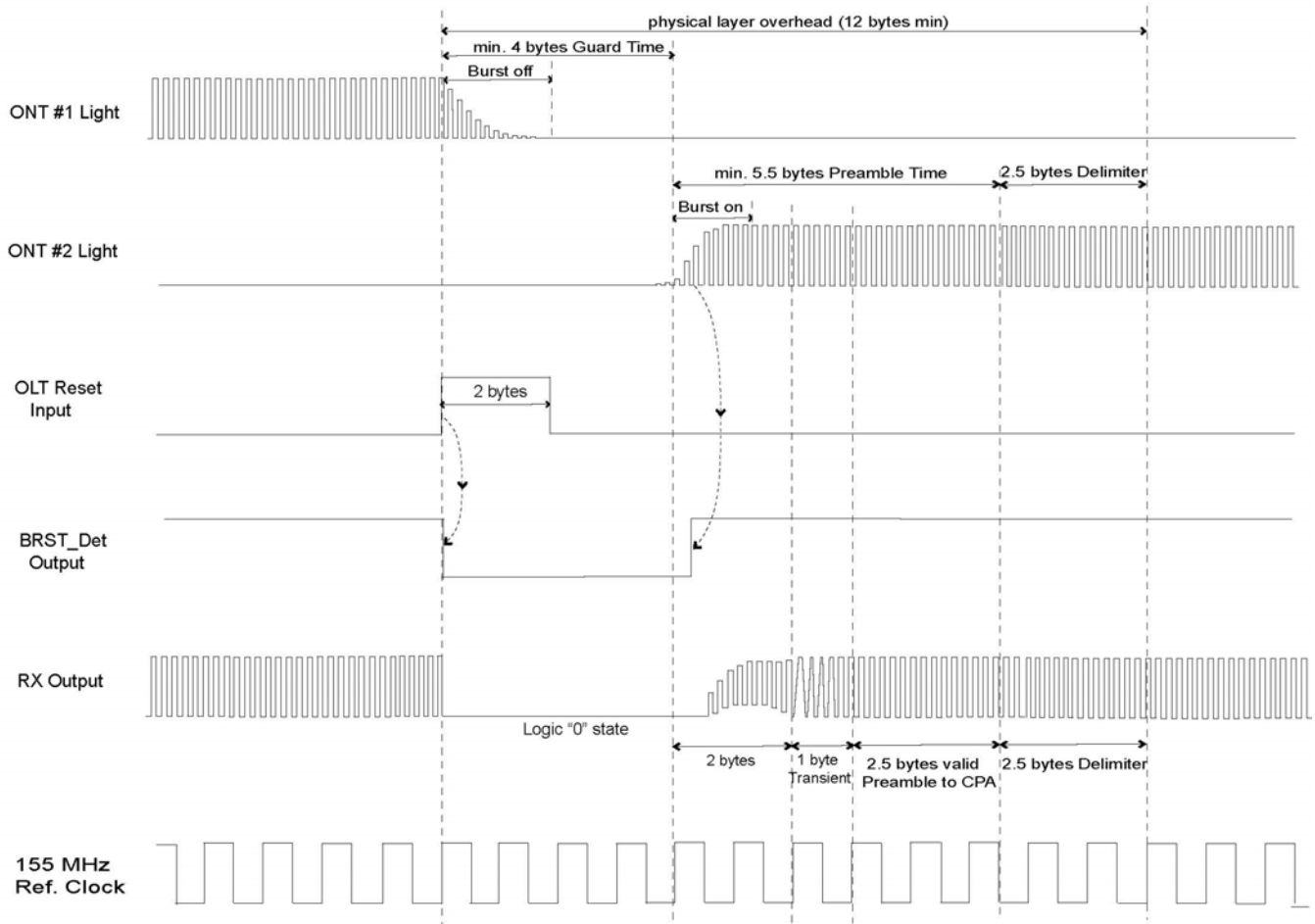
Pin Definitions

Refer to Table for a description of the function of each I/O pin.

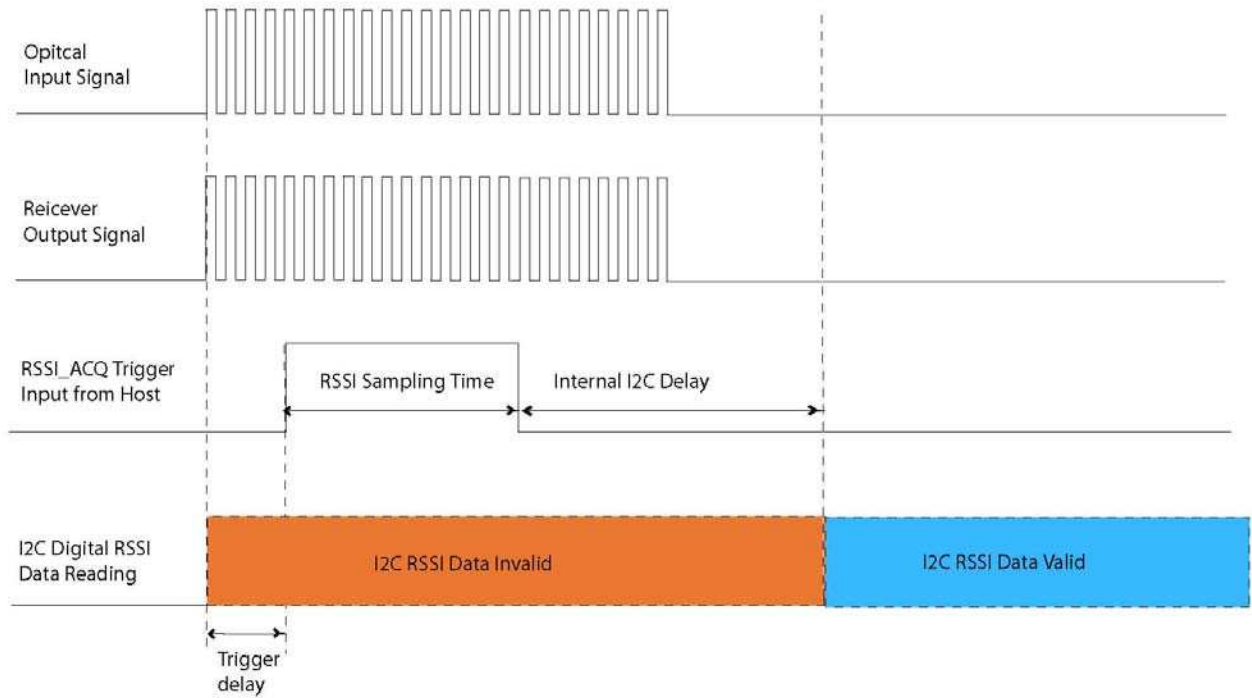
Table 8 - Module Pin Definitions

Pin Number	Label	Definition
1	Veet	Tx Ground
2	Tx_Fail (Tx_Fault)	Tx Fail Alarm. LVTTTL Output Active High
3	Tx_DIS	Tx Disable. LVTTTL input. Laser output is disabled when this pin is asserted high or left unconnected. Laser output is enabled when this pin is asserted low.
4	MOD_DEF (2)	2-Wire Serial Data I/O Pin.
5	MOD_DEF (1)	2-Wire Serial Clock Input.
6	MOD_DEF (0)	Internally Grounded
7	Reset	CMOS input. Assert "Reset" high at the end of previous burst, 2 bytes in duration
8	BRST_Det	LVTTTL output. BRST_Det assert low when module receives "reset" signal, assert high when incoming burst is present.
9	RSSI_ACQ	RSSI acquire/hold LVTTTL Input. Digital RSSI output through I2C
10	Veer	Rx Ground
11	Veer	Rx Ground
12	RXD-	Negative Data Output, LVPECL; DC coupled
13	RXD+	Positive Data Output, LVPECL; DC coupled
14	Veer	Rx Ground
15	Vcc_Rx	Rx Vcc
16	Vcc_Tx	Tx Vcc
17	Veet	Tx Ground
18	TXD+	Positive Data Input, LVPECL or CML (AC coupled; internally 100 ohms differential termination)
19	TXD-	Negative Data Input, LVPECL or CML (AC coupled; internally 100 ohms differential termination)
20	Veet	Tx Ground

Timing Diagram



Digital RSSI Acquire/Hold Timing Specification



EEPROM Memory Map

Table 9 - I2C A0h Address

DEC Addr.	HEX Addr.	Field Size (bytes)	Name	Default Value	Description
0	00	1	Identifier	03h	Module soldered to motherboard
1	01	1	Extended Identifier	04h	Function defined by serial ID
2	02	1	Connector	01h	SC Receptacle
3	03	8	Transceiver	00 00 00 00 00 00 00 00h	Transceiver Code Field, not applicable
11	0B	1	Encoding	03h	NRZ encoding
12	0C	1	Nominal Bit Rate in 100 MBps	19h	2488.32 Mbps
13	0D	1	Reserved	00h	Reserved
14	0E	1	Length (9 μ ,km) in km	14h	20km
15	0F	1	Length (9 μ ,m) in 100m	C8h	20km
16	10	1	Length (50 μ) in 10m	00h	Not Supported
17	11	1	Length (62.5 μ) in 10m	00h	Not Supported
18	12	1	Length (Copper) in m	00h	Not Supported
19	13	1	Reserved	00h	Reserved
20	14	16	Vendor Name (ASCII)	"SOURCEPHOTONS"	Vendor Name (ASCII)
36	24	1	Reserved	00h	Reserved
37	25	3	Vender IEEE Company ID	00 06 B5h	Source Photonics IEEE ID
40	28	16	Vendor Part Number (ASCII)	"SPS4348HCPRDF"	Vendor Part Number (ASCII)
56	38	4	Vendor Rev (ASCII)	31 20 20 20	Revision 01
60	3C	2	Laser Wavelength in nm	05 D2h	1490nm Tx Wavelength
62	3E	1	Reserved	00h	Reserved
63	3F	1	Check Code for Base ID Fields	xxh	Checksum from byte 0-62
64	40	2	Options	00 1Ch	TX_DIS, TX_Fault, SD
66	42	1	Upper Bit Rate Margin in %	00h	BR, Max not specified
67	43	1	Lower Bit Rate Margin in %	00h	BR, Min not specified

68	44	16	Vendor Serial Number (ASCII)	"xxxxxxxxxxxxxxxxxx"	16 byte Serial number field (ASCII)
84	54	8	Date Code	xx xx xx xx xx xx 20 20h	Year(2 bytes) month(2 bytes) day(2 bytes)
92	5C	1	Diagnostic Monitoring Type	58h	Ext Calibration, Average Power Measurement
93	5D	1	Enhanced Options	E0h	Optical Alarm/warning implemented Soft TX_DIS, TX_FAULT implemented
94	5E	1	SFF-8472 Compliance	02h	Compliance to SFF-8472 Rev 9.4
95	5F	1	Check Code for Extended ID Fields	xxh	Checksum from byte 64-69
96	60	26	Vendor Specific	"SPS-43-48H-CP-RDF"	SP Part Number
126	7E	2	Vendor Specific	00 00h	Reserved
128	80	128	Reserved	00....00h	Reserved; return to 0

Note: The "xx" byte should be filled in according to practical case. For more information, please refer to the related document of SFF-8472 Rev 9.5.

Table 10 - I2C A2h Address

DEC Addr.	HEX Addr.	Field Size (bytes)	Name	Default Value	Description
0	00	2	Temp High Alarm	5C 00h	92C
2	02	2	Temp Low Alarm	E2 00h	-30C
4	04	2	Temp High Warning	57 00h	87C
6	06	2	Temp Low Warning	E7 00h	-25C
8	08	2	Voltage High Alarm	8C A0h	3.6V
10	0A	2	Voltage Low Alarm	75 30h	3.0V
12	0C	2	Voltage High Warning	88 B8h	3.5V
14	0E	2	Voltage Low Warning	79 18h	3.1V
16	10	2	Bias High Alarm	D6 D8h	110mA
18	12	2	Bias Low Alarm	03 E8h	2mA
20	14	2	Bias High Warning	C3 50h	100mA
22	16	2	Bias Low Warning	05 DCh	3mA
24	18	2	TX Power High Alarm	DB AAh	+7.5 dBm
26	1A	2	TX Power Low Alarm	45 76h	+2.5dBm
28	1C	2	TX Power High Warning	C3 C6h	+7.0dBm
30	1E	2	TX Power Low Warning	4D F0h	+3.0dBm
32	20	2	RX Power High Alarm	FF FFh	No alarm

34	22	2	RX Power Low Alarm	00 00h	No alarm
36	24	2	RX Power High Warning	FF FFh	No alarm
38	26	2	RX Power Low Warning	00 00h	No alarm
40	28	16	Reserved	00....000h	Reserved
56	38	4	RX_PWR(4) Calibration	00 00 00 00h	4 th order RSSI calibration coefficient
60	3C	4	RX_PWR(3) Calibration	00 00 00 00h	3 rd order RSSI calibration coefficient
64	40	4	RX_PWR(2) Calibration	00 00 00 00h	2nd order RSSI calibration coefficient
68	44	4	RX_PWR(1) Calibration	3E 80 00 00h	1 st order RSSI calibration coefficient
72	48	4	RX_PWR(0) Calibration	00 00 00 00h	0 th order RSSI calibration coefficient
76	4C	2	TX_I(Slope) Calibration	01 00h	Slope for Bias calibration
78	4E	2	TX_I(Offset) Calibration	00 00h	Offset for Bias calibration
80	50	2	TX_PWR(Slope) Calibration	01 00h	Slope for TX Power calibration
82	52	2	TX_PWR(Offset) Calibration	00 00h	Offset for TX Power calibration
84	54	2	T(Slope) Calibration	01 00h	Slope for Temperature calibration
86	56	2	T(Offset) Calibration	00 00h	Offset for Temperature calibration, in units of 256ths C
88	58	2	V(Slope) Calibration	01 00h	Slope for VCC calibration
90	5A	2	V(Offset) Calibration	00 00h	Offset for VCC calibration
92	5C	3	Reserved	00 00 00h	reserved
95	5F	1	Checksum	xxh	Checksum
96	60	2	Transceiver Temperature	xx xxh	Temperature in C/256
98	62	2	Supply Voltage	xx xxh	Vcc
100	64	2	TX Bias Current	xx xxh	BIASMON
102	66	2	TX Optical Output Power	xx xxh	Back facet monitor
104	68	2	RX Optical Input Power	xx xxh	RSSI
106	6A	2	Reserved	0000h	Reserved
108	6C	2	Reserved	0000h	Reserved
110	6E.7	1bit	TX_DIS State	x	Digital state of the TX Disable Input Pin.
	6E.6	1bit	Soft TX Disable	x	Read/write bit that allows software disable of laser.
	6E.5	1bit	Reserved.	0	Reserved.
	6E.4	1bit	Rate Select State	0	NOT SUPPORTED.
	6E.3	1bit	Rate Select	0	NOT SUPPORTED.
	6E.2	1bit	TX_FAULT	x	Digital state of the TX Fault Output Pin.
	6E.1	1bit	LOS	0	Digital state of the LOS Output Pin.

					NOT SUPPORTED
	6E.0	1bit	Data_ready_bar	x	Indicates transceiver has achieved power up and data is ready.
111	6F.7	1bit	Reserved	0	Reserved
	6F.6	1bit	Reserved	0	Reserved
	6F.5	1bit	Reserved	0	Reserved
	6F.4	1bit	Reserved	0	Reserved
	6F.3	1bit	Reserved	0	Reserved
	6F.2	1bit	INTERRUPT_NOT	x	Interrupt state (active low)
	6F.1	1bit	MODE_EN	0	TX FAULT pin enable
	6F.0	1bit	APD_SHUTDOWN	x	APD shut-down latch. Write 0 to clear condition
112	70.7	1bit	Temperature too high alarm	x	Temperature too high alarm
	70.6	1bit	Temperature too low alarm	x	Temperature too low alarm
	70.5	1bit	VCC too high alarm	x	VCC too high alarm
	70.4	1bit	VCC too low alarm	x	VCC too low alarm
	70.3	1bit	BIASMON too high alarm	x	BIASMON too high alarm
	70.2	1bit	BIASMON too low alarm	x	BIASMON too low alarm
	70.1	1bit	BFMON too high alarm	x	BFMON too high alarm
	70	1bit	BFMON too low alarm	x	BFMON too low alarm
113	71.7	1bit	RSSI too high alarm	x	RSSI too high alarm
	71.6	1bit	RSSI too low alarm	x	RSSI too low alarm
	71.5	1bit	Reserved interrupt status bit	x	Reserved interrupt status bit
	71.4	1bit	Reserved interrupt status bit	x	Reserved interrupt status bit
	71.3	1bit	Reserved interrupt status bit	x	Reserved interrupt status bit
	71.2	1bit	Reserved interrupt status bit	x	Reserved interrupt status bit
	71.1	1bit	Reserved interrupt status bit	x	TX Fail went HIGH
	71	1bit	Reserved interrupt status bit	x	APD Shutdown event detected
114	72	1	Reserved	00h	Interrupt Mask for ISRC0
115	73	1	Reserved	00h	Interrupt Mask for ISRC1

116	74.7	1bit	Temperature too high warning	x	Temperature too high warning
	74.6	1bit	Temperature too low warning	x	Temperature too low warning
	74.5	1bit	VCC too high warning	x	VCC too high warning
	74.4	1bit	VCC too low warning	x	VCC too low warning
	74.3	1bit	BIASMON too high warning	x	BIASMON too high warning
	74.2	1bit	BIASMON too low warning	x	BIASMON too low warning
	74.1	1bit	BFMON too high warning	x	BFMON too high warning
	74	1bit	BFMON too low warning	x	BFMON too low warning
117	75.7	1bit	RX Power High Warning	x	RSSI too high warning
	75.6	1bit	RX Power Low Warning	x	RSSI too low warning
	75.5	1bit	Reserved	0	Reserved
	75.4	1bit	Reserved	0	Reserved
	75.3	1bit	Reserved	0	Reserved
	75.2	1bit	Reserved	0	Reserved
	75.1	1bit	Reserved	0	Reserved
	75	1bit	Reserved	0	Reserved
118	76	1	Reserved	00h	Interrupt Mask for ISRC2
119	77	1	Reserved	00h	Interrupt Mask for ISRC3
120	78	8	Vendor Specific	00 00 00 00 00 00 00 00h	Vendor Specific

Outline Drawing

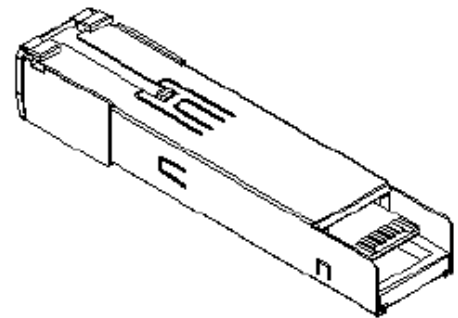
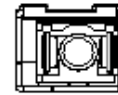
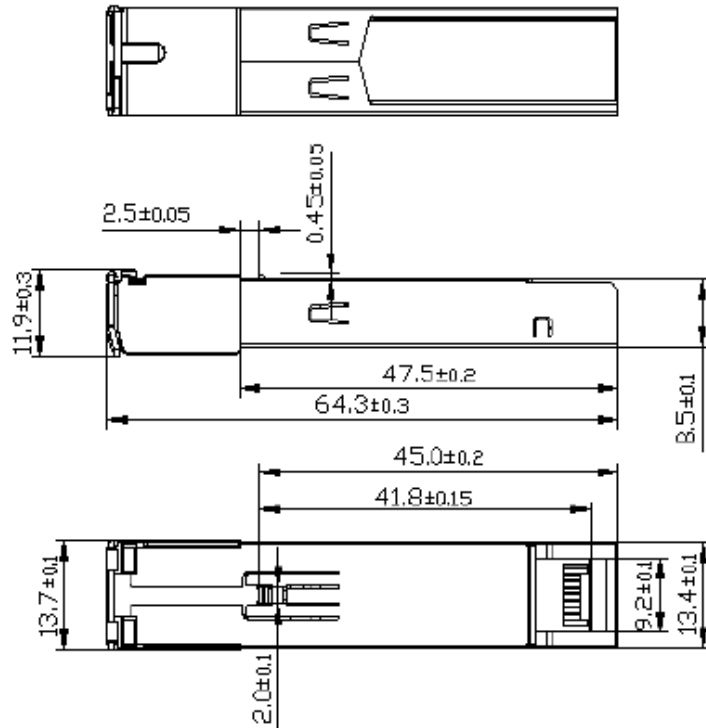


Table 11 - Device Handling/ESD Protection

The devices are static sensitive and may easily be damaged if care is not taken during handling. The following handling practices are recommended.

1	Devices should be handled on benches with conductive and grounding surfaces.
2	All personnel, test equipment and tools shall be grounded.
3	Do not handle the devices by their leads.
4	Store devices in protective foam or carriers.
5	Avoid the use of non-conductive plastics, rubber, or silk in the area where the devices are handled
6	All modules shall be packaged in materials that are anti-static to protect against adverse electrical environments.
7	Avoid applications of any voltage higher than maximum rated voltages to this part. For proper operation, any VIN or VOUT should be constrained to the range $GND \leq (VIN \text{ or } VOUT) \leq VCC$. Unused inputs must always be tied to an appropriate logic voltage (e.g. either GND or VCC). Unused outputs must be left open.

Warnings

Handling Precautions: This device is susceptible to damage as a result of electrostatic discharge (ESD). A static free environment is highly recommended. Follow guidelines according to proper ESD procedures.

Laser Safety: Radiation emitted by laser devices can be dangerous to human eyes. Avoid eye exposure to direct or indirect radiation.

Legal Notice

IMPORTANT NOTICE!

All information contained in this document is subject to change without notice, at Source Photonics' sole and absolute discretion. Source Photonics warrants performance of its products to current specifications only in accordance with the company's standard one-year warranty; however, specifications designated as "preliminary" are given to describe components only, and Source Photonics expressly disclaims any and all warranties for said products, including express, implied, and statutory warranties, warranties of merchantability, fitness for a particular purpose, and non-infringement of proprietary rights. Please refer to the company's Terms and Conditions of Sale for further warranty information.

Source Photonics assumes no liability for applications assistance, customer product design, software performance, or infringement of patents, services, or intellectual property described herein. No license, either express or implied, is granted under any patent right, copyright, or intellectual property right, and Source Photonics makes no representations or warranties that the product(s) described herein are free from patent, copyright, or intellectual property rights. Products described in this document are NOT intended for use in implantation or other life support applications where malfunction may result in injury or death to persons. Source Photonics customers using or selling products for use in such applications do so at their own risk and agree to fully defend and indemnify Source Photonics for any damages resulting from such use or sale.

© **Copyright Source Photonics, Inc. 2007~2013**

All Rights Reserved.

All information contained in this document is subject to change without notice. The products described in this document are NOT intended for use in implantation or other life support applications where malfunction may result in injury or death to persons.

The information contained in this document does not affect or change Source Photonics product specifications or warranties. Nothing in this document shall operate as an express or implied license or indemnity under the intellectual property rights of Source Photonics or third parties. All information contained in this document was obtained in specific environments, and is presented as an illustration. The results obtained in other operating environments may vary.

THE INFORMATION CONTAINED IN THIS DOCUMENT IS PROVIDED ON AN "AS IS" BASIS. In no event will Source Photonics be liable for damages arising directly from any use of the information contained in this document.

Contact

SOURCE PHOTONICS
20550 NORDHOFF ST.
CHATSWORTH, CA 91311

sales@sourcephotonics.com

Tel: 818-773-9044 Fax: 818-576-9486

Or visit our website: <http://www.sourcephotonics.com>