



Made in USA

FEATURES / BENEFITS

- Rugged steel housing for use in harsh environments
- Adjustable pressure range from 0.25–15 psi
- Single pole double throw switch action
- Electrical rating up to 10 Amp, 125–480 VAC
- Reliable mechanical life

SPECIFICATIONS

MECHANICAL

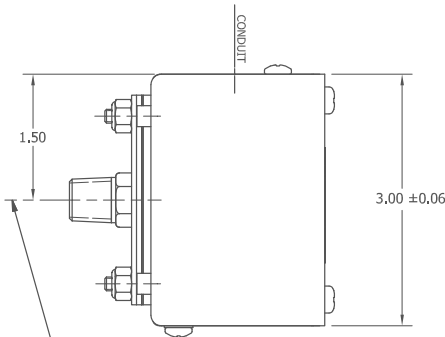
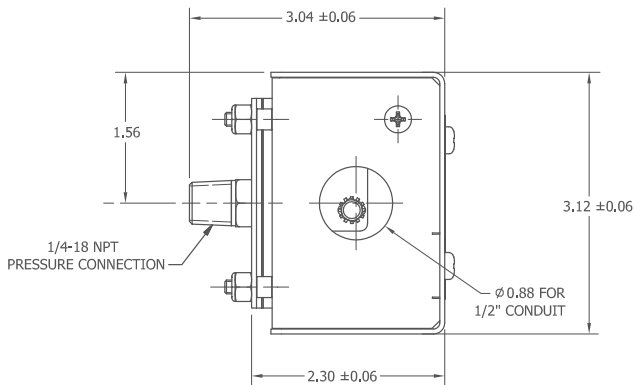
Set Point Ranges	0.25–15 psi (see below)
Dead Band	See Below
Proof Pressure	Up to 35 psi (dependant on range)
Mechanical Life	1,000,000 Cycles
Temperature Range	+40–125° F

PHYSICAL

Housing Material	Steel
Diaphragm	0.017 Thick Nitrile / Nylon Coated Fabric
Pressure Port	1/4–18 NPT Male
Electrical Connection	Screw Terminals
Weight	1.75 lbs

ELECTRICAL

Switch Type	SPDT Snap Action
Current Rating	10 A 125-480 VAC



FOR BEST RESULTS, MOUNT SWITCH WITH THIS CENTERLINE IN HORIZONTAL PLANE DIAPHRAGM WOULD THEN BE IN VERTICAL PLANE

Model Number	Part Number	Range	Deadband
161P1.0	D21545	0.25–1.00 psi	0.004–0.1 psi
161P1.3	D21546	0.25–1.30 psi	0.004–0.1 psi
161P5	D21547	0.25–5.00 psi	0.009–0.25 psi
161P10	D21548	0.50–10.00 psi	0.018–0.50 psi
161P15	D21549	0.75–15.00 psi	0.027–0.75 psi

161P SERIES