



est. 1947

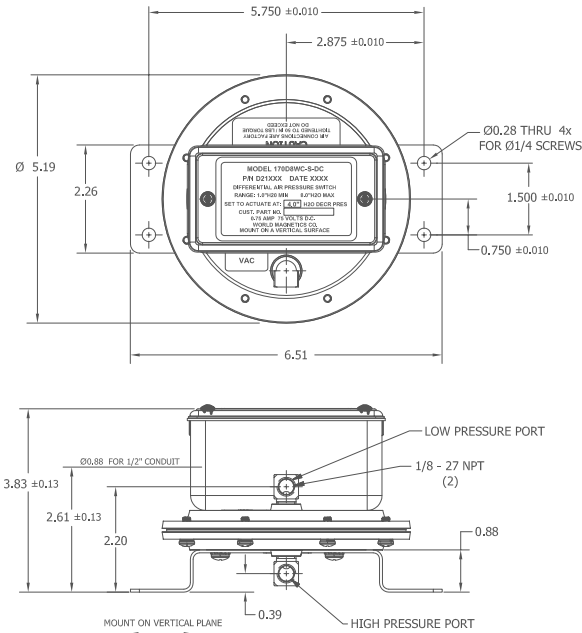
171D/170D Ultra Low Differential Pressure Switch

FEATURES / BENEFITS

- Rugged design for use in harsh environments
- Pressure ranges from 0.05"–40" H₂O (0.12–100 mbar)
- Shock and vibration resistance (MIL-S-901-D & MIL-STD-167-1)
- Chemical resistant epoxy finish available
- Suitable for high voltage/current applications



Made in USA



SPECIFICATIONS

MECHANICAL

Set Point Ranges	0.05"–40" H ₂ O (see below) (0.12–100 mbar)
Dead Band	Consult Factory
Proof Pressure	Up to 25 psi (dependant on model) Up to 1724 mbar
Mechanical Life	1,000,000 Cycles
Temperature Range	-30–160° F (-34–71°C)



PHYSICAL

Housing Material	Zinc Die Cast, Steel & Aluminum Stamping
Diaphragm	0.008" Nitrile/Nylon Cloth (model 170) or 0.005" Silicone PE Cloth (model 171)
Pressure Port	1/8–27 NPT Female
Electrical Connection	Screw Terminals
Weight	2.875 lbs (1.3 kg)

ELECTRICAL

Switch Type	SPDT Snap Action
Current Rating	See Below

Model Number – Part Number – Operating Range – Switch Current

170D8W-S	–	D21530	–	1.0–8.0" H ₂ O (2.5–20 mbar)	–	10 Amp 125 VAC
170D8W	–	D21531	–	2.0–8.0" H ₂ O (5.0–20 mbar)	–	15 Amp 125 VAC
170D20W	–	D21532	–	2.0–20" H ₂ O (5.0–50 mbar)	–	15 Amp 125 VAC
170D40W	–	D21533	–	2.0–40" H ₂ O (5.0–100 mbar)	–	15 Amp 125 VAC
171D8WC-S	–	D21540	–	0.05–8.0" H ₂ O (0.12–20 mbar)	–	10 Amp 125 VAC
171D8WC	–	D21541	–	0.15–8.0" H ₂ O (0.37–20 mbar)	–	15 Amp 125 VAC
170D8W-S-DC	–	D21564	–	1.0–8.0" H ₂ O (2.5–20 mbar)	–	0.75 Amp 75 VDC
170D8W-DC	–	D21536	–	2.0–8.0" H ₂ O (5.0–20 mbar)	–	0.75 Amp 75 VDC
170D20W-DC	–	D21537	–	2.0–20" H ₂ O (5.0–50 mbar)	–	0.75 Amp 75 VDC
170D40W-DC	–	D21538	–	2.0–40" H ₂ O (5.0–100 mbar)	–	0.75 Amp 75 VDC
171D8-WC-DC	–	D21542	–	0.15–8.0" H ₂ O (0.37–20 mbar)	–	0.75 Amp 75 VDC