



# ROCKER SWITCH

## Dimensions

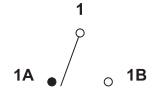
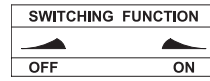
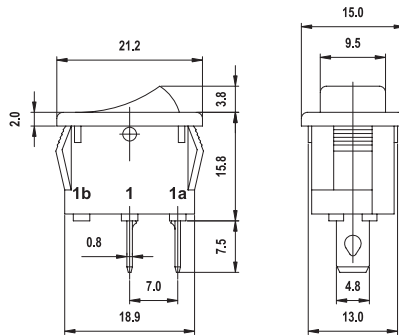
Unit: mm

Item

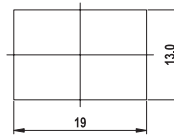
Operating Characteristics

Dimensions

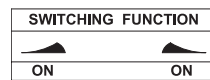
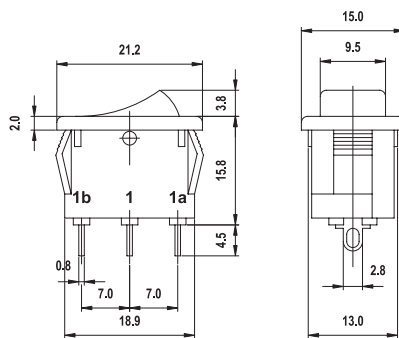
R9-22A



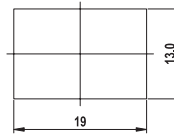
Panel hole size



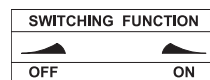
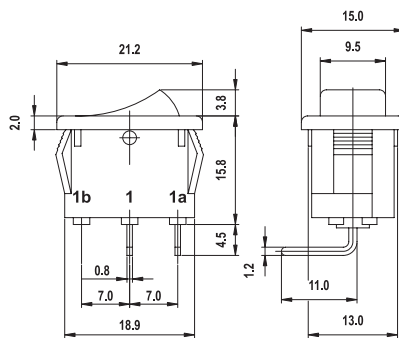
R9-33B



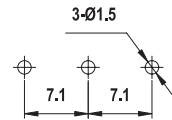
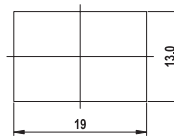
Panel hole size



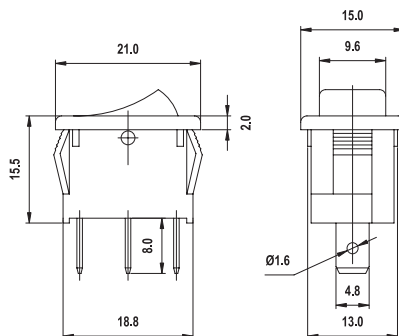
R9-24A



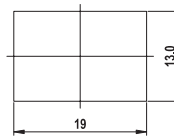
Panel hole size



R9-32F



Panel hole size



**HIGHLY**

F2

Design, specifications are subject to change without notice.