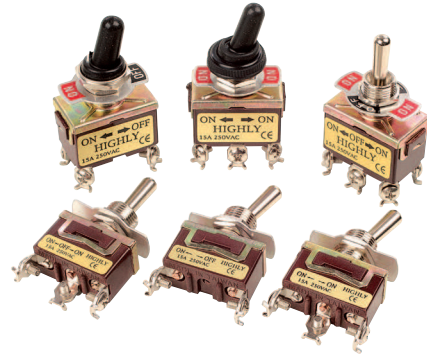


TOGGLE SWITCH

Features

- Power Switch conforms to safety standards for electrical equipment.
- Compact with a good space factor



Specifications

Item	Standard
Rating	10A 1250VAC / 15A 250VAC , UL1054
Contact Resistance	25mΩ max.(initial)
Dielectric Resistance	AC 1000V (50/60 Hz for 1 minute)
Insulation Resistance	100MΩ min (at 500 VDC)
Electrically Life	30,000 Cycle min
Mechanically Life	100,000 Cycle min

Product Selection

T-

1 2 3

1.CONTACT TYPES

11: 2P ON-OFF	SPST
12: 3P ON-ON	SPDT
13: 3P ON-OFF-ON	SPDT
21: 4P ON-OFF	DPST
22: 6P ON-ON	DPDT
23: 6P ON-OFF-ON	DPDT

2. TERMINAL TYPES

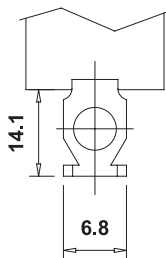
A: SOLDER
B: SCREW
C: #250 QUICK CONNECT

3. RATING TYPES

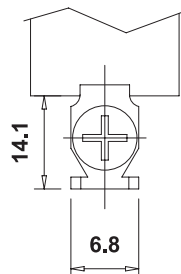
_: 10A 250VAC
S: 15A 250VAC

Terminal Dimension

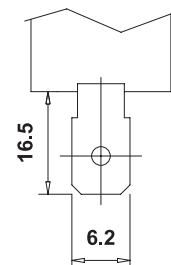
A: SOLDER TYPE



B: SCREW TYPE



C: #250 QUICK CONNECT TYPE



HIGHLY

E1

Design, specifications are subject to change without notice.

TOGGLE SWITCH

Dimensions

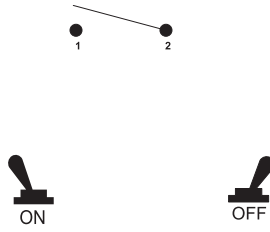
Unit: mm

Item

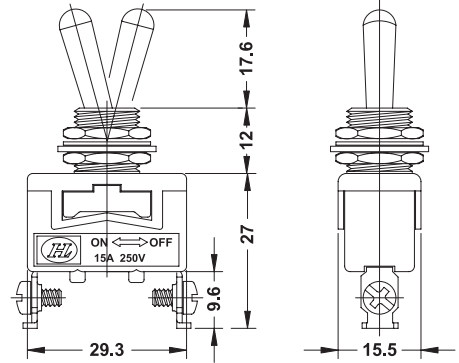
Operating Characteristics

Dimensions

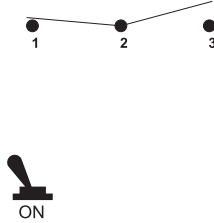
T-11



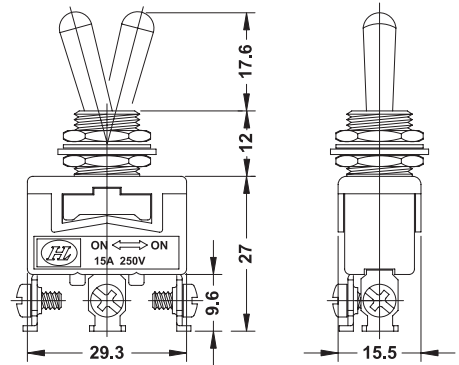
2P SPST



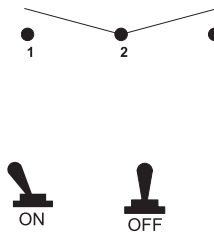
T-12



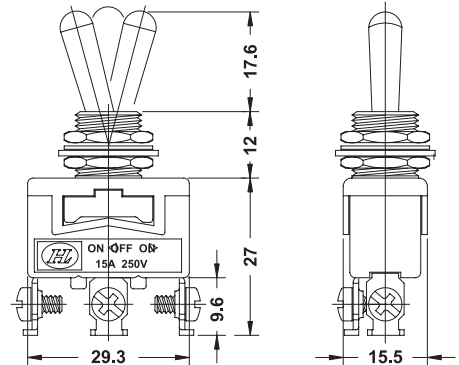
3P SPDT



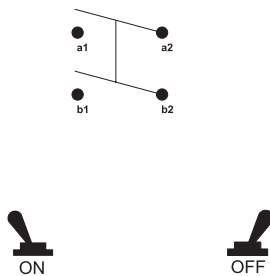
T-13



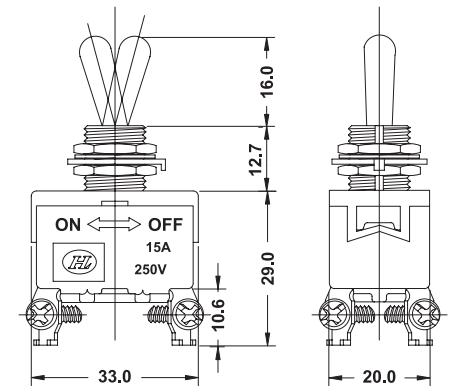
3P SPDT



T-21



4P DPST



HIGHLY

E2

Design, specifications are subject to change without notice.

TOGGLE SWITCH

Dimensions

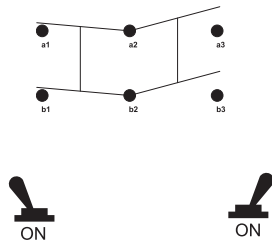
Unit: mm

Item

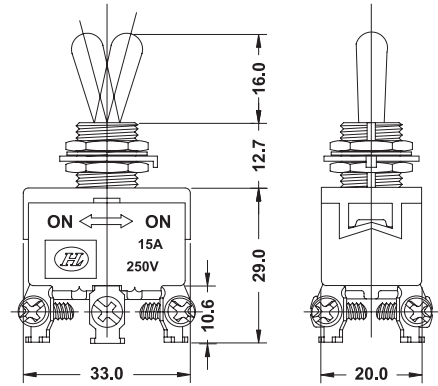
Operating Characteristics

Dimensions

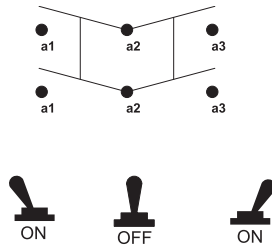
T-22



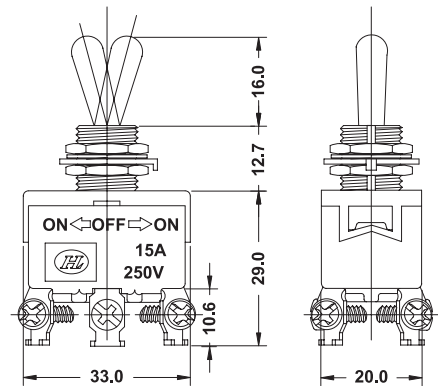
6P DPDT



T-23



6P DPDT



TR-1



HIGHLY

E3

Design, specifications are subject to change without notice.