

LIMIT SWITCH

Features

- High precision and metal die-casting body.
- Easy to wire connection construction
- High mechanical strength
- Dust-proof construction



Specifications

Item	Standard
Rating	10A, 125V or 250VAC
Contact Resistance	25mΩ max. (initial)
Insulation Resistance	100MΩ min. (at 500VDC)
Dielectric Strength	1,000VAC, 50/60Hz for 1 minute
Service Life Mechanically	1,000,000 operations min.
Service Life Electrically	100,000 operations min.

Product Selection

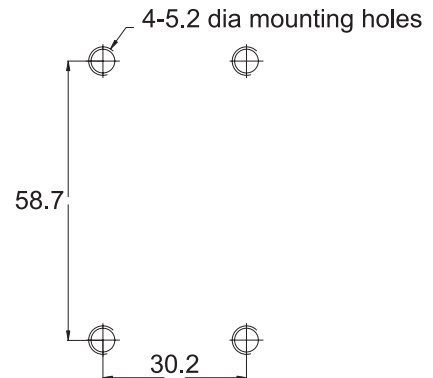
WL□

1

1. HEAD AND ACTUATOR

- 5101: Push plunger type
- 5102: Roller plunger type
- 5104: Roller arm type
- 5105: Duble roller arm type
- 5106: Wobble stick type
- 5107: Rod lever type
- 5108: Adjustable roller arm type (standard roller)
- 5109: Push plunger type

Mounting Hole



Contact Configuration



LIMIT SWITCH

Operating Characteristics

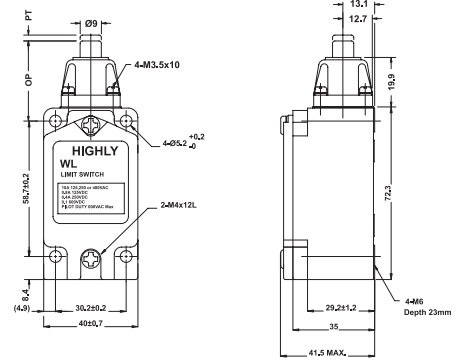
Unit: mm

Item Operating Characteristics Dimensions

WL5101



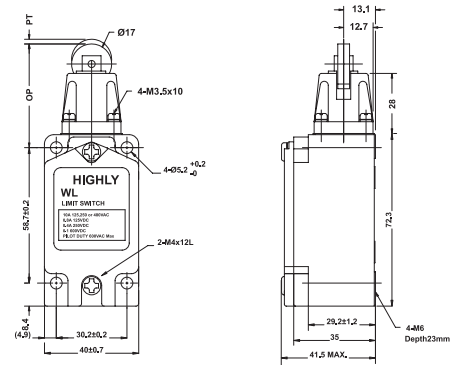
OF max.	2,720g
RF min.	910g
PT max.	1.7 mm
OT min.	6.4 mm
MD max.	1 mm
TF max.	--
TT/OP min.	34 ± 0.8 mm



WL5102



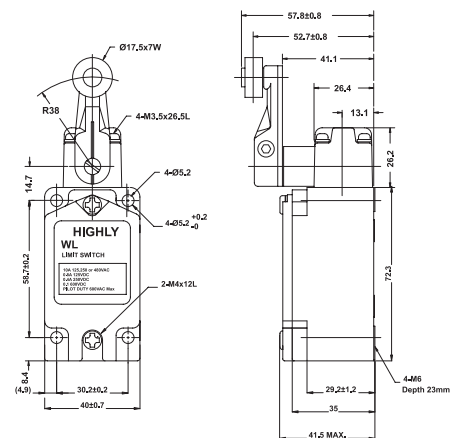
OF max.	2,720g
RF min.	910g
PT max.	1.7 mm
OT min.	5.6 mm
MD max.	1 mm
TF max.	--
TT/OP min.	44 ± 0.8 mm



WL5104



OF max.	1360g
RF min.	227g
PT max.	20°
OT min.	30°
MD max.	12°
TF max.	2,720g
TT/OP min.	50°



LIMIT SWITCH

Operating Characteristics

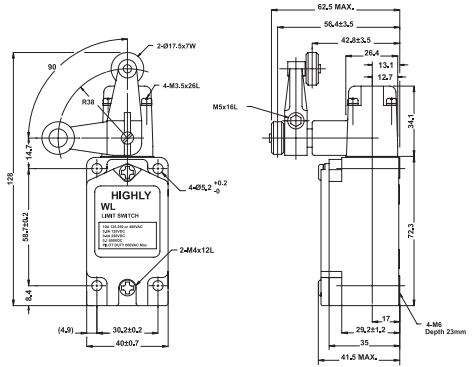
Unit: mm

Item	Operating Characteristics	Dimensions
------	---------------------------	------------

WL5105



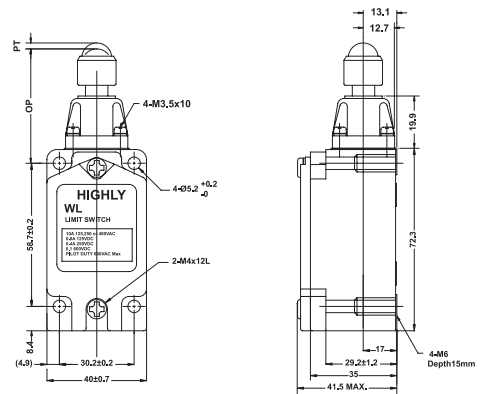
OF max.	1,200g
RF min.	--
PT max.	50° ± 5°
OT min.	35°
MD max.	--
TF max.	--
TT/OP min.	90° ± 10°



WL5109



OF max.	2,720g
RF min.	910g
PT max.	1.7 mm
OT min.	6.4 mm
MD max.	1 mm
TF max.	--
TT/OP min.	44 ± 0.8 mm



Overtravel type

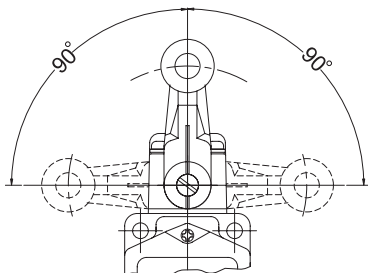
The overtravel type is a limit switch which is provided with a greater OT to facilitate dog setting. Since this type is identical to the Basic Type in dimensions, both types are interchangeable.

-2 Series

The head of -2 series switch can be installed in any of the four directions.

90° operation on only one side - impossible

90° operation on either side - possible



Operating Characteristics	Type	WL 5104-2	WL 5108-2	WL 5107-2
	OF (max.)		900g	900g
RF (min.)		50g	50g	14g
PT (max.)		30°	30°	30°
OT (min.)		60°	60°	60°
MD (max.)		16°	16°	16°