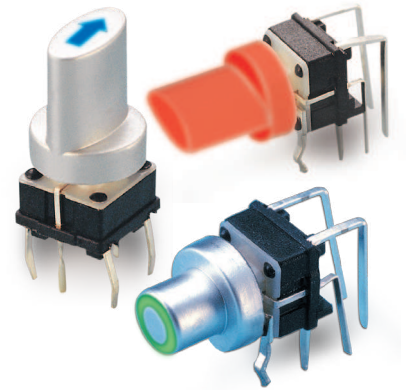


» **Features**

- Snap-in type, can be mounted directly on P.C.B Board.
- Parts of output terminals can be used as jumper lead, facilitating circuit design.
- Many LED lights are available.
- Various symbols can be engraved on the cap.
- Any customization for cap & symbol is welcomed.



» **Applications**

- Operating switches in all types of electronic equipment such as audio apparatus, office equipment, communications apparatus, TV sets, VCRs, etc.

» **Specifications**

Rating	50mA 12VDC
Insulation Resistance	100MΩ Min (at 500 VDC)
Dielectric Strength	AC 250V (50/60 Hz for 1 minute)
Contact Resistance	100mΩ Max. (Initial)
Electrically Life	300,000 Cycles Min
Ambient Temperature	-25°C~ +70°C
Operating Force	160 ± 50gf

» **LED Specifications**

Color	VR	IF	Recommended Operating Current	VF	
				Nom	Max
Red	DC 5V	20mA	20mA	1.7V	2.4V
Green	DC 5V	20mA	20mA	1.9V	2.4V
Yellow	DC 5V	20mA	20mA	1.9V	2.4V
Blue	DC 5V	20mA	20mA	3.0V	3.6V
White	DC 5V	20mA	20mA	3.0V	3.6V

For the specification about the other LEDs, please contact with sales department

» **Product selection**

PB 615

BUTTON TYPE		FUNCTION		LED BRIGHTNESS		LASER ETCHING		
1		Non-LED		-	Standard	01		
2		-	Standard Type (2P)	C	High Brightness	02		
6		H	Standard Type (4P)			03	OK	
		M	SMT Type ML (2P)			04		
		HM	SMT Type HML (4P)			05		
		R	Right Angle			06		
		RS	Right Angle (+Fix)			07		
		LED				08		
		L	Standard Type (2P)			09		
		HL	Standard Type (4P)			10		
		ML	SMT Type (2P)			Please inquire about the deals with our sales representative.		
		HML	SMT Type (4P)					
		RL	Right Angle					
		RSL	Right Angle (+Fix)					
				LED COLOR		CAP COLOR		
				1		Red	1	Misty Silver
				2		Yellow	2	Bright Silver
				3		Green	3	Gold
				4		Blue	4	White
				5		White	5	Bright Black
				6		Pure Green	6	Red
				7		RGB	7	Misty Black
				8		Amber	8	Sky blue
				9		Blue Green	9	Gunme black
				10		Pink	A	Orange
				011		Purple		
				12		Red/Yellow		
				13		Red/Green		
				14		Red/Blue		
				23		Yellow/Green		
				48		Blue/Amber		
				52		White/Yellow		
				58		White/Amber		
				-	Non-LED	Non-LED		

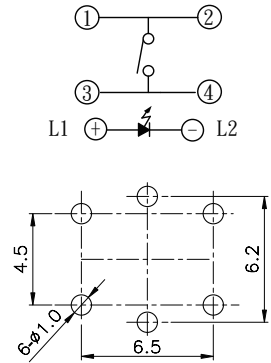
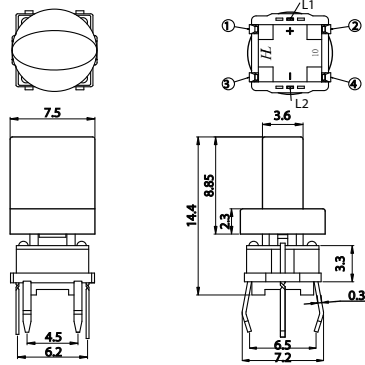
» Operating characteristics

Unit: mm

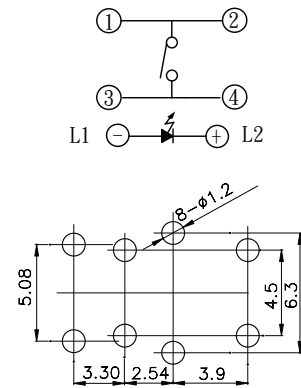
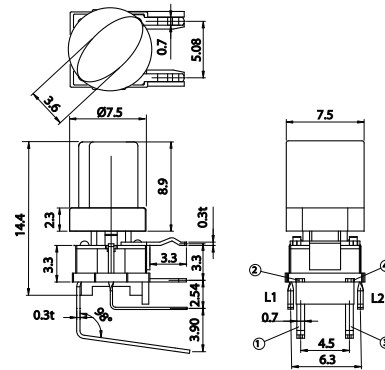
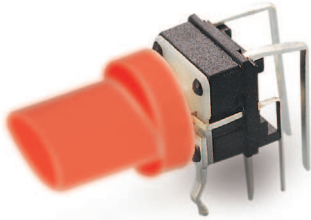
Dimensions

P.C.B Layout

PB6151L-□-104



PB6152RSL



PB6156RSL-□-102

