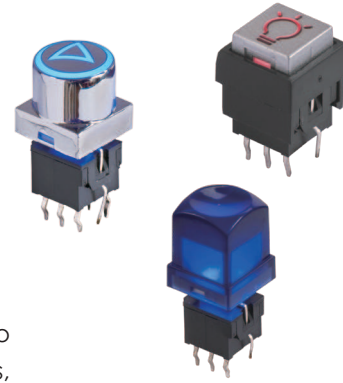


» Features

- Clip type contacts are applied to ensure high reliability.
- Terminals are all IC pitched (multiple of 2.54mm). By a particular terminal shape, the switch tightly when solder-dipped.
- Protection from Flux Entry Terminals are all completely sealed by epoxy.
- Many LED lights are available.
- Various symbols can be engraved on the cap
- Any customization for cap & symbol is welcomed.



» Applications

- Operating switches in all types of electronic equipment such as audio apparatus, office equipment, communications apparatus, TV ets, VCRs, etc.

» Specifications

Rating	0.1A 30VDC
Insulation Resistance	100MΩ Min (at 500 VDC)
Dielectric Strength	AC 500V (50/60 Hz for 1 minute)
Contact Resistance	50mΩ Max. (Initial)
Electrically Life	10,000 Cycles Min
Ambient Temperature	-10°C~ +80°C
Operating Force	150 ± 100gf (Momentary)
	250 ± 100gf (Alternate)
	200 ± 100gf (Momentary With Click)

» LED Specifications

Color	VR	IF	Recommended Operating Current	VF	
				Nom	Max
Red	DC 5V	20mA	20mA	1.7V	2.4V
Green	DC 5V	20mA	20mA	1.9V	2.4V
Yellow	DC 5V	20mA	20mA	1.9V	2.4V
Blue	DC 5V	20mA	20mA	3.0V	3.6V
White	DC 5V	20mA	20mA	3.0V	3.6V

For the specification about the other LEDs, please contact with sales department

» Product selection

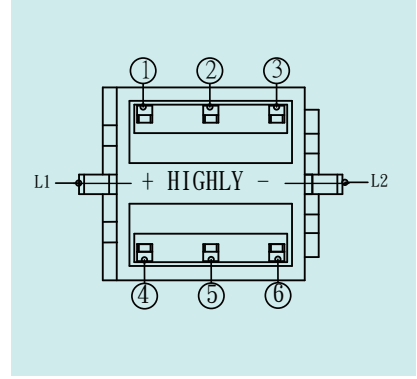
PB 613

BUTTON TYPE	FUNCTION	LED	FRAME	LED COLOR	CAP COLOR	LASER ETCHING
1F	A Alternate	- Non-LED	- Without	1	1 Misty Silver	01
2F	B Momentary	L LED	F With frame	2	2 Bright Silver	02
3F	C Momentary with click			3	3 Gold	03
4F				4	4 White	04
5F				5	5 Bight Black	05
6F				6	6 Red	06
01				8	7 Misty Black	07
02				9	8 Sky blue	08
03				10	9 Gunme black	09
04				011	A Orange	10
05				12		
07				13		
				14		
				23		
				48		
				52		
				58		
				- Non-LED		

Please inquire about the deals with our sales representative.

» **Circuit**

Type	Switch Action		
PB613A	Normal ON	Push to lock ON	
Connecting Terminal	1 - 2 4 - 5	2 - 3 5 - 6	
PB613B	Normal ON	Push (ON)	
Connecting Terminal	1 - 2 4 - 5	2 - 3 5 - 6	
LED Circuit			



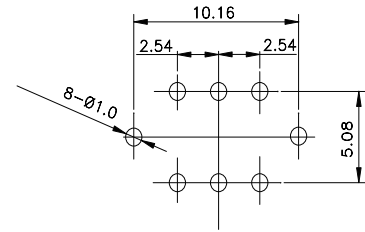
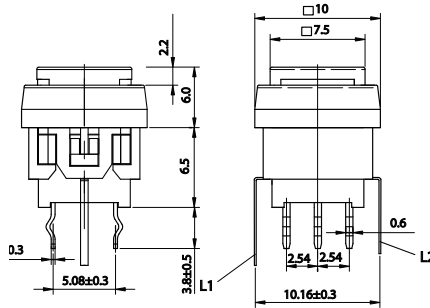
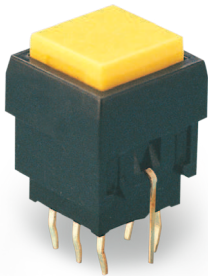
» **Operating characteristics**

Unit: mm

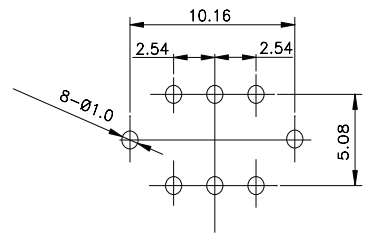
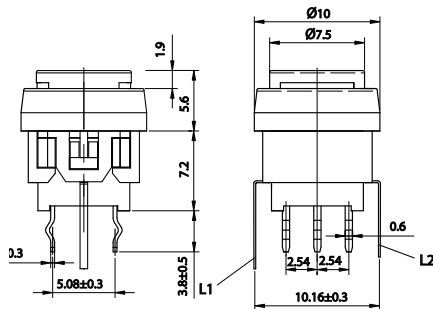
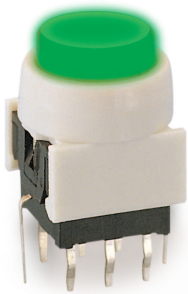
Dimensions

P.C.B Layout

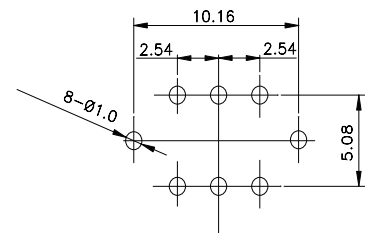
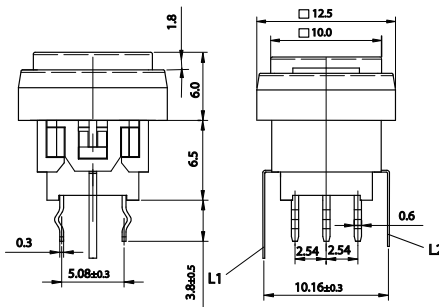
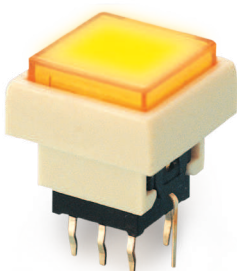
PB6131F □ L



PB6132F □ L



PB6133F □ L



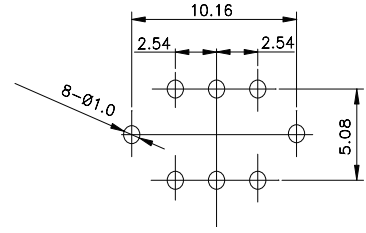
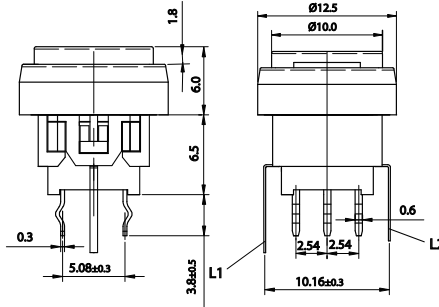
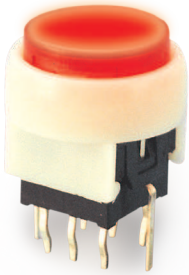
» Operating characteristics

Unit: mm

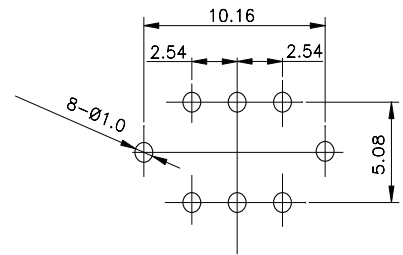
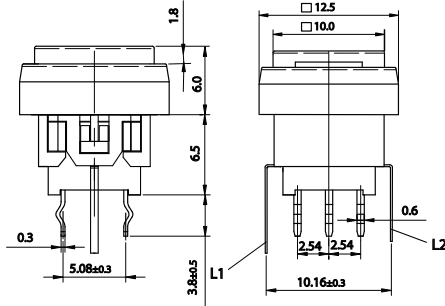
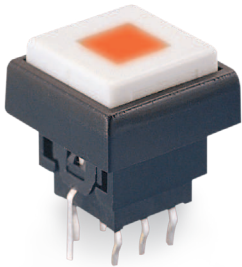
Dimensions

P.C.B Layout

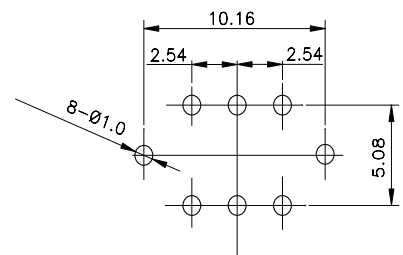
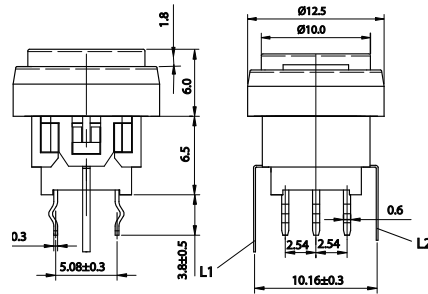
PB6134F □ L



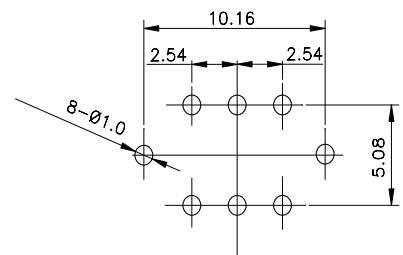
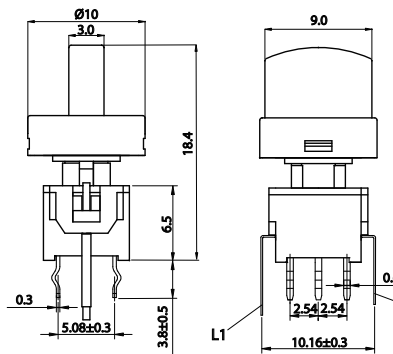
PB6135F □ L



PB6136F □ L



PB61301 □ L



PB 613 SERIES PUSH SWITCHES

ILLUMINATED

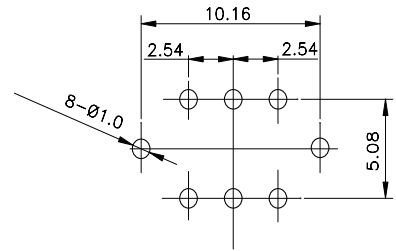
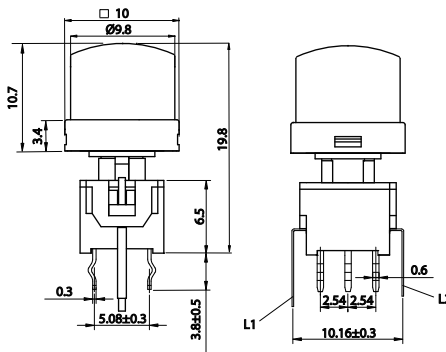
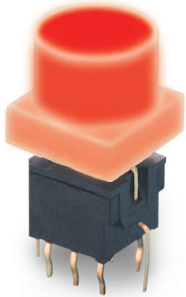
» Operating characteristics

Unit: mm

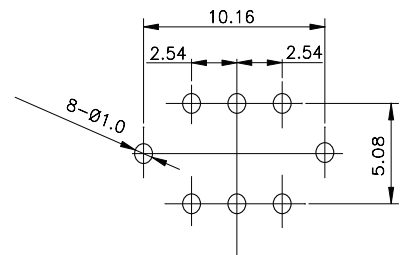
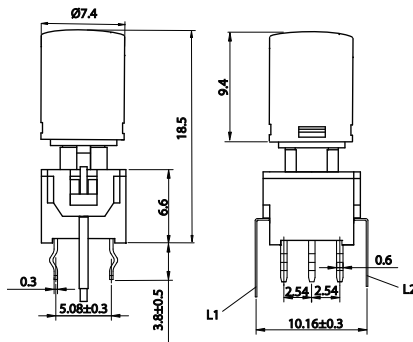
Dimensions

P.C.B Layout

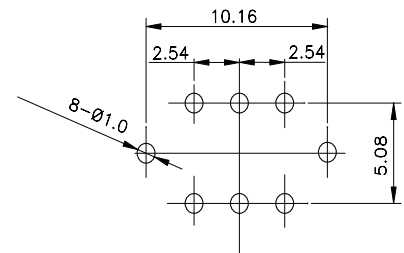
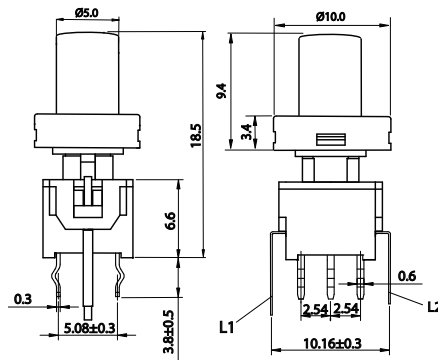
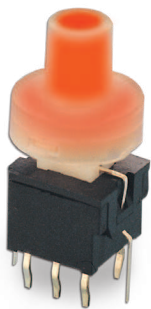
PB61302 □ L



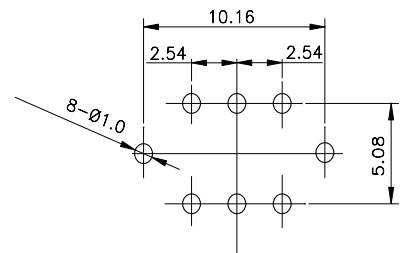
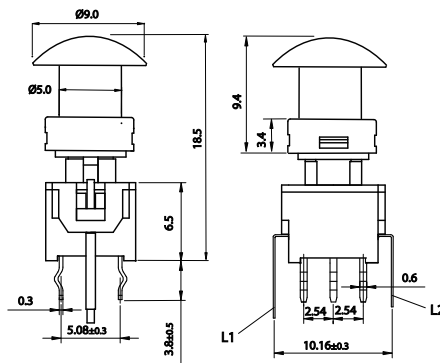
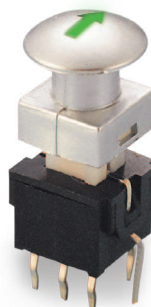
PB61303 □ L



PB61304 □ L



PB61305 □ L



» Operating characteristics

Unit: mm

Dimensions

P.C.B Layout

PB61307 □ L

