



Product Data Sheet

TS5622VU-DVD Diaphragm Valve

The TS5622VU-DVD Diaphragm Valves is designed to dispense low to medium viscosity fluids with precision accuracy over a wide range of shot and bead sizes, down to a fraction of a micro liter. An internal spring return makes the valves fully adaptable for use with Techcon Systems controllers. A short opening stroke provides extremely fast, positive shut-off. An external stroke control adjustment makes it easy for the operator to fine tune shot sizes. The compact design allows for mounting flexibility and easy integration into automated applications.

The seal-less valve design features excellent moisture sensitive resistance and the incorporated UHMWPE (Ultra High Molecular Weight Polyethylene) diaphragm creates a barrier between the wetted parts and the air cylinder. The stainless steel fluid housing, with an optimised fluid path, is compatible with a variety of chemicals, especially UV cure adhesives, resins and lacquers used in the manufacture of DVDs and CDs.

The valve is shipped with the following items:

- Mounting bracket kit
- Valve air hose
- Luer lock fluid line
- Fluid inlet fittings - 1/4" compression and Luer lock type
- Dispensing tip selection pack

TYPICAL APPLICATIONS

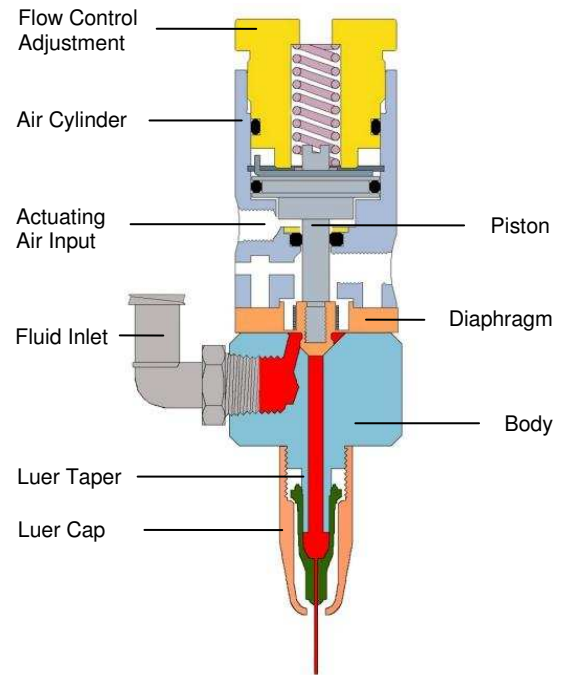
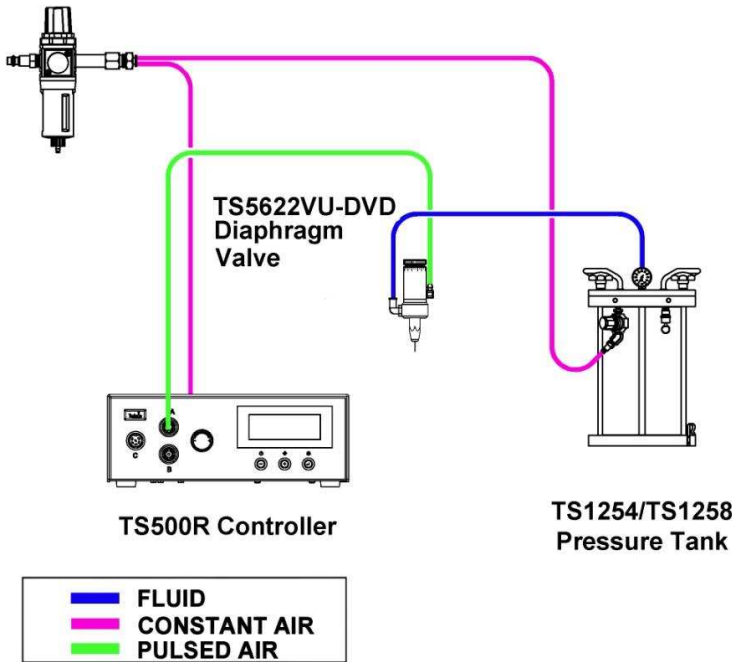
- Dispensing UV adhesive in medical device bonding
- Dispensing a controlled amount of UV fluid in badge doming
- Applying a of UV lacquer in CD/DVD spin coating applications

KEY FEATURES AND BENEFITS

- Optimized fluid path
- Compact size and weight
- Excellent moisture sensitive resistance
- Luer taper and cap for easy tip integration



TYPICAL SETUP



SPECIFICATIONS & PART NUMBERS

Part Number:	TS5622VU-DVD
Size (Imperial):	3.45" Length x 1.06"
Size (Metric):	87.8mm x 26.9mm
Weight:	0.26 lb (120g)
Fluid Inlet Port:	1/8" NPT female
Fluid Outlet Port:	Luer taper and cap
Aux Air Inlet Port:	10-32 UNF female
Activation Pressure Range:	70 psi - 90 psi (4.8bar - 6.2bar)
Max Fluid Pressure:	70 psi (4.8bar)
Operating Frequency:	500+ cycles/min.
Mounting Port:	10-32 UNF female
Viscosity Range:	1 - 50 000cps

Wetted Parts: 303 SS, UHMWPE
(UHMWPE = Ultra High Molecular Weight Polyethylene)

ACCESSORIES

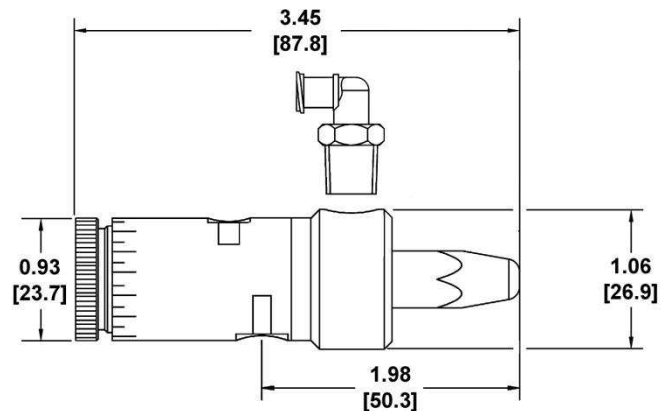
- **Fluid reservoirs:** The valve can be fed from the TS1254 or TS1258 Pressure Tank, or from any size syringe barrel or cartridge.
- **Dispensing Tips:** Precision TE Series dispensing tips are required for this valve type. For the complete dispensing tip offering please visit www.techconsystems.com



LOCAL DISPENSING SOLUTIONS WORLDWIDE



Dimensions are in inches [mm]



For Sales and Support:

Techcon Systems Corporate Headquarters,
12151 Monarch Street, Garden Grove,
California, 92841, USA.

Tel: 1-714-230-2398, Fax: 1-714-230-2393

E-mail: [OEMorders@okinternational.com](mailto: OEMorders@okinternational.com)

Techcon Systems European Corporate Office,
Eagle Close, Chandler's Ford Industrial Estate,
Eastleigh, Hampshire, SO53 4NF, UK.

Tel: +44 2380 489 100, Fax: +44 2380 489 109

E-mail: [europe-orders@okinternational.com](mailto: europe-orders@okinternational.com)

Or visit www.techconsystems.com